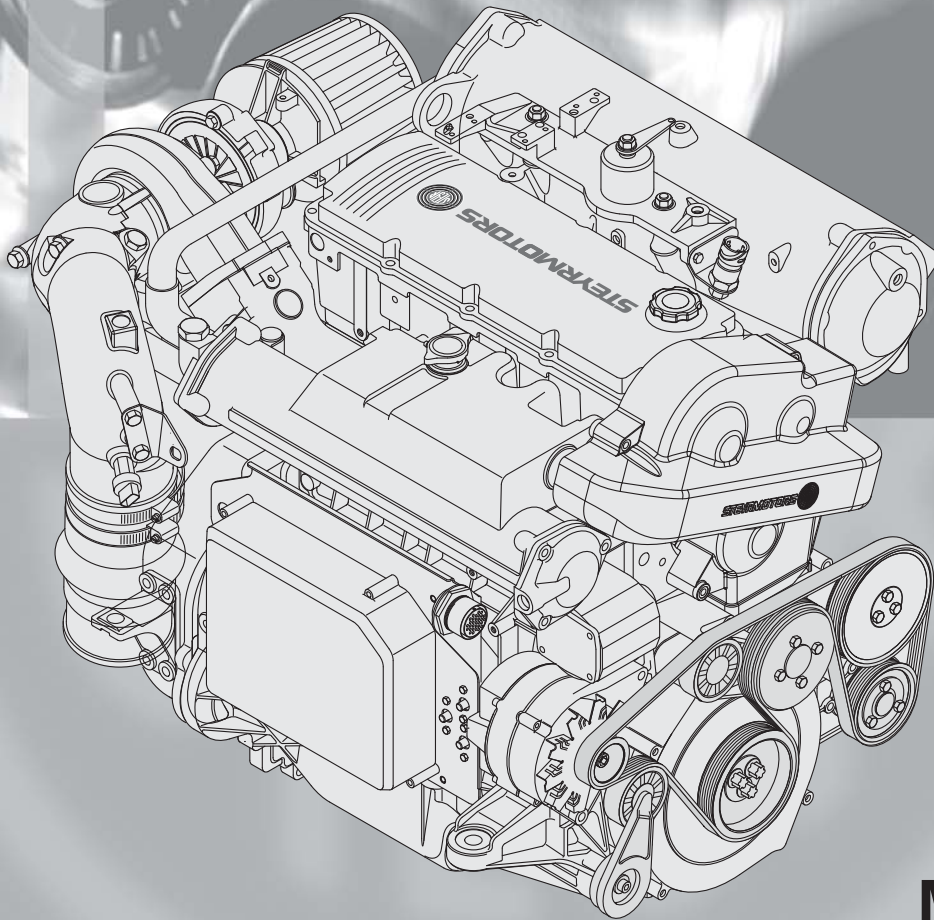




STEYR MARINE ENGINES

164 MARINE
TURBO DIESEL
+ SOLAS



MO164M40

Serial no.: 48219 001 -->

SPARE PARTS CATALOGUE

P/N Z001015-0 6th Edition, May 2014

TEL ++43 / 7252 / 222 / 20

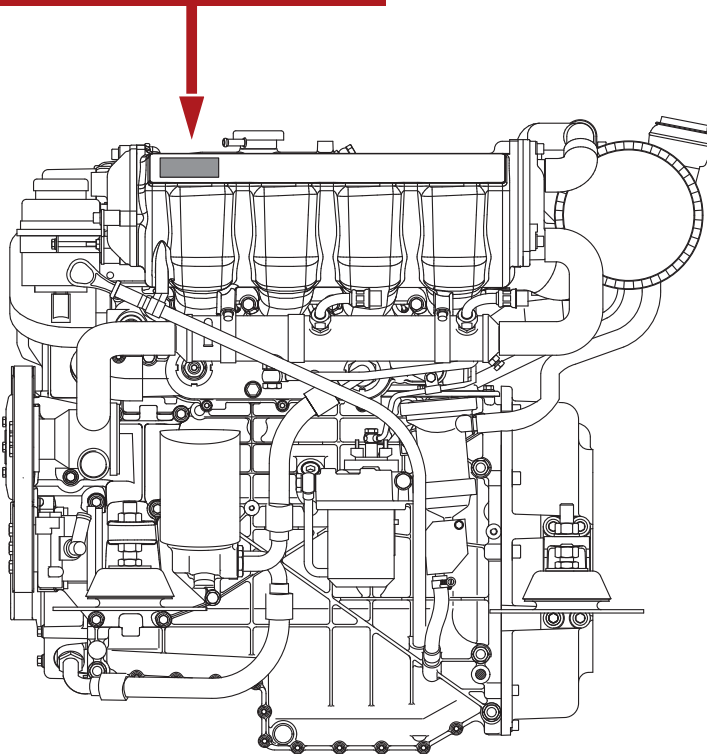
FAX ++43 / 7252 / 222 / 29

@ e.sales@steyr-motors.com

When ordering spare parts are always indicate serial engine number.
This will speed up delivery and help to avoid mistakes.

The primary model and serial number is located on the engine as illustrated. These numbers are required when requesting warranty and ordering parts.

Model identification



07001

Substituting automotive or generally supplied parts and hardware will often result in less than desired performance. For this reason, you should insist on the known quality of genuine STEYR Marine matched replacement parts, and should never use parts of unknown quality.

We reserve the right to make changes in design and execution which incorporate advances in technology!



SIGNS AND SYMBOLS

1

2

3	4	5	6	8	9	7
Pos.	Part.-No.	Qty	Designation			Step
24	Z002676-0	1	SPARE PART COVER T-BELT →48226146			.2
26	2203711-1	1	COVER T-BELT, UPPER PART 48226147→			.2
28	9000538-0	3	HEX.FLANGE BOLT EN 1665-M6x50 A2-70			.2

- 1 Table number
- 2 Partlist number for whole table/functional groups
- 3 Positions number
- 4 Spare part number
- 5 Quantity for one engine respectively assembly group
- 6 Designation and description of spare part
- 7 Groupparts are marked with a circle around the position number. Parts in the list below these, which had an increased step number by one, will be included at delivery.
- 8 → 4..... Arrow before engine number:
Spare part UNTIL and LOWER
- 9 4..... → Arrow past engine number:
Spare part FROM and HIGHER

ACROBAT

... back to "starting point"

... one page back

... one page forward





TABLE OF CONTENTS - SPARE PARTS CATALOGUE

<p>TA 0100 Page 12 MOUNT BRACKET, LIFTING EYE, GASKET SET</p>	<p>TA 0101 Page 14 CRANKCASE</p>	<p>TA 0102 Page 16 CRANKSHAFT, BEARING, DAMPER</p>
<p>TA 0103 Page 18 FLYWHEEL, FLYWHEELHOUSING</p>	<p>TA 0104 Page 22 PISTON, RINGS AND PIN, CONNECTION ROD</p>	<p>TA 0105 Page 24 CAMSHAFT, HOUSING</p>
<p>TA 0106 Page 28 OILPUMP, OILPIPE, OILPAN</p>	<p>TA 0108 Page 32 INTERCOOLER</p>	<p>TA 0109 Page 34 POWER TAKE OFF FRONT</p>





TABLE OF CONTENTS - SPARE PARTS CATALOGUE

164 MARINE
TURBO DIESEL
+ SOLAS

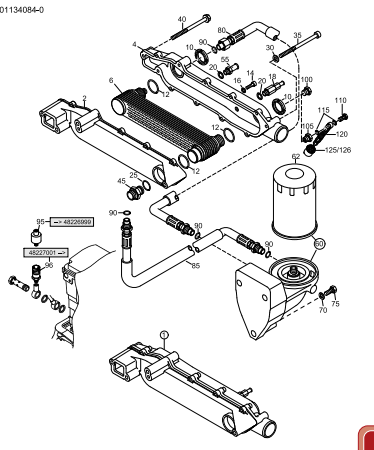

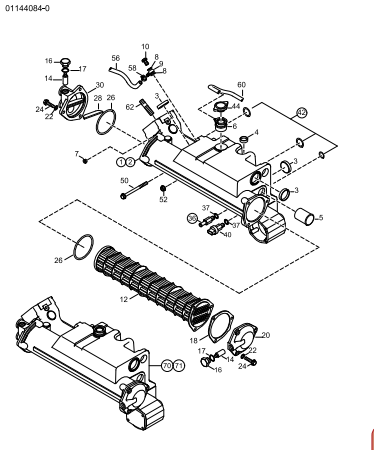

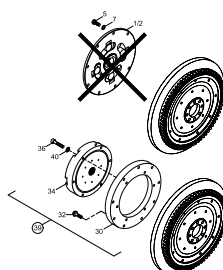

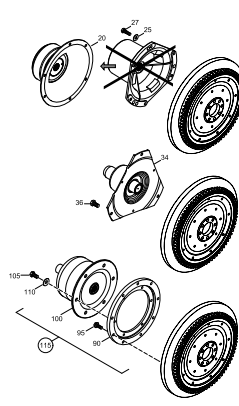

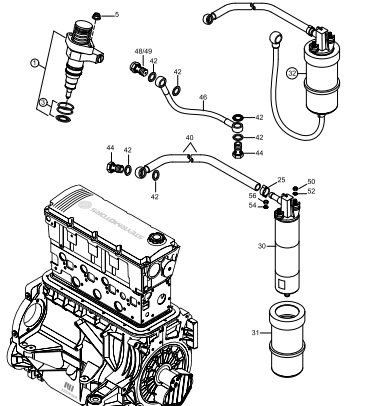

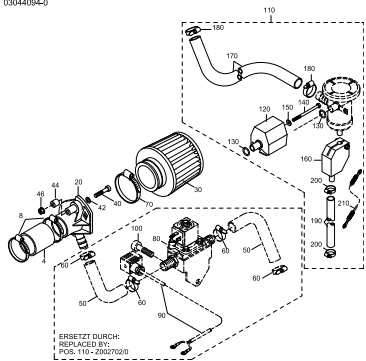

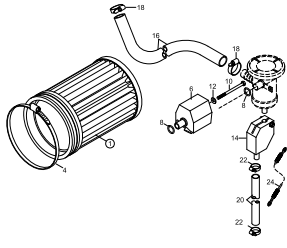

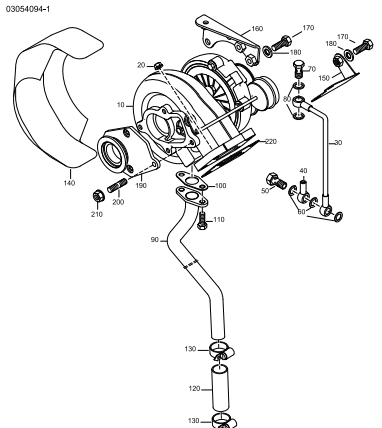

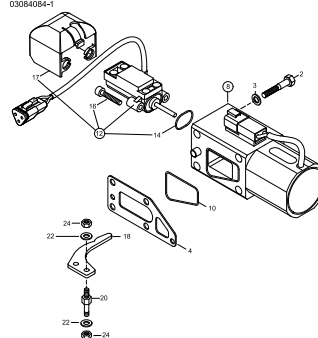

<p>TA 0113 Page 36 OILCOOLER</p>  <p>01134084-0</p> 	<p>TA 0114 Page 40 EXHAUST, HEAT EXCHANGER, GASKET</p>  <p>01144084-0</p> 	<p>TA 0201 Page 44 COUPLER</p>  <p>02014084-1</p> 
<p>TA 0201 Page 46 COUPLER</p>  <p>02014084-3</p> 	<p>TA 0302 Page 48 FUEL PUMP, UNIT INJECTOR, PIPE</p>  <p>03024084-0</p> 	<p>TA 0304 Page 50 AIRFILTER --> 48228079</p>  <p>03044084-0</p> <p>ERSETZT DURCH: REPLACED BY: POS. 110 - 23037020</p> 
<p>TA 0304 Page 52 AIRFILTER 48228080--></p>  <p>03044084-1</p> 	<p>TA 0305 Page 54 TURBO</p>  <p>03054084-1</p> 	<p>TA 0308 Page 56 CONTR. SOLENOID, POTENTIOMETER</p>  <p>03084084-1</p> 





TABLE OF CONTENTS - SPARE PARTS CATALOGUE

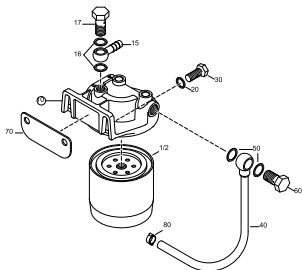

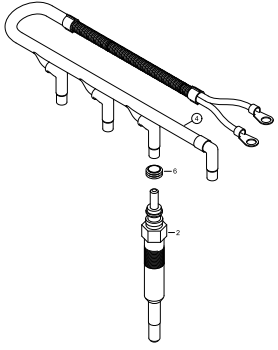

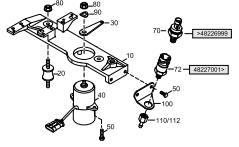
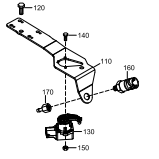

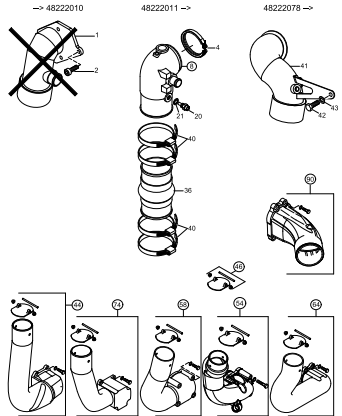

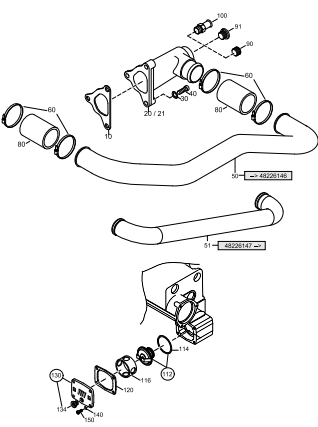

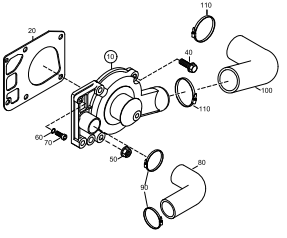

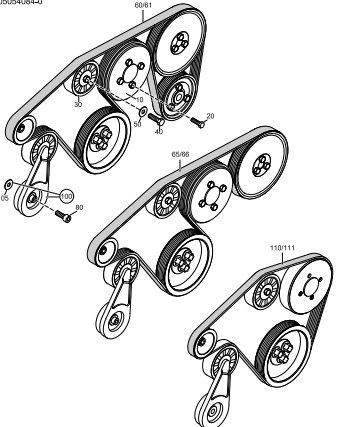

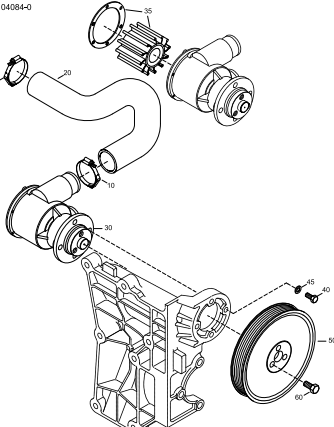

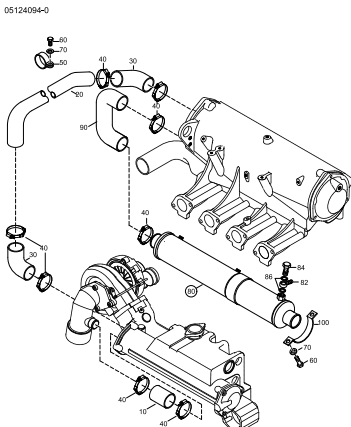

<p>TA 0309 Page 58 FUEL FILTER</p> <p>03094084-1</p>  	<p>TA 0311 Page 60 GLOW PIN</p> <p>03114084-0</p>  	<p>TA 0312 Page 62 POT. ACCELE., BOOST PRESSURE SENSOR</p> <p>03124094-0</p> <p>TILL 482330249 →</p>  <p>FROM 482330250 →</p>  
<p>TA 0401 Page 64 HIGH RISER, EXHAUSTPIPE</p> <p>04014094-0</p> <p>→ 48222010 48222011 → 48222078 →</p>  	<p>TA 0503 Page 66 WATERPIPE, THERMOSTAT</p> <p>05034084-0</p>  	<p>TA 0504 Page 68 WATERPUMP</p> <p>05044084-0</p>  
<p>TA 0505 Page 70 DRIVE BELTS, PULLEYS, TENSIONER</p> <p>05054084-0</p>  	<p>TA 0510 Page 72 RAW WATER PUMP</p> <p>05104084-0</p>  	<p>TA 0512 Page 74 RAW WATER PIPES, FUEL-OIL COOLER</p> <p>05124094-0</p>  





TABLE OF CONTENTS - SPARE PARTS CATALOGUE

164 MARINE
TURBO DIESEL
+ SOLAS

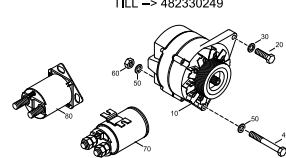
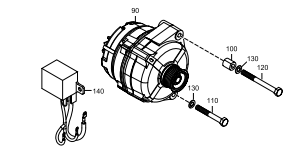
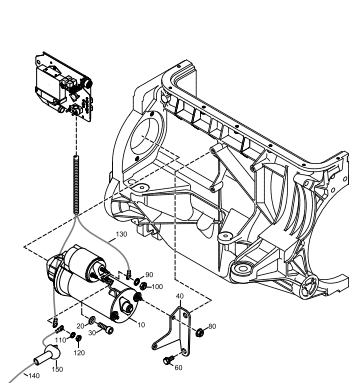
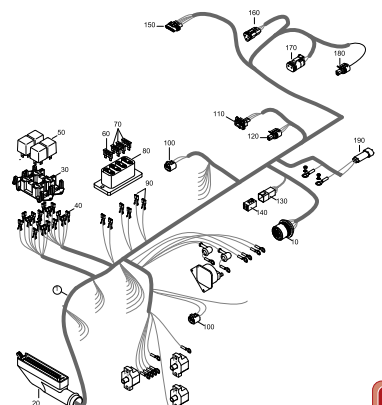
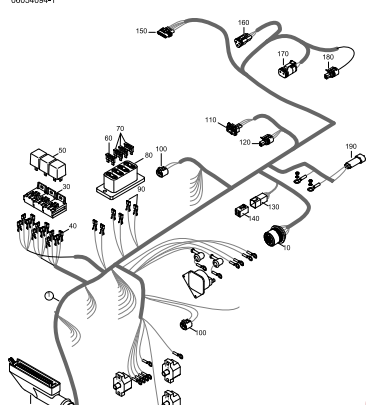
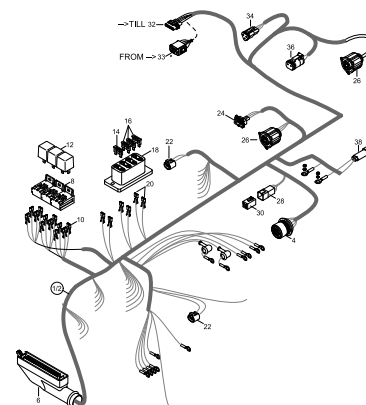
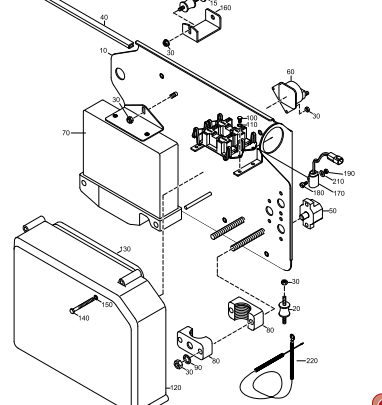
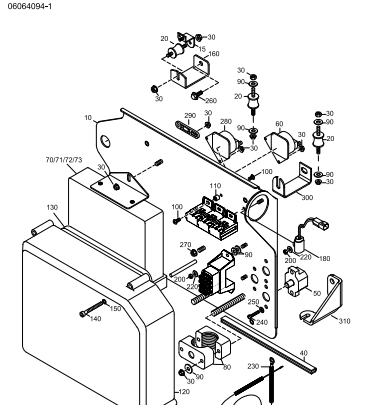
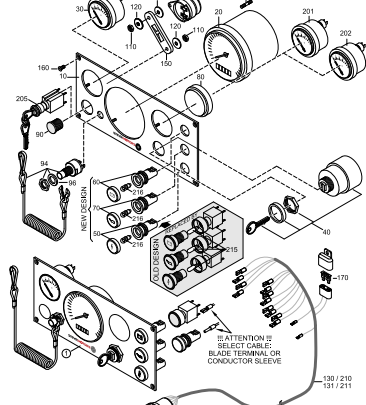
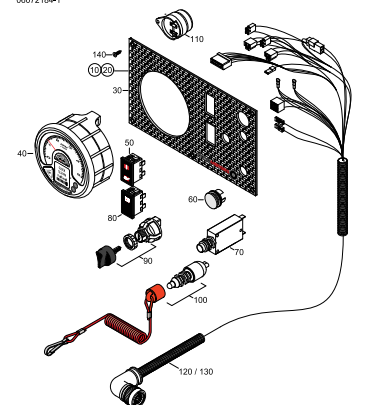
<p>TA 0601 Page 76 ALTERNATOR</p> <p>06014084-0</p> <p>TILL -> 482330249</p>  <p>FROM 482330250 -></p> 	<p>TA 0603 Page 78 STARTING</p> <p>06034084-0</p> 	<p>TA 0605 Page 80 ENGINE HARNESS</p> <p>--> 48221107</p> <p>06054084-0</p> 
<p>TA 0605 Page 82 ENGINE HARNESS</p> <p>48221108 --> 48226999</p> <p>06054084-1</p> 	<p>TA 0605 Page 84 ENGINE HARNESS</p> <p>48227001 --></p> <p>06054084-2</p> <p>->TILL 32</p> <p>FROM -> 33</p> 	<p>TA 0606 Page 86 SECURETSYSTEM, FUSES, ECU, E-BOX</p> <p>--> 48221107</p> <p>06064084-0</p> 
<p>TA 0606 Page 88 SECURETSYSTEM, FUSES, ECU, E-BOX</p> <p>48221108 --></p> <p>06064084-1</p> 	<p>TA 0608 Page 92 INSTRUMENT PANEL (STANDARD)</p> <p>06084084-0</p> <p>TILL -> 2010</p>  <p>ATTENTION !! SELECT CABLES BLADE TERMINAL OR CONDUCTOR SLEEVE</p>	<p>TA 0607 Page 94 INSTRUMENT PANEL (STANDARD)</p> <p>FROM 2010--></p> <p>06072184-1</p> 





TABLE OF CONTENTS - SPARE PARTS CATALOGUE

<p>TA 0609 Page 96 INSTRUMENT PANEL SOLAS (STANDARD)</p> <p>TILL -->2010</p> <p>06094084-0</p>	<p>TA 0609 Page 98 INSTRUMENT PANEL SOLAS (STANDARD)</p> <p>FROM 2010--></p> <p>06092184-1</p>	<p>TA 0610 Page 100 DISPLAY</p> <p>06106184-2</p>
<p>TA 0611 Page 102 SWITCH PANEL FOR DISPLAY</p> <p>TILL -->2010</p> <p>06114084-0</p> <p>TA 0610</p> <p>ATTENTION!! SELECT CABLE! BLACK TERMINAL OR CONDUCTOR SLEEVE</p>	<p>TA 0611 Page 104 SWITCH PANEL FOR DISPLAY</p> <p>FROM 2010--></p> <p>06112184-1</p>	<p>TA 0612 Page 106 PUSH BUTTON PANEL SOLAS FOR DISPLAY</p> <p>TILL -->2010</p> <p>06124084-0</p> <p>TA 0610</p>
<p>TA 0612 Page 108 PUSH BUTTON PANEL SOLAS FOR DISPLAY</p> <p>FROM 2010--></p> <p>06122184-1</p>	<p>TA 0613 Page 110 EXTENSION CABLE INSTRUMENTS</p> <p>06136184-0</p>	<p>TA 0700 Page 112 TRANSMISS., MOUNTING BRACKETS, PIPES</p> <p>07004084-0</p> <p>ZF 45, 45A</p> <p>ZF 45C</p>





TABLE OF CONTENTS - SPARE PARTS CATALOGUE

164 MARINE
TURBO DIESEL
+ SOLAS

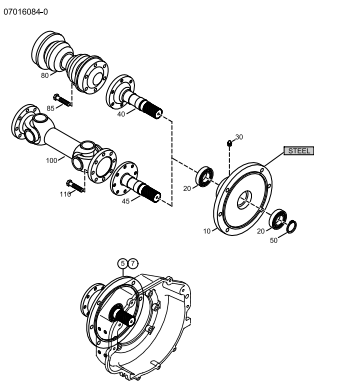

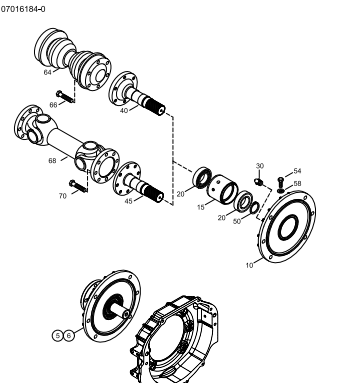

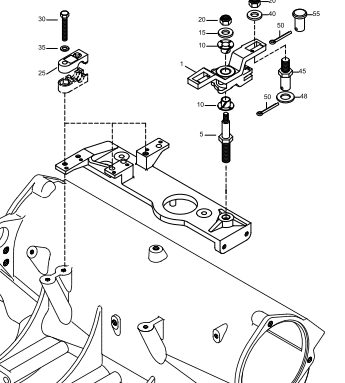

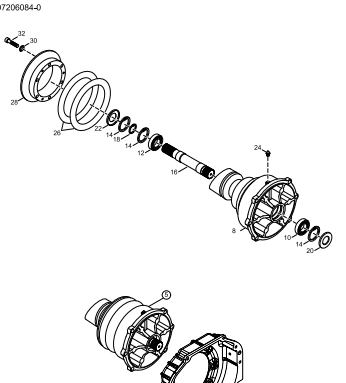

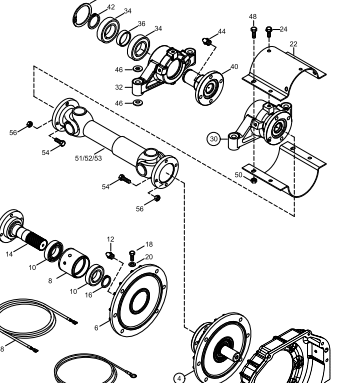

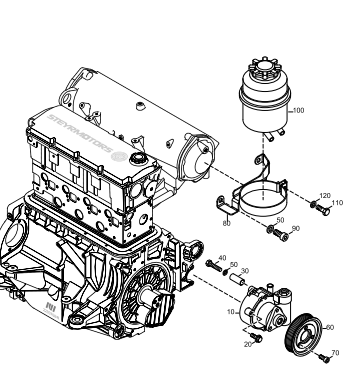

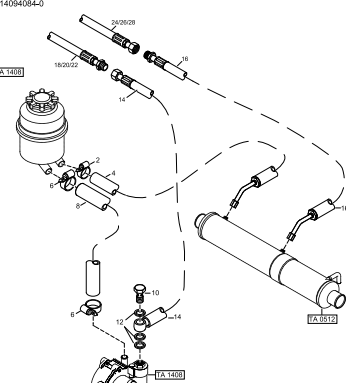

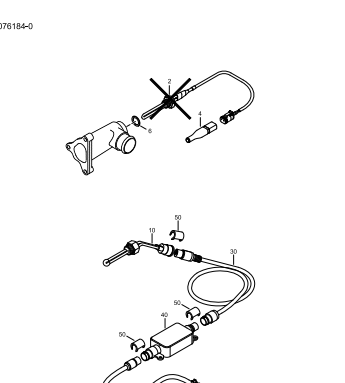

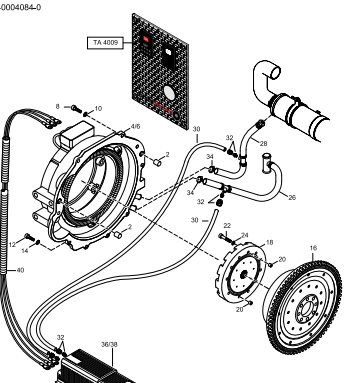

<p>TA 0701 Page 114 TRANSMISSION-SHAFT, PTO-SHAFT (STEEL)</p>  	<p>TA 0701 Page 116 TRANSMISSION-SHAFT, PTO-SHAFT (ALU)</p>  	<p>TA 0705 Page 118 TRANSMISSION GEAR SHIFT, CONTROLS</p>  
<p>TA 0720 Page 120 DRIVE ADAPTOR VOLVO STERNDRIVE</p>  	<p>TA 0730 Page 122 DRIVE SHAFT EXT. MERCURY STERNDRIVE</p>  	<p>TA 1408 Page 124 HYDRAULIC PUMP</p>  
<p>TA 1409 Page 126 HYDRAULIC PIPES</p>  	<p>TA 2207 Page 128 ENGINE PREHEATING</p>  	<p>TA 4000 Page 130 INTEGR. FLYWHEELGENERATOR (IFG)</p>  





TABLE OF CONTENTS - SPARE PARTS CATALOGUE

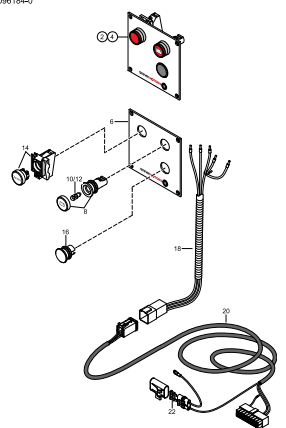

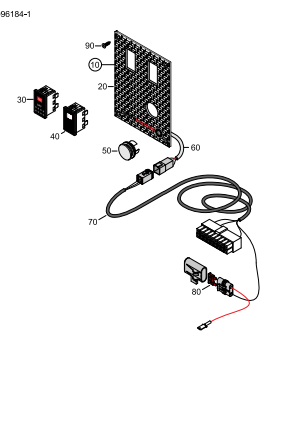

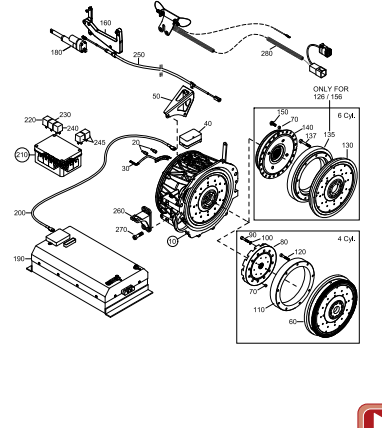

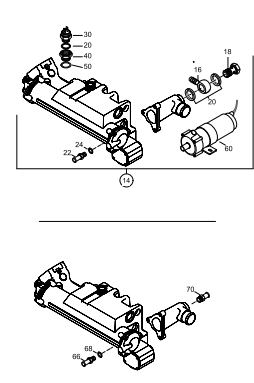

<p>TA 4009 Page 132 PUSH BUTTON PANEL „IFG“</p>	<p>TA 4009 Page 134 PUSH BUTTON PANEL „IFG“</p>	<p>TA 4100 Page 136 HYBRID</p>
<p>TILL -->2010</p> <p>40096184-0</p>  	<p>FROM 2010--></p> <p>40096184-1</p>  	<p>41006184-0</p>  
<p>TA 6012 Page 138 HEATING UNIT, CIRCULATION PUMP</p>		
<p>60124084-0</p>  		



TABLE OF CONTENTS - SPARE PARTS CATALOGUE

164 MARINE
 TURBO DIESEL
+ SOLAS



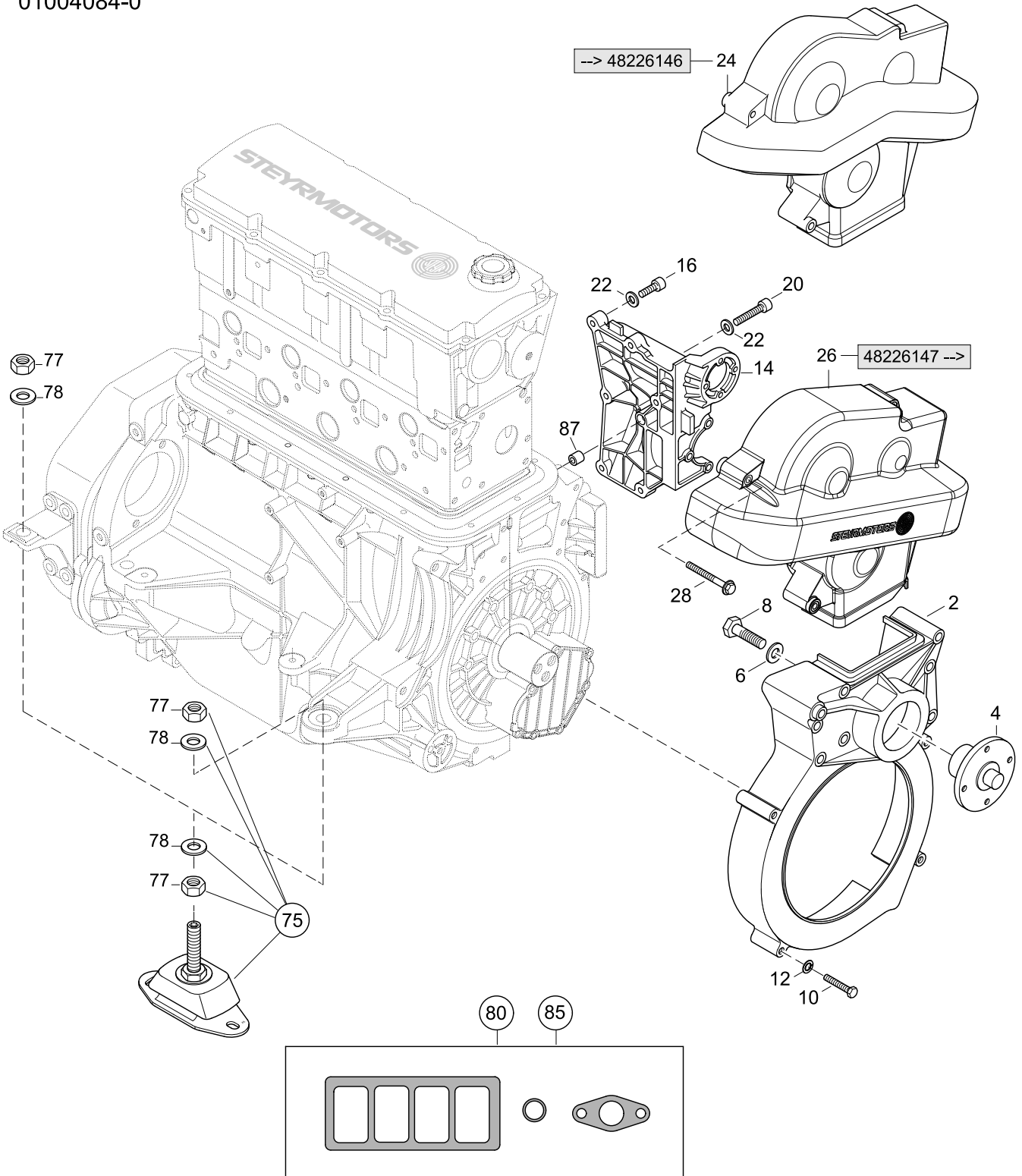


TA 0100

164 MARINE
TURBO DIESEL
+ SOLAS

MOUNT BRACKET, LIFTING EYE, GASKET SET

01004084-0



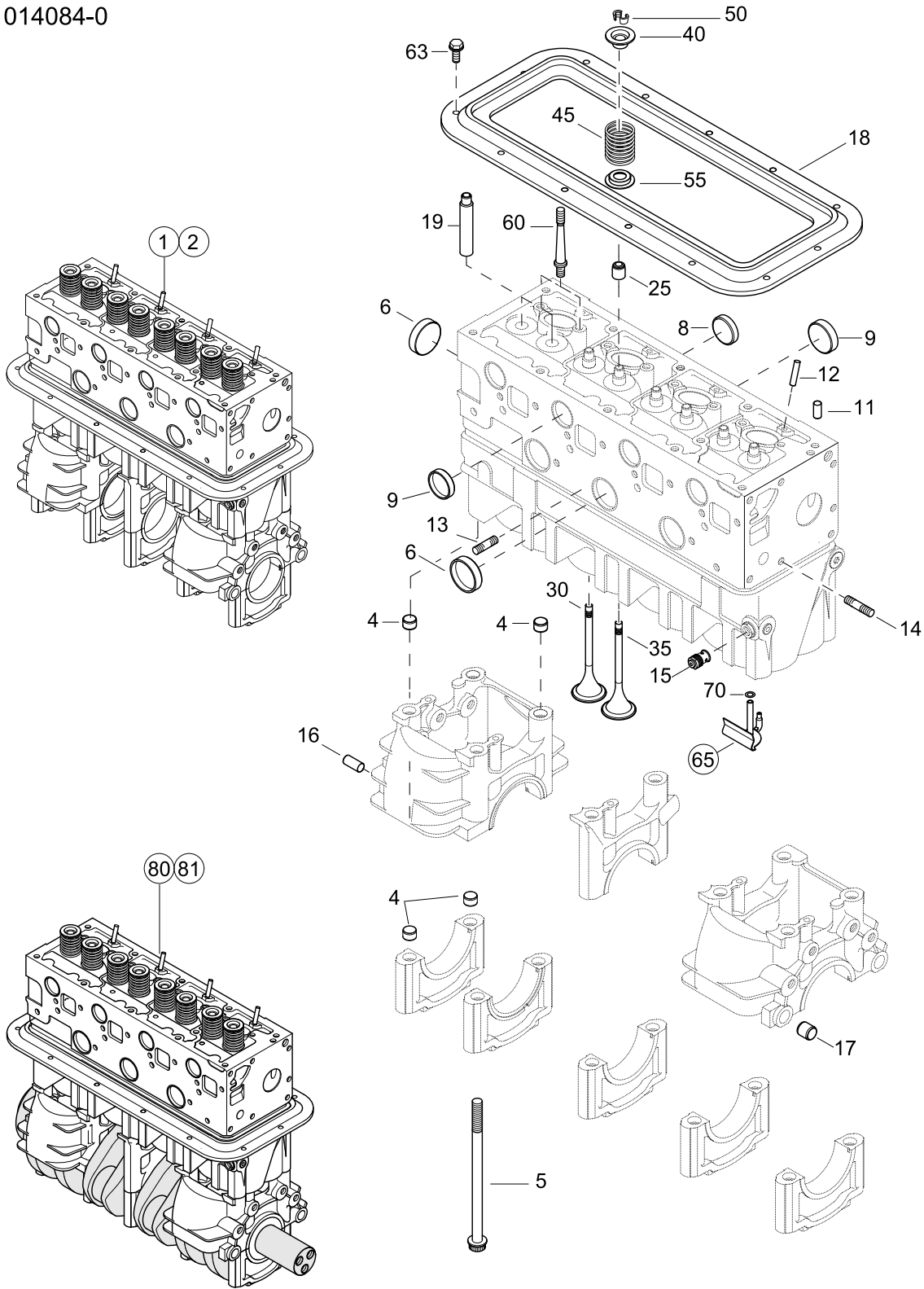


TA 0101

164 MARINE
TURBO DIESEL
+ **SOLAS**

CRANKCASE

01014084-0





CRANKCASE	164 MARINE TURBO DIESEL + SOLAS
------------------	---

01014084-0

Pos.	Part.-No.	Qty	Designation	Step
1	MZ40084-0	1	CYLINDER BLOCK ASSY. MARINE (INCL. VALVES) —>48227163	.2
2	MZ40084-1	1	CYLINDER BLOCK ASSY. MARINE (INCL. VALVES) 48227164—>	.2
4	2172799-0	16	FITTING SLEEVE DM14.5 (TOM12)	.3
5	2174329-0	10	BOLT, MAIN BEARING	.3
6	2170309-0	4	CORE HOLE PLUG 40/8	.3
8	2172676-0	2	CORE HOLE PLUG 35/8	.3
9	2172170-0	3	CORE HOLE PLUG 28/7	.3
11	3901416-0	2	PARALLEL PIN ISO 2338-8m6x16-ST	.3
12	3901328-0	4	PARALLEL PIN ISO 2338-6m6x30-ST	.3
13	9000327-0	2	STUD DIN 939-M6x20-8.8-A2C	.3
14	3812435-0	1	STUD DIN 938-M8x35-8.8-A3C	.3
15	2178525-1	1	COOLING OIL VALVE ASSY.	.3
16	3901509-0	2	PARALLEL PIN ISO 2338-10m6x20-ST	.3
17	2170298-0	2	FITTING SLEEVE DM12.5 (TOM10)	.3
18	2040217-0	1	FRAME SEAL	.3
19	2172133-N	8	VALVE GUIDE	.3
25	2172096-1	8	VALVE STEM SEAL	.3
30	2177577-1	4	EXHAUST VALVE	.3
35	2177576-6	4	INTAKE VALVE	.3
40	2177349-0	8	VALVE-SPRING RETAINER	.3
45	2172362-0	8	VALVE SPRING	.3
50	2170171-0	16	VALVE COLLET	.3
55	2177415-0	8	VALVE SPRING WASHER	.3
60	2174321-1	8	STUD UNIT INJECTOR	.2
63	9000287-0	13	HEX.FLANGE BOLT EN 1665-M6x12-8.8	.2
65	2178478-0	4	SPRAYING NOZZLE ASSY	.2
70	2173533-0	4	O-RING 5,23 x 2,62	.3
80	MT40084-0	1	PARTIAL ENGINE (BLOCK, PISTON, CR.S. & VALVES) —>48227163	.2
81	MT40084-1	1	PARTIAL ENGINE (BLOCK, PISTON, CR.S. & VALVES) 48227164—>	.2



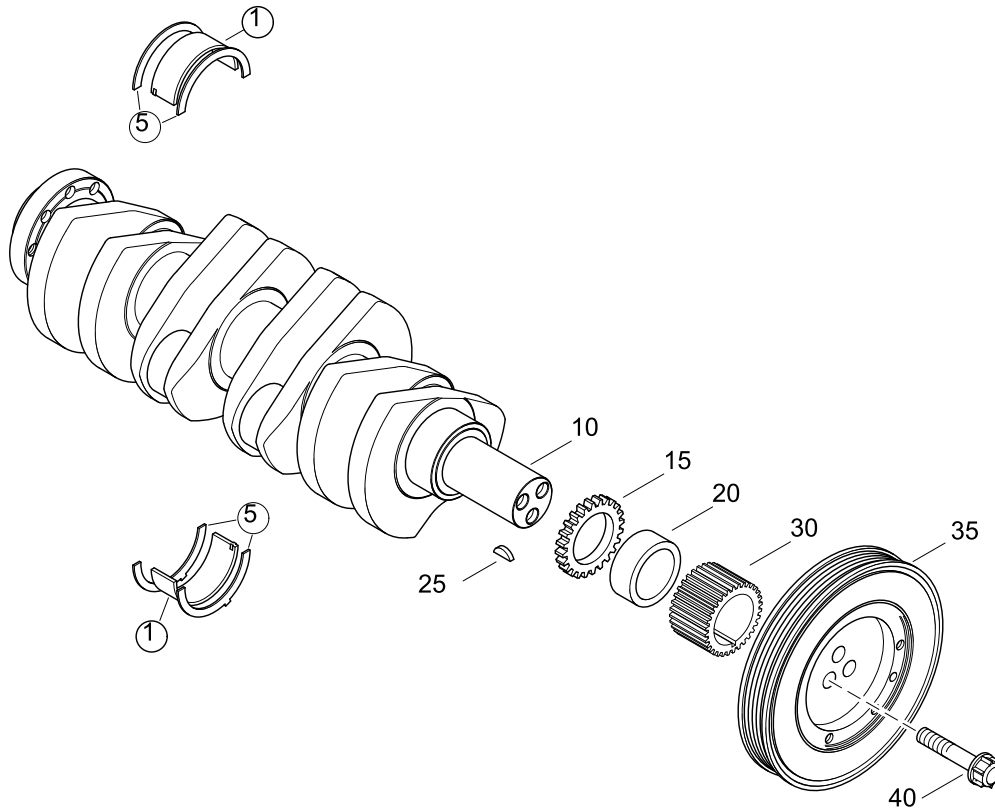


TA 0102

164 MARINE
TURBO DIESEL
+ SOLAS

CRANKSHAFT, BEARING, DAMPER

01024084-0



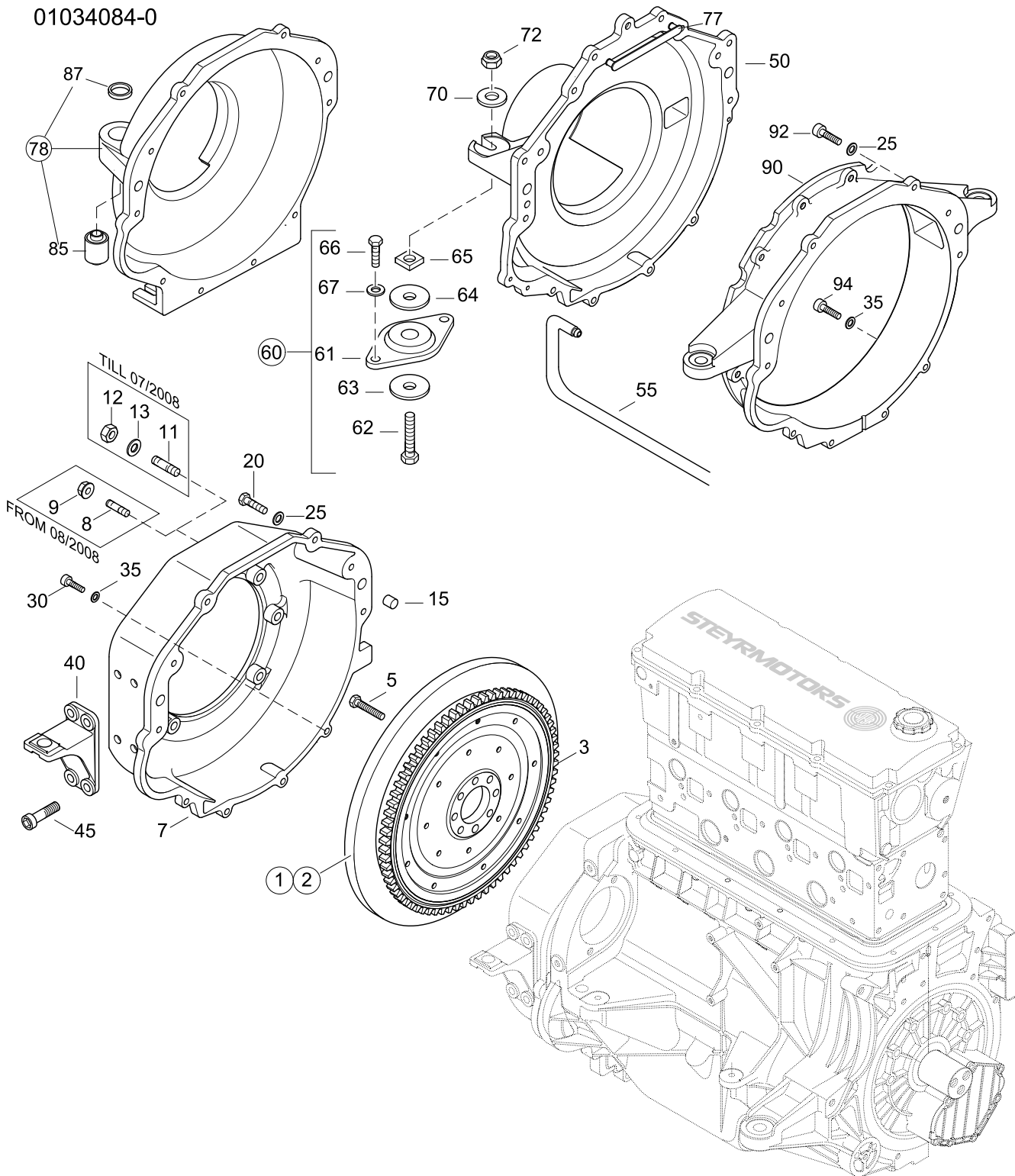


TA 0103

164 MARINE
TURBO DIESEL
+ SOLAS

FLYWHEEL, FLYWHEELHOUSING

01034084-0



FLYWHEEL, FLYWHEELHOUSING

164 MARINE
TURBO DIESEL
+ SOLAS

01034084-0

Pos.	Part.-No.	Qty	Designation	Step
1	2203739-1	1	FLYWHEEL ASSY. - DM56 —>48225999	.2
2	2203739-2	1	FLYWHEEL ASSY. - DM40 48226001—>	.2
3	2205031-0	1	STARTER RING GEAR, FLYWHEEL	..3
5	2174592-0	8	HEX. HEAD SCREW M10x30-12.9	.2
7	Z002165-0	1	SPARE FLYWHEEL HOUSING B/W FLANGE PAINTED	.2
8	9000371-0	6	STUD DIN 835-M10x25-8.8-A3C	.2
9	9000042-1	6	HEX.FLANGE NUT DIN 6923-M10-8-A3C	.2
11	9000082-0	6	STUD DIN 835-M12x25-8.8-A3C	.2
12	3871319-0	6	HEX.NUT ISO 4032-M12-8-A3C	.2
13	3930282-0	6	WASHER DIN 125-A13-140HV-A3C	.2
15	3900184-0	2	SPRING PIN, SLIGHT TYPE DIN 7346-16x22	.2
20	3862545-0	5	HEX.SOCK. HD.CAP SCR. DIN 912-M10x35-A2-70	.2
25	3930075-0	5	WASHER DIN 125 A10.5-140HV-A2	.2
30	3862433-0	4	HEX.SOCK. HD.CAP SCR. DIN 912-M8x30-A2-70	.2
35	3930103-0	4	WASHER DIN 125-8.4-140HV-A2	.2
40	2178722-1	2	BRACKET FLYWHEEL HOUSING	.2
45	9000081-0	8	HEX.SOCK.HD.CAP SCR. DIN 912-M12x35-8.8-A3C	.2
50	2203733-9	1	FLYWHEEL HOUSING OMC/VOLVO SX PAINTED	.2
55	O913787-0	1	HOSE-FLYWHEEL HOUSING	.2
60	O986712-0	1	SMALL PARTS REAR MOUNTS	.2
61	O983932-0	2	REAR MOUNT ASSY	..3
62	O318573-0	2	BOLT, REAR MOUNT	..3
63	O911780-0	2	WASHER-REAR MOUNT-LOWER	..3
64	O912889-0	2	WASHER REAR MOUNT	..3
65	O911776-0	2	SQUARE NUT-REAR MOUNT	..3
66	O309484-0	4	HEX. SCREW 3/8-16UNCx1-1/4"	..3
67	O319453-0	4	WASHER	..3
70	O911778-0	2	WASHER, REAR MOUNT	.2
72	O313623-0	2	LOCK NUT, REAR MOUNT	.2
77	2178504-0	2	COVER	.2



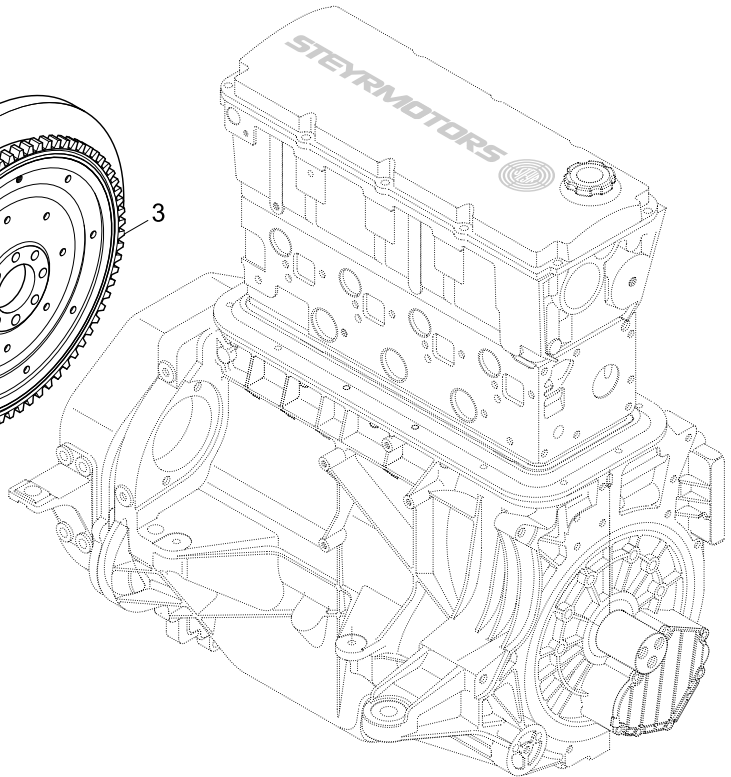
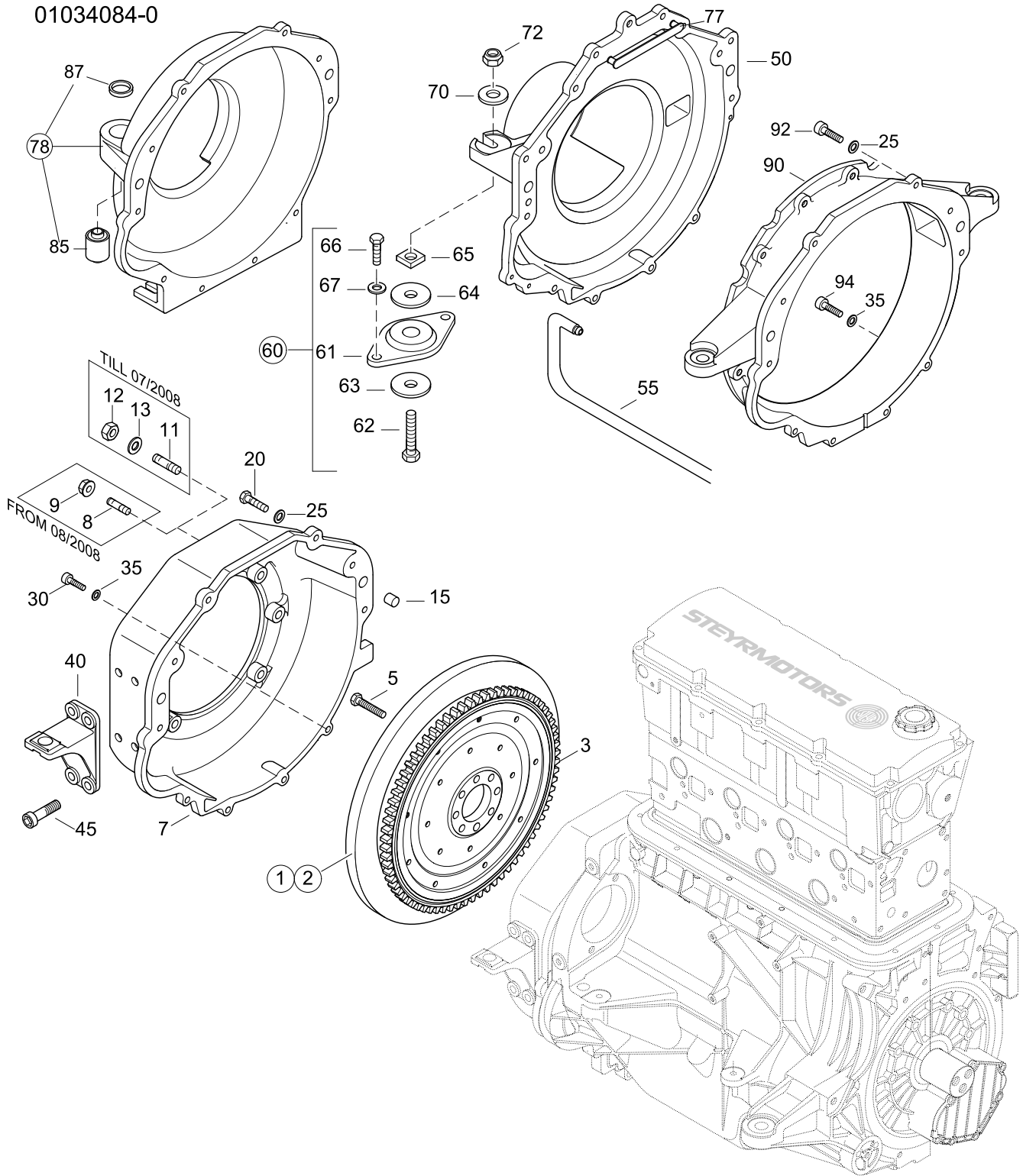


TA 0103

164 MARINE
TURBO DIESEL
+ **SOLAS**

FLYWHEEL, FLYWHEELHOUSING

01034084-0



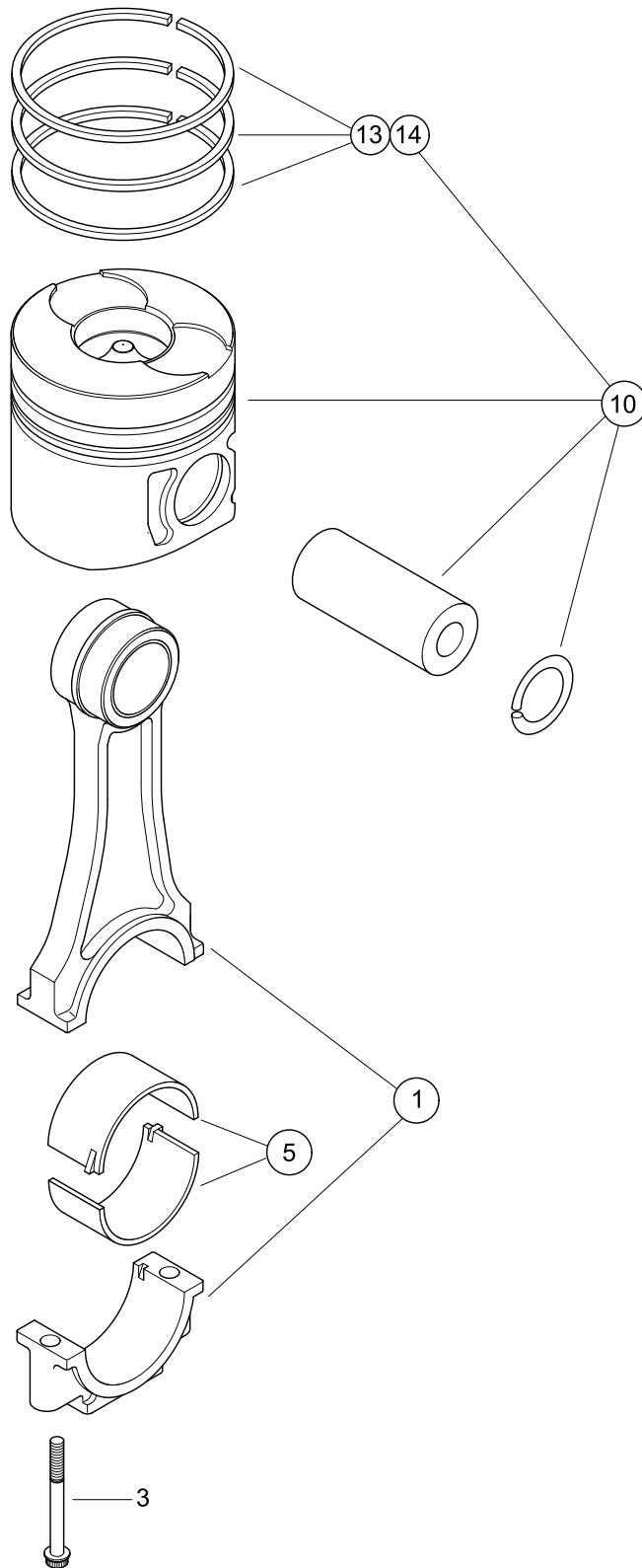


TA 0104

164 MARINE
TURBO DIESEL
+ SOLAS

PISTON, RINGS AND PIN, CONNECTION ROD

01044084-0



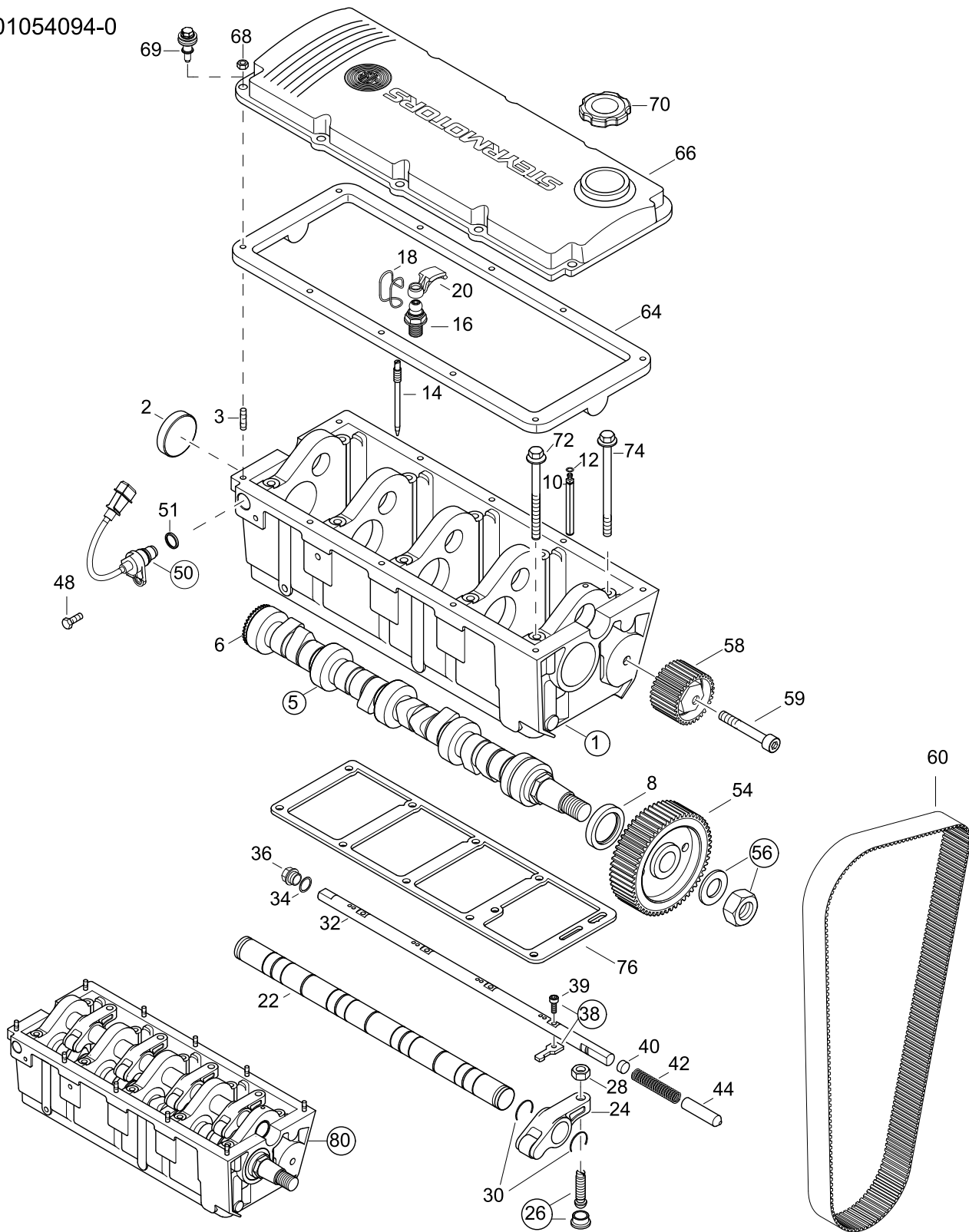


TA 0105

164 MARINE
TURBO DIESEL
+ SOLAS

CAMSHAFT, HOUSING

01054094-0



CAMSHAFT, HOUSING

164 MARINE
TURBO DIESEL
+ SOLAS

01054094-0

Pos.	Part.-No.	Qty	Designation	Step
1	Z002407-0	1	CAMSHAFT HOUSING ASSY. (PAINTED)	.2
2	2178083-0	1	CORE HOLE PLUG 50-7	..3
3	2309101-0	10	STUD DIN 835-M6x25-A2-70 —>482300551	..3
5	2203267-6	1	CAMSHAFT ASSY.	.2
6	2203280-1	1	SENSOR DISK	..3
8	2172086-1	1	ROTARY SHAFT SEAL	.2
10	2178486-1	1	AXLE SUPPORT	.2
12	2178498-0	1	QUAD RING 1,78 x 5,28	.2
14	2177513-2	1	GUIDE PIN CONTROL RACK	.2
16	2174546-2	8	VALVE TAPPET ADJ. SCREW ASSY.	.2
18	2174552-0	8	RETAINING SPRING	.2
20	2177139-1	8	CAM FOLLOWER ASSY.	.2
22	2173694-1	1	ROCKER ARM SHAFT ASSY.	.2
24	Z002094-0	4	ROCKER ARM ASSY. (SPARE PART)	.2
26	Z002010-0	4	TAPPET ADJUSTER ASSY.	.2
28	3871310-0	4	HEX.NUT DIN 934-M10x1-8	.2
30	2174036-0	8	CRESCENT RING 28x1,5	.2
32	2203289-0	1	CONTROL ROD	.2
34	3098031-0	1	SEALING RING DIN 7603-A26x31-CU	.2
36	3962043-0	1	HEX.HD.SCR.PLUG DIN 7604-C-M26x1.5-ST-A3C	.2
38	Z002009-0	4	CONTROL LINK & BOLT	.2
39	3860140-0	1	HEX.SOCK.HD.CAP SCR. DIN 912-M5x20-LH-10.9	..3
40	2203337-0	1	SPACER	.2
42	2203338-0	1	SPRING, CONTROL ROD	.2
44	2203460-0	1	BOLT	.2
48	3800238-0	1	HEX.HD.SCR. ISO 4017-M6x12-A2-70	.2
50	2176734-2	1	REVOLUTION SENSOR	.2
51	2176729-0	1	O-RING 17,17 x 1,78	..3
54	2177642-0	1	TIMING BELT PULLEY CAMSHAFT	.2
56	Z002011-0	1	NUT & WASHER, CAMSHAFT PULLEY	.2
58	2178548-5	1	IDLER PULLEY ASSY.	.2



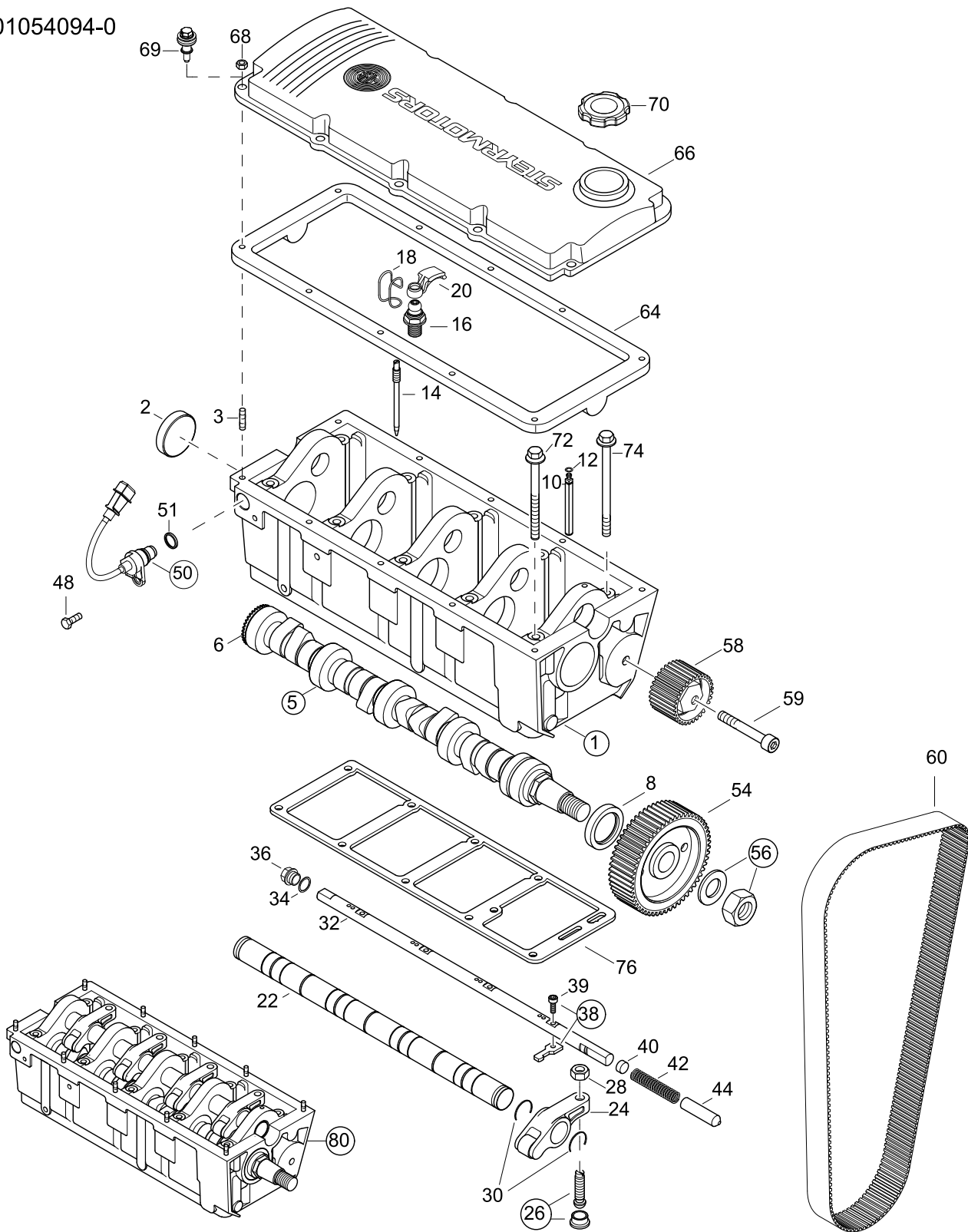


TA 0105

164 MARINE
TURBO DIESEL
+ SOLAS

CAMSHAFT, HOUSING

01054094-0



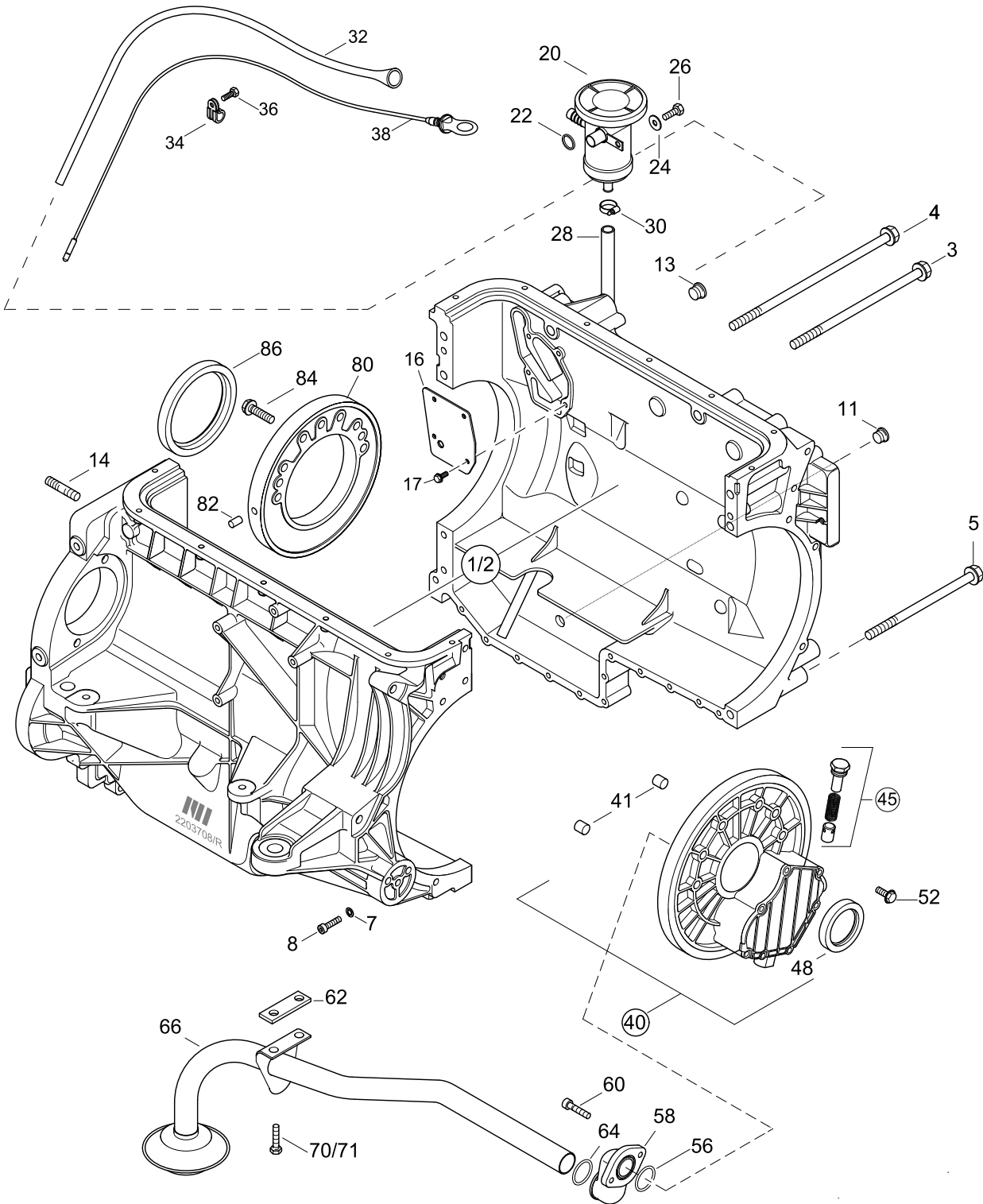


TA 0106

164 MARINE
TURBO DIESEL
+ SOLAS

OILPUMP, OILPIPE, OILPAN

01064084-0





OILPUMP, OILPIPE, OILPAN

164 MARINE
TURBO DIESEL
+ SOLAS

01064084-0

Pos.	Part.-No.	Qty	Designation	Step
1	Z002424-0	1	ENGINE HSG ASSY. (W. PIPE OIL DIPSTICK) —>482330249	.2
2	Z024014-0	1	ENGINE HSG ASSY. (W. PIPE OIL DIPSTICK) 482330250—>	.2
3	9000464-0	2	HEX.FLANGE BOLT EN 1665-M10x200-8.8-A3C	.3
4	9000463-0	2	HEX.FLANGE BOLT EN 1665-M10x250-8.8-A3C	.3
5	9000392-0	3	HEX.FLANGE BOLT EN 1665-M10x160-8.8-A3C	.3
7	3932008-0	11	SPRING WASHER DIN 137-B6-FST-A3C	.3
8	3862352-0	11	HEX.SOCK. HD.CAP SCR. ISO 4762-M6x50-8.8-A2C	.3
11	9000588-0	1	HEX.SOCK.SCR.PLUG WITH RUBBER SEAL M16x1,5	.3
13	9000590-0	1	HEX.SOCK.SCR.PLUG WITH RUBBER SEAL M22x1,5	.3
14	9000000-0	1	STUDDIN 939-M8x25-A2-70	.3
16	2203738-0	1	COVER PRE OIL SEPARATOR	.3
17	9000287-0	4	HEX.FLANGE BOLT EN 1665-M6x12-8.8-A3C	.3
20	Z002051-0	1	OIL SEPARATOR	.2
22	2178310-1	1	O-RING 17x3,53	.2
24	9000012-0	1	WASHER LARGE SERIES ISO 7093-6.4-140HV-A2	.2
26	3800221-0	1	HEX.HD.SCR. ISO 4017-M6x20-A2-70	.2
28	2178287-0	1	HOSE, OIL DRAIN	.2
30	2174405-0	2	HOSE CLAMP 10-16/7,5	.2
32	2203757-0	1	PIPE OIL-DIPSTICK	.2
34	2178566-0	1	PIPE CLAMP RSGU1.15/15-W5	.2
36	3800233-0	1	HEX.HD.SCR. ISO 4017-M6x16-A2-70	.2
38	2203751-0	1	OIL DIP STICK ASSY	.2
40	Z002429-0	1	OIL PUMP ASSY. (PAINTED)	.2
41	2170298-0	2	FITTING SLEEVE	.3
45	Z002005-6	1	RELIEF VALVE, OIL PUMP 4 CYL.	.3
48	2170276-1	1	ROTARY SHAFT SEAL	.3
52	9000278-0	6	HEX.FLANGE BOLT EN 1665-M8x35-8.8-A2C	.2
56	2040153-0	1	O-RING 25.12x1.78	.2
58	2040004-Z	1	OIL SUCTION MANIFOLD	.2
60	3862320-0	2	HEX.SOCK. HD.CAP SCR. ISO 4762-M6x20-8.8-A2C	.2
62	2203513-1	1	SPACER, PIPE OIL SUCTION —>48223068	.2



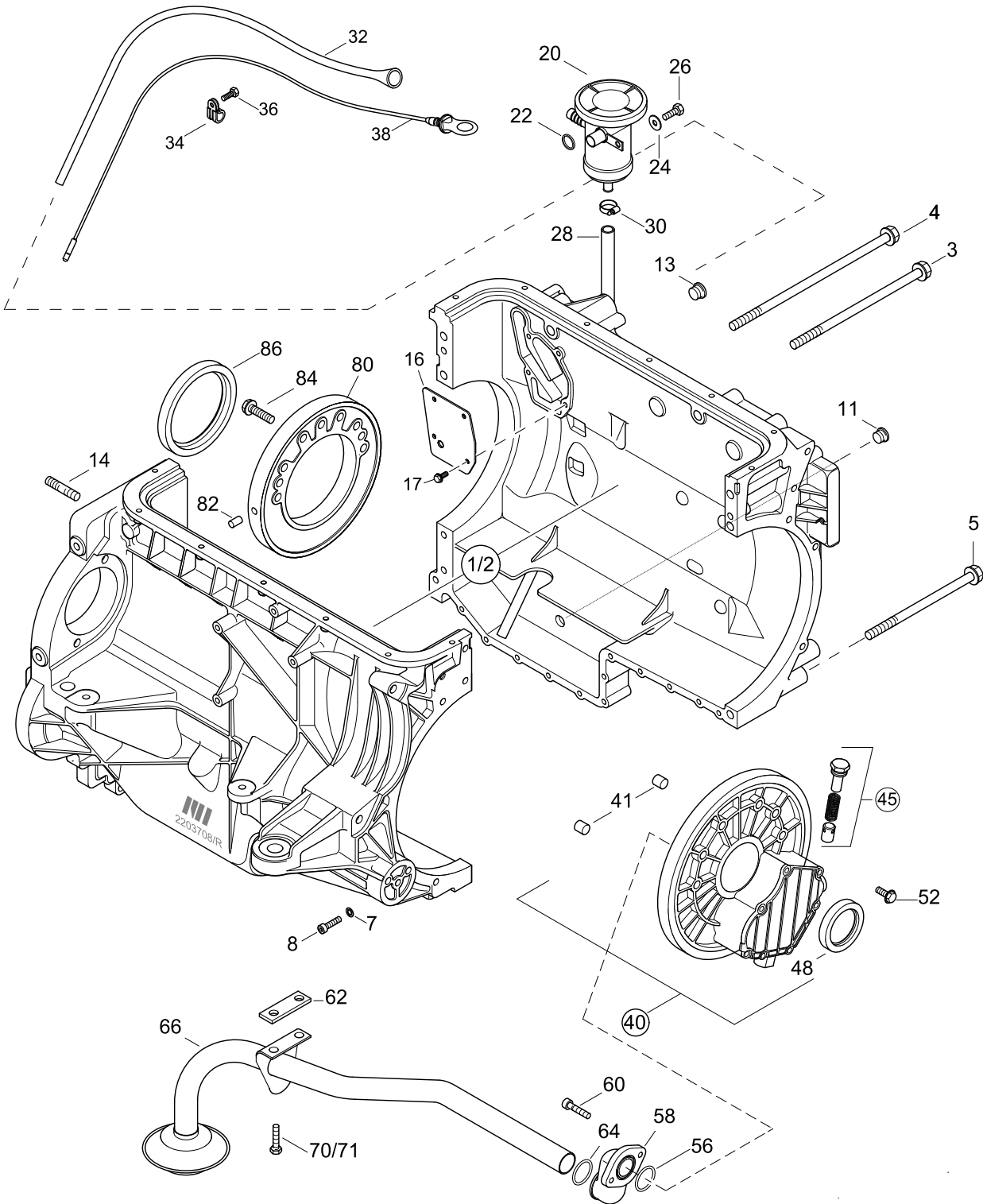


TA 0106

164 MARINE
TURBO DIESEL
+ SOLAS

OILPUMP, OILPIPE, OILPAN

01064084-0



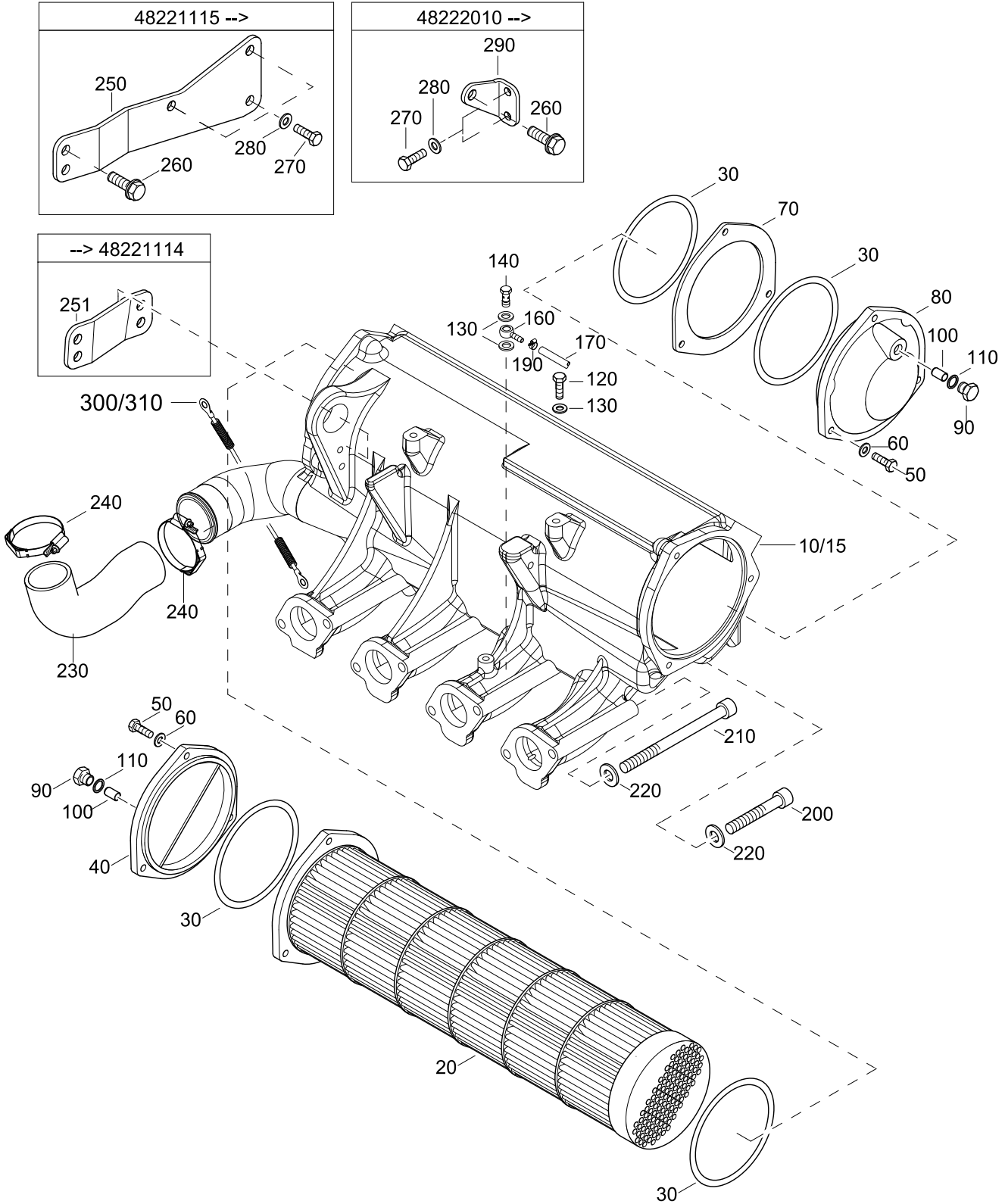


TA 0108

164 MARINE
TURBO DIESEL
+ SOLAS

INTERCOOLER

01084094-0





INTERCOOLER	164 MARINE TURBO DIESEL + SOLAS
--------------------	---

01084094-0

Pos.	Part.-No.	Qty	Designation	Step
10	2203706-9	1	INTAKE MANIFOLD, PAINTED —>482330249	.2
15	Z024015-0	1	INTAKE MANIFOLD, PAINTED 482330250—>	.2
20	2177593-1	1	INTERCOOLER	.2
30	2178483-0	4	O-RING 120,24 x 3,53	.2
40	2178415-8	1	COVER INTERCOOLER REAR, PAINTED	.2
50	9000064-0	6	HEX.SOCK. HD.CAP SCR. ISO 4762-M8x35-8.8-A3C	.2
60	3930261-0	6	WASHER ISO 7089-A8.4-140HV-A3C	.2
70	2174270-0	1	SPACER, INTERCOOLER	.2
80	2174261-9	1	COVER INTERCOOLER FRONT, PAINTED	.2
90	2178412-1	2	PLUG M18x1.5	.2
100	2178413-1	2	ZINC ANODE	.2
110	3098020-0	2	SEALING RING DIN 7603-A18x22-CU	.2
120	3802411-0	2	HEX.HD.SCR. ISO 4017-M8x16 A4-70	.2
130	3098009-0	4	SEALING RING DIN 7603-A8x14-CU	.2
140	11869	1	HOLLOW SCREW M8x1 DIN 7643-4-3-A3C	.2
160	2203796-0	1	BANJO NUT DM8	.2
170	2203665-1	1	HOSE	.2
190	2178893-0	2	HOSE CLAMP 8-12-7,5	.2
200	3862447-0	4	HEX.SOCK. HD.CAP SCR. ISO 4762-M8x45-8.8-A2C	.2
210	9000312-0	4	HEX.SOCK. HD.CAP SCR. ISO 4762-M8x120-8.8-A2C	.2
220	3930261-0	8	WASHER ISO 7089-A8.4-140HV-A3C	.2
230	2203830-0	1	CHARGE AIR HOSE	.2
240	2179050-0	2	HOSE CLAMP WITH SPRING 40-60/9	.2
250	2203789-1	1	SHACKLE 48221115—>	.2
251	2203789-0	1	SHACKLE —>48221114	.2
260	9000271-0	3	HEX.FLANGE BOLT EN 1665-M8x25-10.9-DAC	.2
270	3800233-0	5	HEX.HD.SCR. ISO 4017-M6x16-A2-70	.2
280	3930070-0	5	WASHER ISO 7089-6-140HV-A2	.2
290	2203789-2	1	SHACKLE 48222010—>	.2
300	2206210-1	1	GROUND WIRE —>482290263	.2
310	2178968-0	1	GROUND WIRE 482290264—>	.2



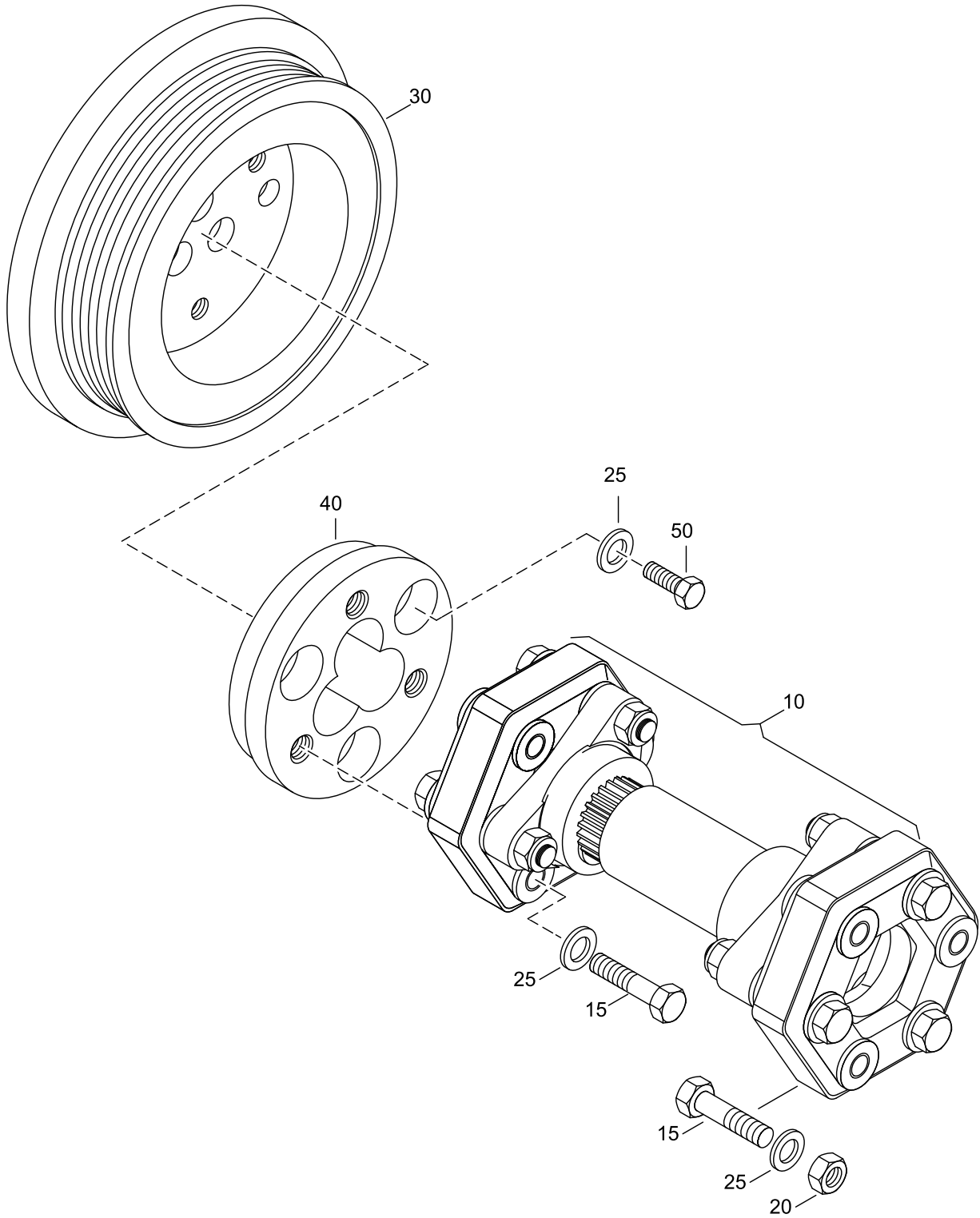


TA 0109

164 MARINE
TURBO DIESEL
+ SOLAS

POWER TAKE OFF FRONT

01094084-0



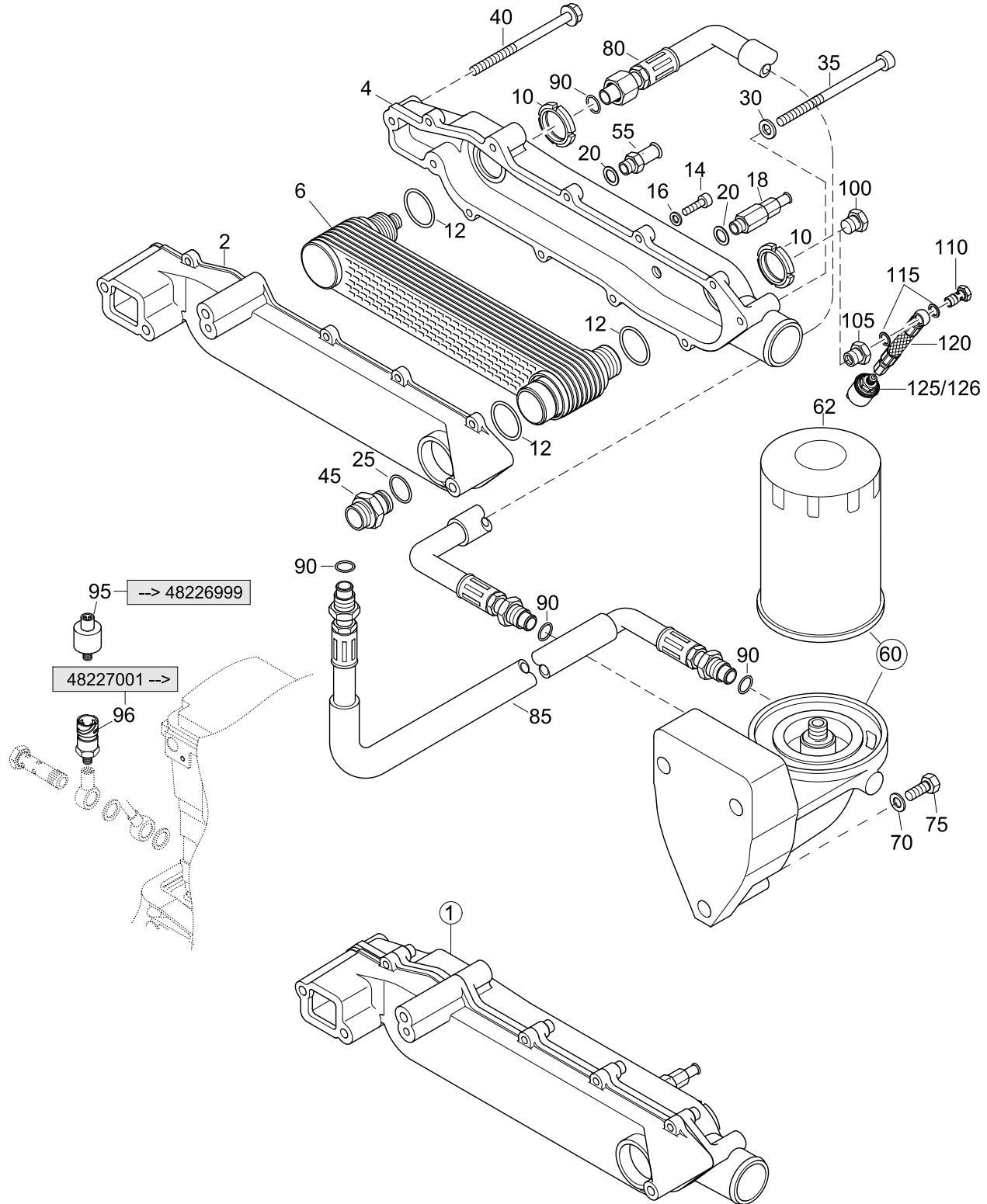


TA 0113

164 MARINE
TURBO DIESEL
+ SOLAS

OILCOOLER

01134084-0



OILCOOLER	164 MARINE TURBO DIESEL + SOLAS
------------------	---

01134084-0

Pos.	Part.-No.	Qty	Designation	Step
1	Z002402-0	1	OIL COOLER ASSY. 4 CYL. MARINE (PAINTED)	.2
2	2203260-9	1	HOUSING OIL COOLER, PAINTED	..3
4	2203262-9	1	COVER OIL COOLER, PAINTED	..3
6	2178632-1	1	OIL COOLER CARTRIDGE	..3
10	9000315-0	2	GROOVE NUT DIN 70852-M30x1.5-14H-A3C	..3
12	2177741-0	3	O-RING 32,92 x 3,53	..3
14	3862327-0	7	HEX.SOCK. HD.CAP SCR. DIN 912-M6x25-8.8-A2C	..3
16	3932008-0	7	SPRING WASHER DIN 137-B6-FST-A3C	..3
18	2178598-0	1	DRAIN COCK ASSY.	..3
20	9000786-0	1	DICHTRING DIN 7603-A12x16-CU	..3
25	2177742-1	1	O-RING 25 x 3,53	.2
30	3930103-0	2	WASHER DIN 125-8.4-140HV-A2	.2
35	9000312-0	2	HEX.SOCK. HD.CAP SCR. DIN 912-M8x120-8.8-A2C	.2
40	9000248-1	3	HEX.FLANGE BOLT EN 1665-M8x110-10.9-A2C	.2
45	Z002127-0	1	SPARE P. BUSHING, OIL COOLER	.2
55	2178698-0	1	NIPPLE HEATER ON OILCOOLER (ACCESSORY)	.2
60	Z002403-0	1	OIL FILTER & COVER ASSY. PAINTED	.2
62	2178582-1	1	OIL FILTER CARTRIDGE	..3
70	3930103-0	3	WASHER DIN 125-8.4-140HV-A2	.2
75	3862452-0	3	HEX.SOCK. HD.CAP SCR. DIN 912-M8x50-8.8-A2C	.2
80	2203740-0	1	HOSE, FILTER-OIL COOLER	.2
85	2203741-0	1	HOSE, OILPUMP TO FILTER	.2
90	2176170-0	4	O-RING 15 x 2	.2
95	2206122-0	1	OIL PRESSURE SENSOR —>48226999	.2
96	2206305-0	1	PRESSURE SENSOR 1/8-27 NPT 48227001—>	.2
100	9000290-0	1	SCREW PLUG 1/4-18 NPTF	.2
105	2203819-0	1	SCREW PLUG 1/4-18 NPTF - M10x1	.2
110	9000010-1	1	HOLLOW SCREW M10x1	.2
115	3098011-0	2	SEALING RING DIN 7603-A10x16-CU	.2
120	Z002405-0	1	HOSE OIL PRESSURE SENSOR (ACCESSORY)	.2
125	Z002640-0	1	OIL PRESSURE SENSOR 2 WAY (ACCESSORY)	.2



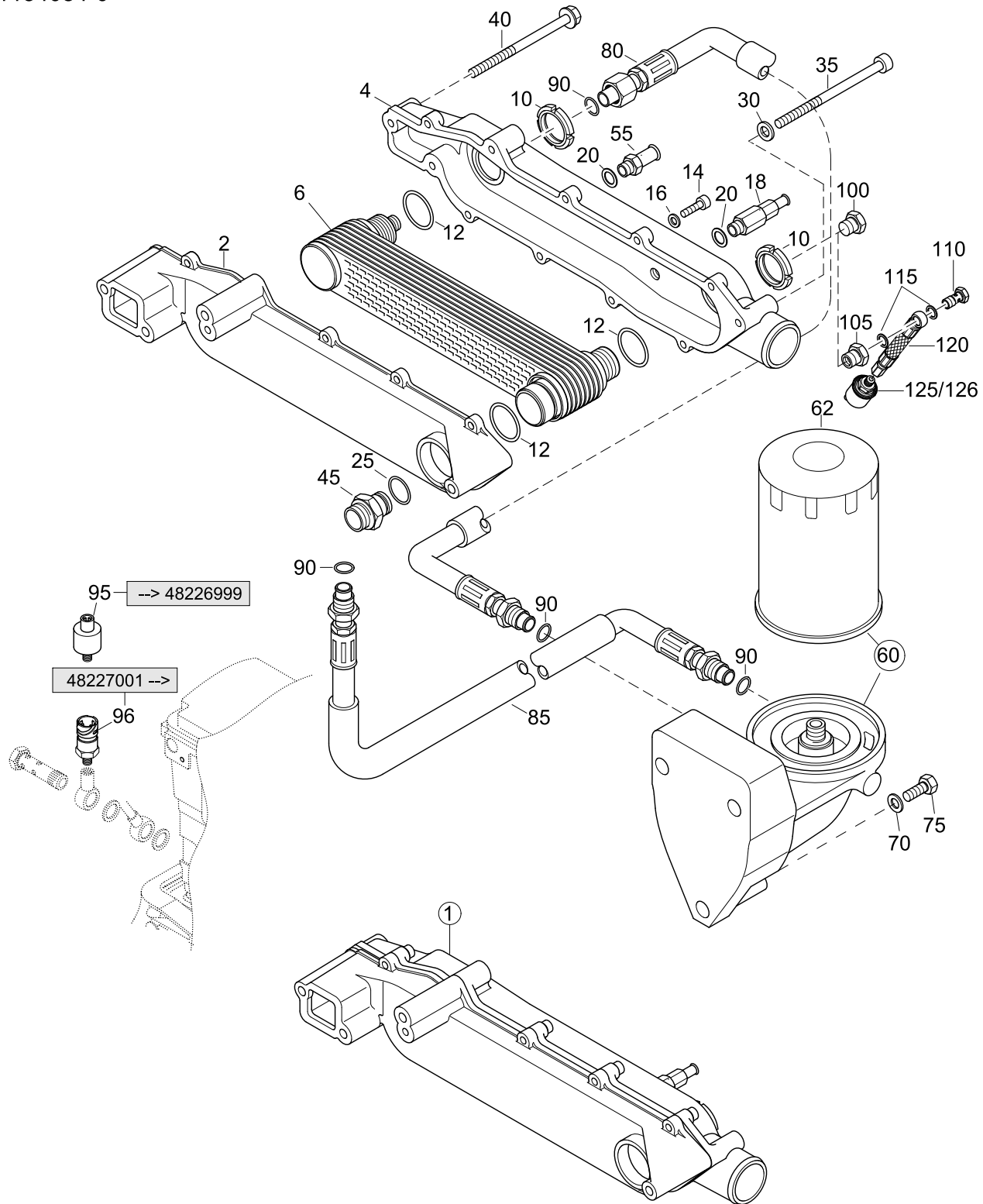


TA 0113

164 MARINE
TURBO DIESEL
+ **SOLAS**

OILCOOLER

01134084-0



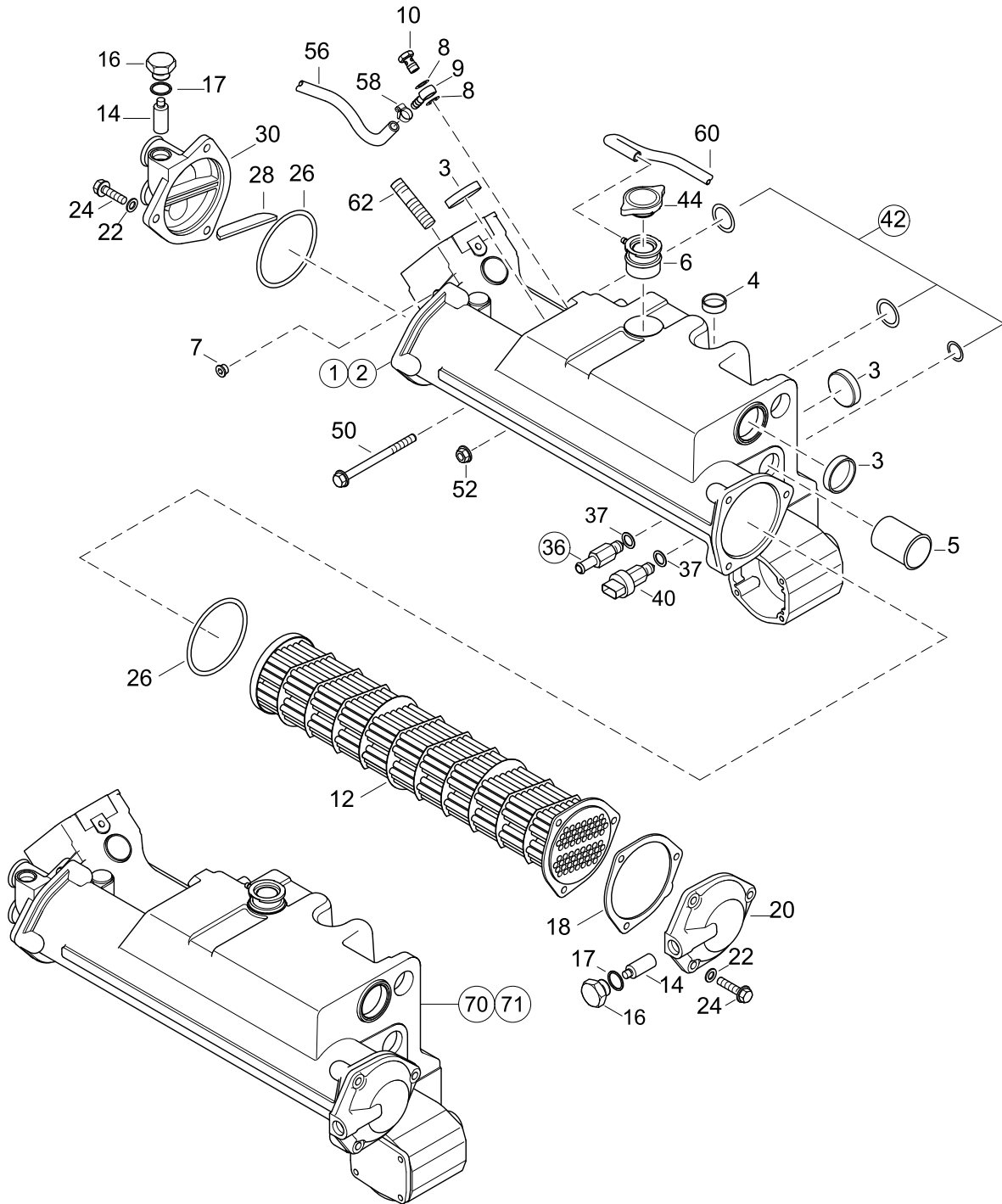


TA 0114

164 MARINE
TURBO DIESEL
+ SOLAS

EXHAUST, HEAT EXCHANGER, GASKET

01144084-0





EXHAUST, HEAT EXCHANGER, GASKET

164 MARINE
TURBO DIESEL
+ SOLAS

01144084-0

Pos.	Part.-No.	Qty	Designation	Step
1	2203703-0	1	EXHAUST MANIFOLD ASSY. PAINTED —>48227163	.2
2	Z002433-0	1	EXHAUST MANIFOLD ASSY. PAINTED 48227164—>	.2
3	2178112-0	3	CORE HOLE PLUG 40/8	..3
4	Z002048-0	9	CORE PLUG WITH O-RING	..3
5	2174617-0	1	PIPE FITTING	..3
6	2178331-0	1	FILLER NECK	..3
7	2170217-0	1	SCREW PLUG M10x1	..3
8	3098011-0	4	SEALING RING DIN 7603-A10x16-CU	.2
9	2174384-1	2	BANJO DN6 DIN 7642	.2
10	9000010-1	2	HOLLOW SCREW M10x1 DIN 7643-6-3-S	.2
12	2203704-0	1	HEATEXCHANGER	.2
14	2178413-1	2	ZINC ANODE	.2
16	Z002017-0	2	PLUG & SEAL FOR ZINC-ANODE	.2
17	3098020-0	1	SEALING RING DIN 7603-A18x22-CU	..3
18	2174155-1	1	GASKET, HEAT EXCHANGER COVER	.2
20	2173510-9	1	COVER HEAT EXCHANGER, FRONT PAINTED	.2
24	9000431-0	6	HEX.FLANGE BOLT EN 1665-M8x30-10.9-DAC	.2
26	2173636-0	2	O-RING 90x3	.2
28	2174073-0	1	SEAL FOR HEAT EXCHANGER COVER	.2
30	2177450-9	1	COVER HEAT EXCHANGER REAR, PAINTED	.2
36	2178598-0	1	DRAIN COCK ASSY.	.2
37	3098013-0	2	SEALING RING DIN 7603-A12x18-CU	.2
40	2174623-3	1	COOLANT TEMPERATURE SENSOR	.2
42	Z002489-0	1	SEAL KIT, EXH.MANIF - BLOCK 4 CYL.MARINE (O-RINGS)	.2
44	2174693-7	1	FILLER CAP ENGINE COOLANT	.2
50	9000248-1	8	HEX.FLANGE BOLT EN 1665-M8x110-10.9-A2C	.2
52	3880049-0	2	HEX.FLANGE NUT DIN 6923-M6-A2-70	.2
56	2178552-1	1	HOSE L=275mm	.2
58	2174405-0	2	HOSE CLAMP 10-16/7,5 EN 10088-1	.2
60	2174682-0	1	HOSE, OVERFLOW	.2
62	2203778-0	4	STUD HEAT-RESISTANT STEEL DIN 940-M8FOx25	.2



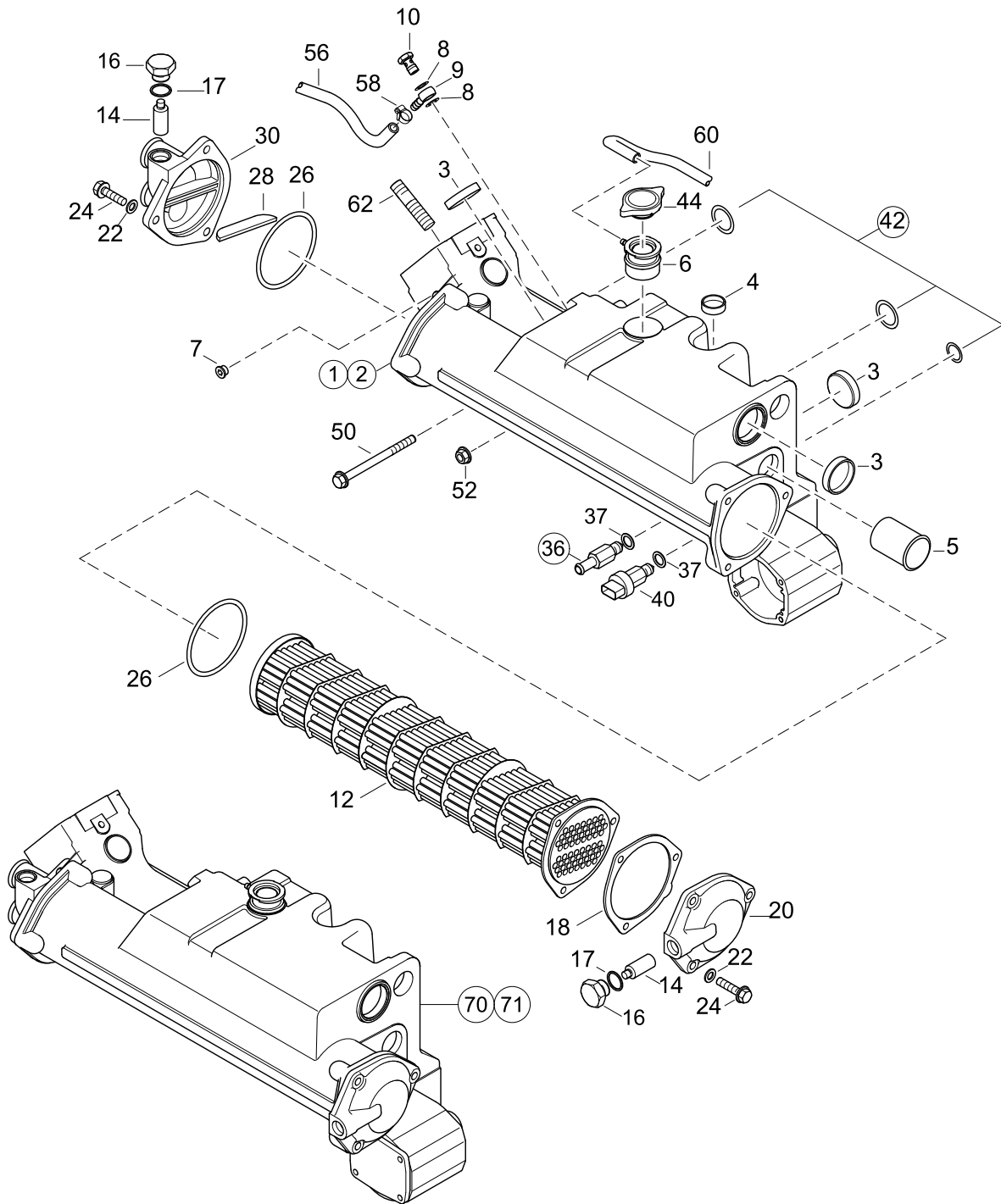


TA 0114

164 MARINE
TURBO DIESEL
+ SOLAS

EXHAUST, HEAT EXCHANGER, GASKET

01144084-0



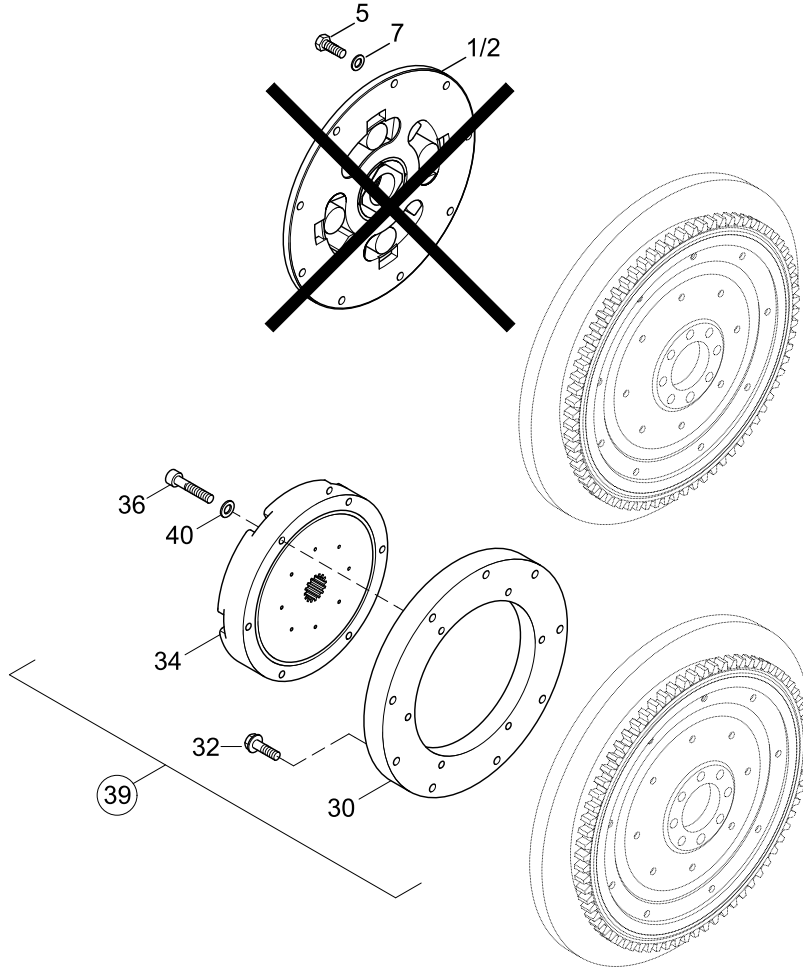


TA 0201

164 MARINE
TURBO DIESEL
+ SOLAS

COUPLER

02014084-1



COUPLER	164 MARINE <small>TURBO DIESEL</small> + SOLAS
----------------	--

02014084-1

Pos.	Part.-No.	Qty	Designation	Step
1	2178860-X	1	COUPLING 20/40-26T (ZF) —> NEW NUMBER Z002066-V	.2
2	2178860-Y	1	COUPLING 16/32-17T (NEWAGE) —> NEW NUMBER Z002066-J	.2
5	3802424-0	9	HEX.HD.SCR. ISO 4017-M8x25-8.8-A2C	.2
7	3930103-0	9	WASHER DIN 125-8.4-140HV-A2	.2
30	2179163-0	1	ADAPTER RING, FLY WHEEL	.2
32	9000431-0	9	HEX.FLANGE BOLT EN 1665-M8x30-10.9-DAC	.2
34	2179164-0	1	COUPLER 20-40 26T	.2
36	9000520-0	6	HEX.SOCK. HD.CAP SCR. ISO 4762-M8x50-10.9-DAC	.2
39	Z002066-V	1	COUPLING KIT 20/40-26T F.GEAR & SCREWS	.2
40	3930103-0	6	WASHER DIN 125-8.4-140HV-A2	.2



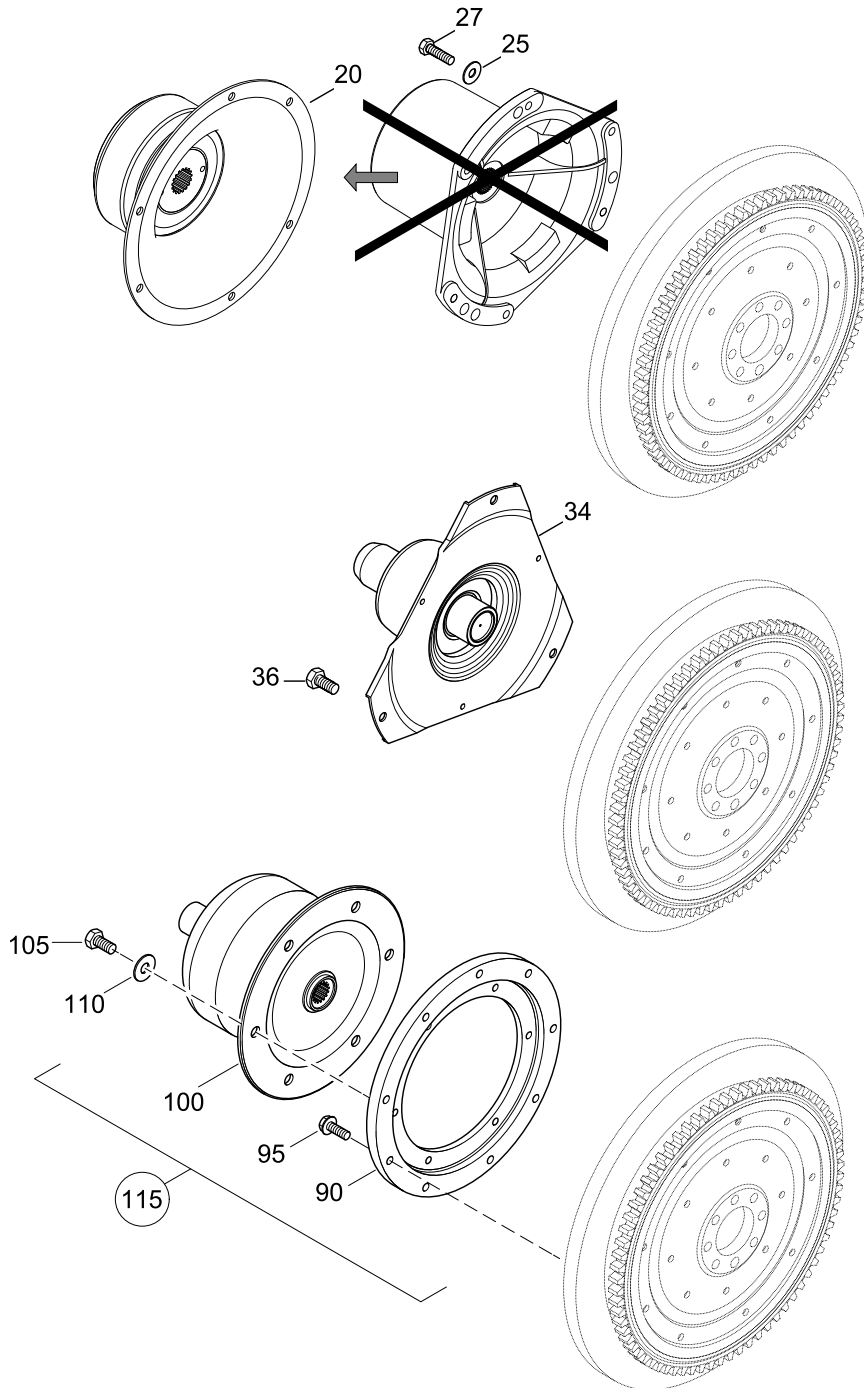


TA 0201

164 MARINE
TURBO DIESEL
+ SOLAS

COUPLER

02014084-3



<h3 style="margin: 0;">COUPLER</h3>	<div style="font-weight: bold; font-size: 1.2em;">164 MARINE</div> <small>TURBO DIESEL</small> <div style="font-weight: bold; font-size: 1.2em;">+ SOLAS</div>
-------------------------------------	---

02014084-3

Pos.	Part.-No.	Qty	Designation	Step
20	Z021002-0	1	S.P. COUPLER	.2
25	3936103-0	6	WASHER LARGE SERIES ISO 7093-1-8-200HV-A3C	.2
27	3802430-0	6	HEX.HD.SCR. ISO 4017-M8x30-10.9-A2C	.2
34	2178860-A	1	COUPLER MERCURY-BRAVO	.2
36	O914544-0	3	HEX. BOLT WITH FLANGE 3/8-16UNCx1"-8.8	.2
90	2179078-1	1	ADAPTER FLY-WHEEL MERCURY 4 CYL.	.2
95	9000431-0	9	HEX.FLANGE BOLT EN 1665-M8x30-10.9-DAC	.2
100	2178860-M	1	COUPLER MERCURY	.2
105	3802523-0	6	HEX.HD.SCR. ISO 4017-M10x25-8.8-A3C	.2
110	3930075-0	6	WASHER DIN 125 A10.5-140HV-A2	.2
115	Z002066-5	1	COUPLING KIT MERCURY-BRAVO STERN-DRIVE	.2

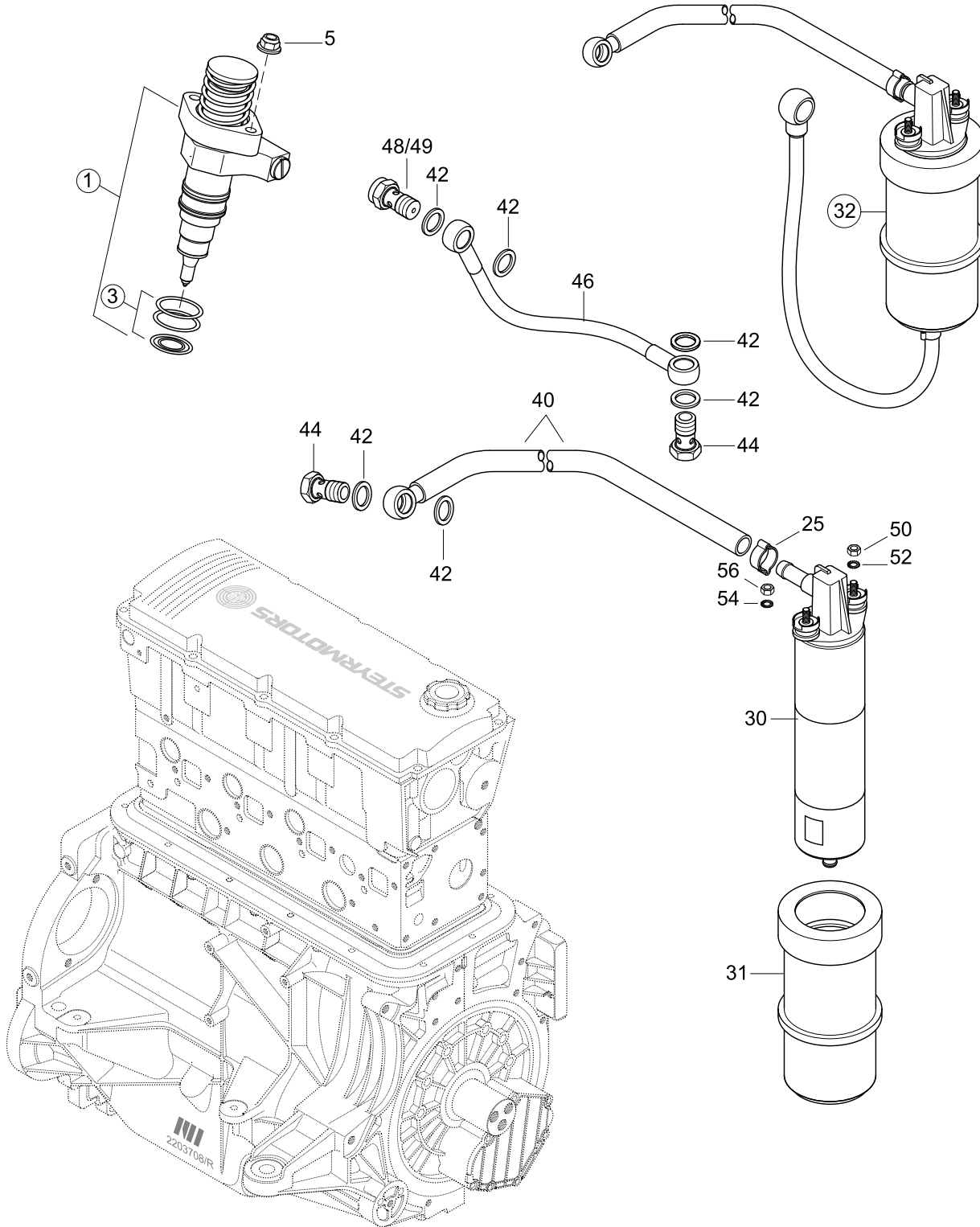


TA 0302

164 MARINE
TURBO DIESEL
+ SOLAS

FUEL PUMP, UNIT INJECTOR, PIPE

03024094-0





FUEL PUMP, UNIT INJECTOR, PIPE	164 MARINE <small>TURBO DIESEL</small> + SOLAS
---------------------------------------	--

03024094-0

Pos.	Part.-No.	Qty	Designation	Step
1	Z002030-7	4	UNIT INJECTOR + SEALINGS 2176557/0	.2
3	Z002031-0	1	SEAL KIT, UNIT INJECTOR	..3
5	9000056-1	8	HEX.FLANGE NUT DIN 6923-M8-8-A2C	.2
25	2178995-0	1	HOSE CLAMP 17,5mm	.2
30	2173396-4	1	FUEL PUMP 12V (WITH ISOLATING SLEEVE)	.2
31	2173396-1	1	ISOLATING SLEEVE FUEL PUMP	..3
32	Z002054-1	1	FUEL PUMP ASSY & LINES	.2
40	2203766-1	1	FUEL HOSE PUMP/BLOCK	.2
42	3098015-0	6	SEALING RING DIN 7603-A14x20-CU	.2
44	9000053-0	2	HOLLOW SCREW M14x1,5 DIN 7643-10-DAC A500	.2
46	2203776-0	1	FUEL PIPE BLOCK-TANDEMCOOLER (KTL)	.2
48	2178561-1	1	OVERFLOW VALVE FUEL-CYLINDER BLOCK —>48224082	.2
49	2178572-1	1	HOLLOW SCREW THROTTLED 48224083—>	.2
50	3870050-0	1	HEX.NUT DIN 934-M5-A2-70	.2
52	9000040-0	1	TOOTHED LOCK WASHER EXTERN. DIN 6797-A5.3-1.4310	.2
54	9000039-0	1	TOOTHED LOCK WASHER EXTERN. DIN 6797-A4.3-1.4310	.2
56	3870051-0	1	HEX.NUT ISO 4032-M4-A2-70	.2





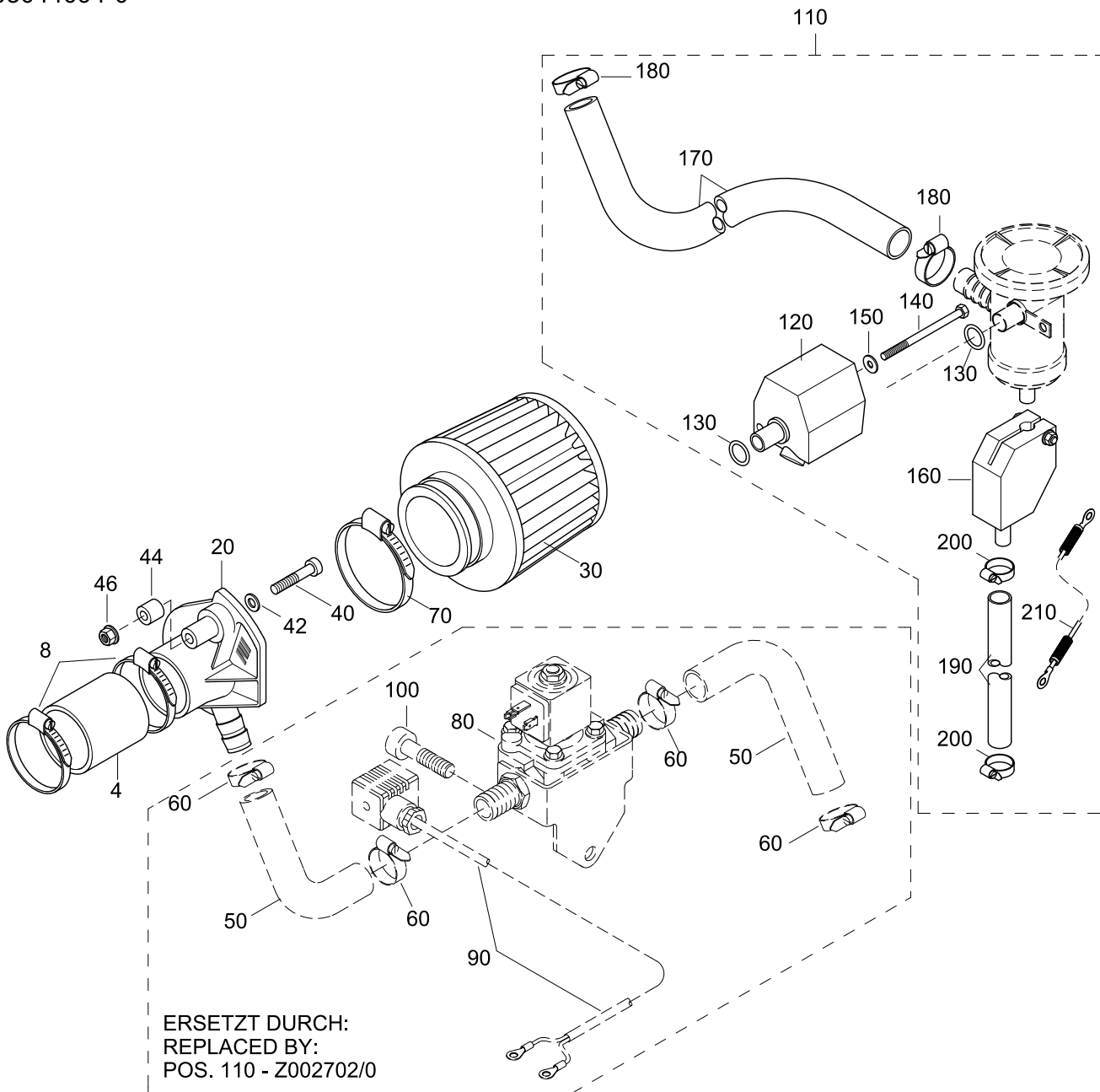
TA 0304



164 MARINE
TURBO DIESEL
+ SOLAS

AIRFILTER, TILL -->48228079

03044094-0





AIRFILTER, TILL -->48228079

164 MARINE
TURBO DIESEL
+ SOLAS

03044094-0

Pos.	Part.-No.	Qty	Designation	Step
4	2178618-5	1	HOSE, TURBO CHARGER ID60/L=50	.2
8	2177462-0	2	HOSE CLAMP 50-70/12	.2
20	2178308-9	1	BRACKET AIR FILTER ASSY. PAINTED	.2
30	2178992-0	1	AIR FILTER SA 70-110	.2
40	3862471-0	1	HEX.SOCK. HD.CAP SCR. DIN 912-M8x70-8.8-A2C	.2
44	2205027-0	1	SLEEVE	.2
46	9000056-1	1	HEX.FLANGE NUT DIN 6923-M8-8-A2C	.2
50	2178581-2	1	HOSE OIL SEPERATOR	.2
60	2177753-0	4	HOSE CLAMP 16-25/9	.2
70	2174417-1	1	HOSE CLAMP 70-90/9	.2
80	2178973-G	1	SOLENOID VALVE ASSY. (SOLAS)	.2
90	2178976-0	1	CABLE SOLENOID VALVE SOLAS	.2
100	3860149-0	1	HEX.SOCK. HD.CAP SCR. DIN 912-M10x40-8.8-A3C	.2
110	Z002702-0	1	BALL VALVE KIT SOLAS	.2
120	2179069-9	1	BALL VALVE ASSY. (PAINTED)	..3
130	2178310-1	2	O-RING 17 X 3,53	..3
140	9000452-0	1	HEX.HD.BOLT ISO 4014-M6x75-A2-70	..3
150	9000012-0	1	WASHER LARGE SERIES DIN 9021-6.4-140HV-A2	..3
160	2179070-9	1	BALL VALVE ASSY. (PAINTED)	..3
170	2178581-2	1	HOSE OIL SEPERATOR	..3
180	2177753-0	2	HOSE CLAMP 16-25/9	..3
190	2178287-1	1	HOSE, OIL DRAIN	..3
200	2174405-0	2	HOSE CLAMP 10-16/7,5	..3
210	2206210-1	1	GROUND WIRE ASSY.	..3



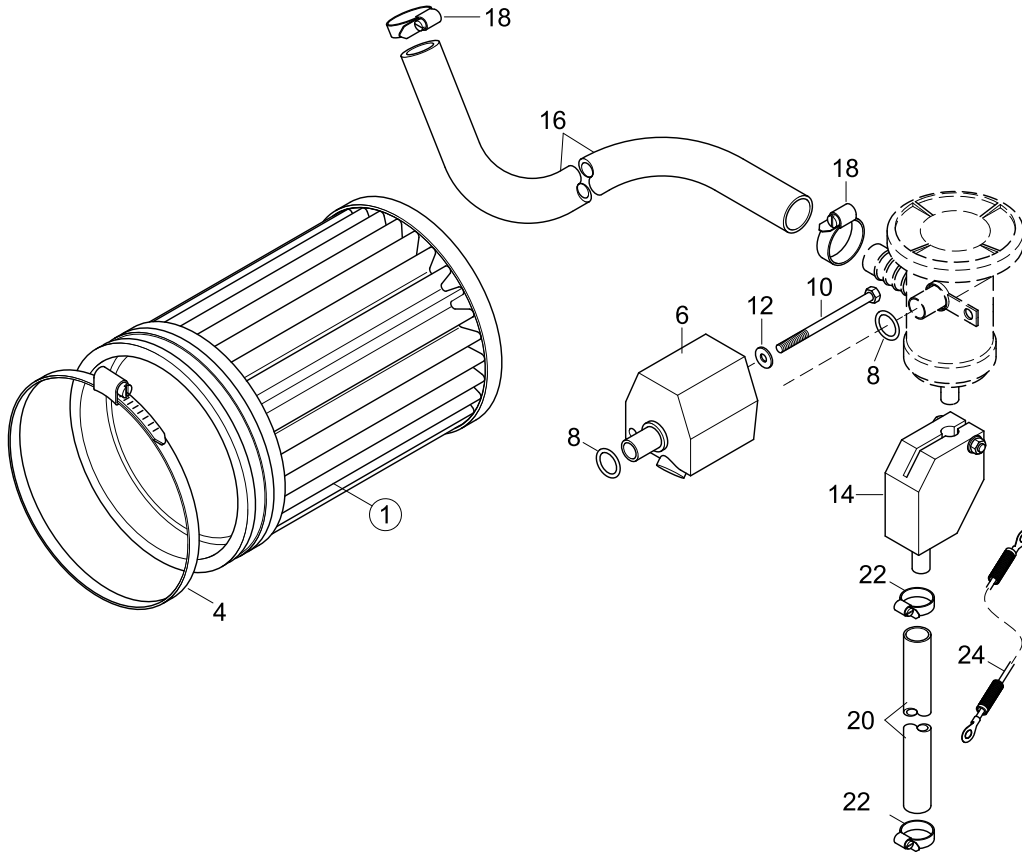


TA 0304

164 MARINE
TURBO DIESEL
+ SOLAS

AIRFILTER, FROM 48228080-->

03044094-1





AIRFILTER, FROM 48228080-->

164 MARINE
TURBO DIESEL
+ SOLAS

03044094-1

Pos.	Part.-No.	Qty	Designation	Step
1	Z002100-3	1	AIR FILTER DM101 + HOSE CLAMP	.2
4	2179195-0	1	HOSE CLAMP 110-130/9	.3
6	2179069-9	1	BALL VALVE ASSY. (PAINTED)	.2
8	2178310-1	2	O-RING 17 X 3,53	.2
10	9000452-0	1	HEX.HD.BOLT ISO 4014-M6x75-A2-70	.2
12	9000012-0	1	WASHER LARGE SERIES DIN 9021-6.4-140HV-A2	.2
14	2179070-9	1	BALL VALVE ASSY. (PAINTED)	.2
16	2178581-2	1	HOSE OIL SEPERATOR	.2
18	2177753-0	2	HOSE CLAMP 16-25/9	.2
20	2178287-1	1	HOSE, OIL DRAIN	.2
22	2174405-0	2	HOSE CLAMP 10-16/7,5	.2
24	2206210-1	1	GROUND WIRE ASSY.	.2



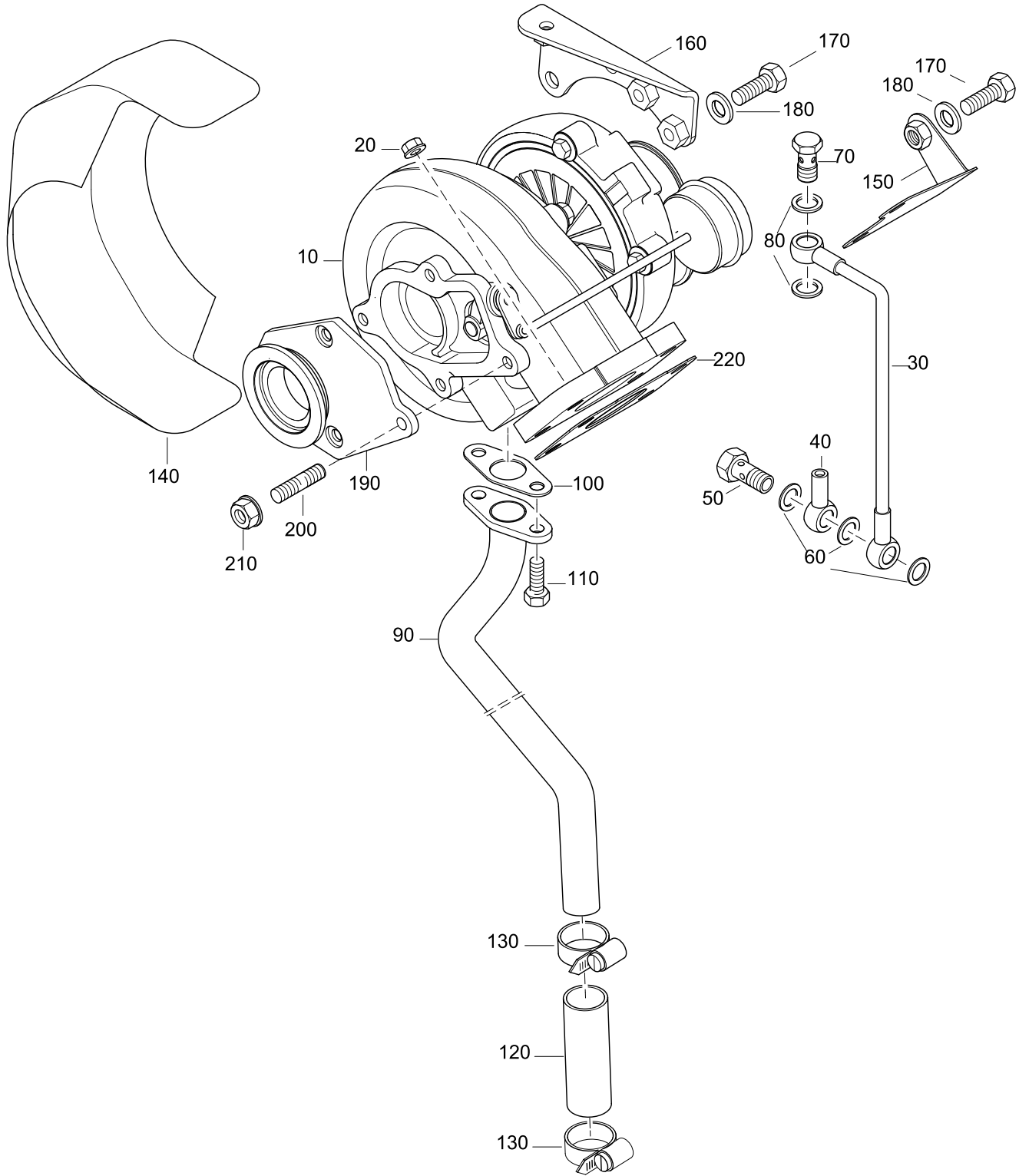


TA 0305

164 MARINE
TURBO DIESEL
+ SOLAS

TURBOCHARGER

03054094-1



TURBOCHARGER

164 MARINE
TURBO DIESEL
+ SOLAS

03054094-1

Pos.	Part.-No.	Qty	Designation	Step
10	Z002434-0	1	TURBOCHARGER ASSY. 164 (PAINTED)	.2
20	2178640-0	4	HEX.FL. NUT, PREVG.TORQUE HEAT RESIST. EN 1664-M8-C2U-GA	.2
30	2203770-4	1	OIL INLET PIPE TURBOCHARGER	.2
40	2203772-0	1	BRACKET OIL PRESSURE SENSOR	.2
50	2203591-0	1	DOUBLE HOLLOW SCREW M12x1,5 DIN 7643-8	.2
60	3098013-0	3	SEALING RING DIN 7603-A12x18-CU	.2
70	2178569-1	1	HOLLOW SCREW M10x1,25	.2
80	3098011-0	2	SEALING RING DIN 7603-A10x16-CU	.2
90	2203760-0	1	PIPE OIL-RETURN ASSY.	.2
100	2203278-0	1	GASKET OIL-RETURN TURBOCHARGER	.2
110	3800233-0	2	HEX.HD.SCR. ISO 4017-M6x16-A2-70	.2
120	2178573-4	1	HOSE OIL-RETURN TURBOCHARGER	.2
130	2177753-0	2	HOSE CLAMP 16-25/9 EN 10088-1	.2
140	2203749-2	1	HEAT PROTECTING TURBO MARINE 4 CYL.	.2
150	2203825-0	1	BRACKET BOOST PRESSURE TIN	.2
160	2203827-2	1	BRACKET RAW WATER PIPE	.2
170	3800224-0	3	HEX.HD.SCR. ISO 4017-M8x20-A2-70	.2
180	3930103-0	3	WASHER DIN 125-8.4-140HV-A2	.2
190	Z002426-0	1	FLANGE TURBO INCL. SCREWS	.2
200	2178608-6	4	STUD HIGH TEMPERATURE RESISTANT DIN 939-M8x15	.2
210	2178640-0	4	HEX.FL. NUT, PREVG.TORQUE HEAT RESIST. EN 1664-M8-C2U-GA	.2
220	2200309-1	1	GASKET TURBOCHARGER	.2



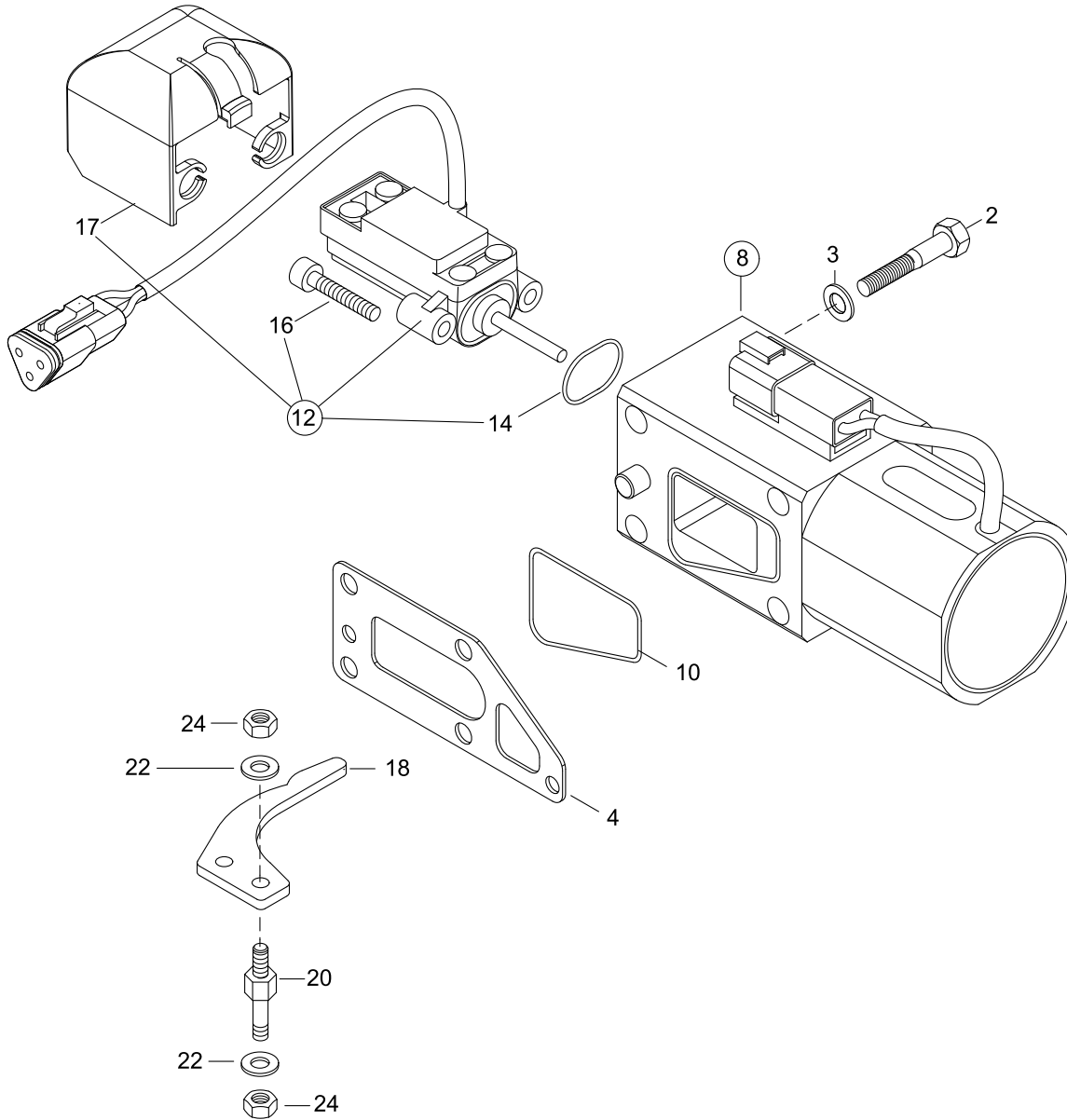


TA 0308

164 MARINE
TURBO DIESEL
+ SOLAS

CONTR. SOLENOID, POTENTIOMETER

03084084-1





CONTR. SOLENOID, POTENTIOMETER	164 MARINE TURBO DIESEL + SOLAS
---------------------------------------	---

03084084-1

Pos.	Part.-No.	Qty	Designation	Step
2	9000446-1	4	HEX.HD.BOLT ISO 4014-M8x70-A4-70	.2
3	3930103-0	4	WASHER DIN 125-8.4-140HV-A2	.2
4	2205223-0	1	SEAL, SOLENOID (TILL 2006)	.2
8	Z002153-0	1	CONTROL SOLENOID W. SENSOR CONTROL RACK POSITION	.2
10	2179707-0	1	O-RING 43x3,5	..3
12	Z002160-0	1	SENSOR, CONTROL RACK POSITION	..3
14	2179708-0	1	O-RING 18x1,5	..3
16	9000116-1	2	HEX.SOCK. HD.CAP SCR. DIN 912-M5x20-A2-70	..3
17	2179766-0	1	PROTECTING CAP, RACK-SENSOR	..3
18	2176745-2	1	CONTROL-LEVER	.2
20	2176746-1	2	DISTANCE-SHAFT	.2
22	3931062-0	4	SPRING LOCK WASHER DIN 127-B5-FST-A3C	.2
24	3871222-0	4	HEX.NUT ISO 4032-M5-8-A2C	.2



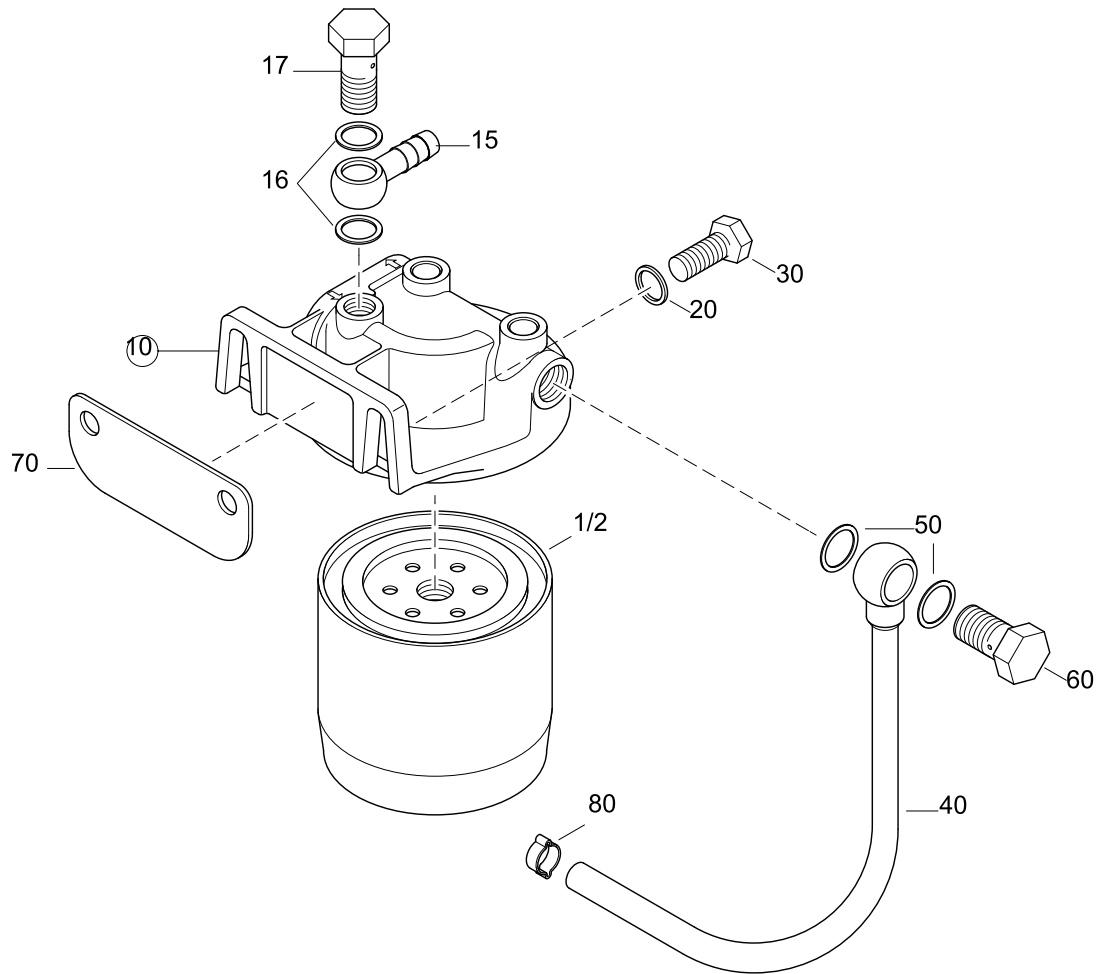


TA 0309

164 MARINE
TURBO DIESEL
+ SOLAS

FUEL FILTER

03094084-1



FUEL FILTER



03094084-1

Pos.	Part.-No.	Qty	Designation	Step
1	2203710-0	1	FUEL FILTER CARTIDGE SHORT	.2
2	2177745-1	1	FUEL FILTER CARTRIDGE	.2
10	Z002624-0	1	BRACKET FUEL-FILTER & BANJO FITTING (PAINTED)	.2
15	2174383-1	1	BANJO FITTING DN8 DIN 7642-A2C	..3
16	3098015-0	2	SEALING RING DIN 7603-A14x20-CU	..3
17	9000053-0	1	HOLLOW SCREW M14x1,5 DIN 7643-10-DAC A500	..3
20	3930075-0	2	WASHER DIN 125 A10.5-140HV-A2	.2
30	3802532-0	2	HEX.HD.SCR. ISO 4017-M10x35-8.8	.2
40	2203765-2	1	FUEL LINE FILTER-PUMP	.2
50	3098015-0	2	SEALING RING DIN 7603-A14x20-CU	.2
60	9000053-0	1	HOLLOW SCREW M14x1,5 DIN 7643-10-DAC A500	.2
70	2203736-2	1	RETAINING STRAP FUELPUMP	.2
80	2178995-0	1	HOSE CLAMP 17,5mm	.2



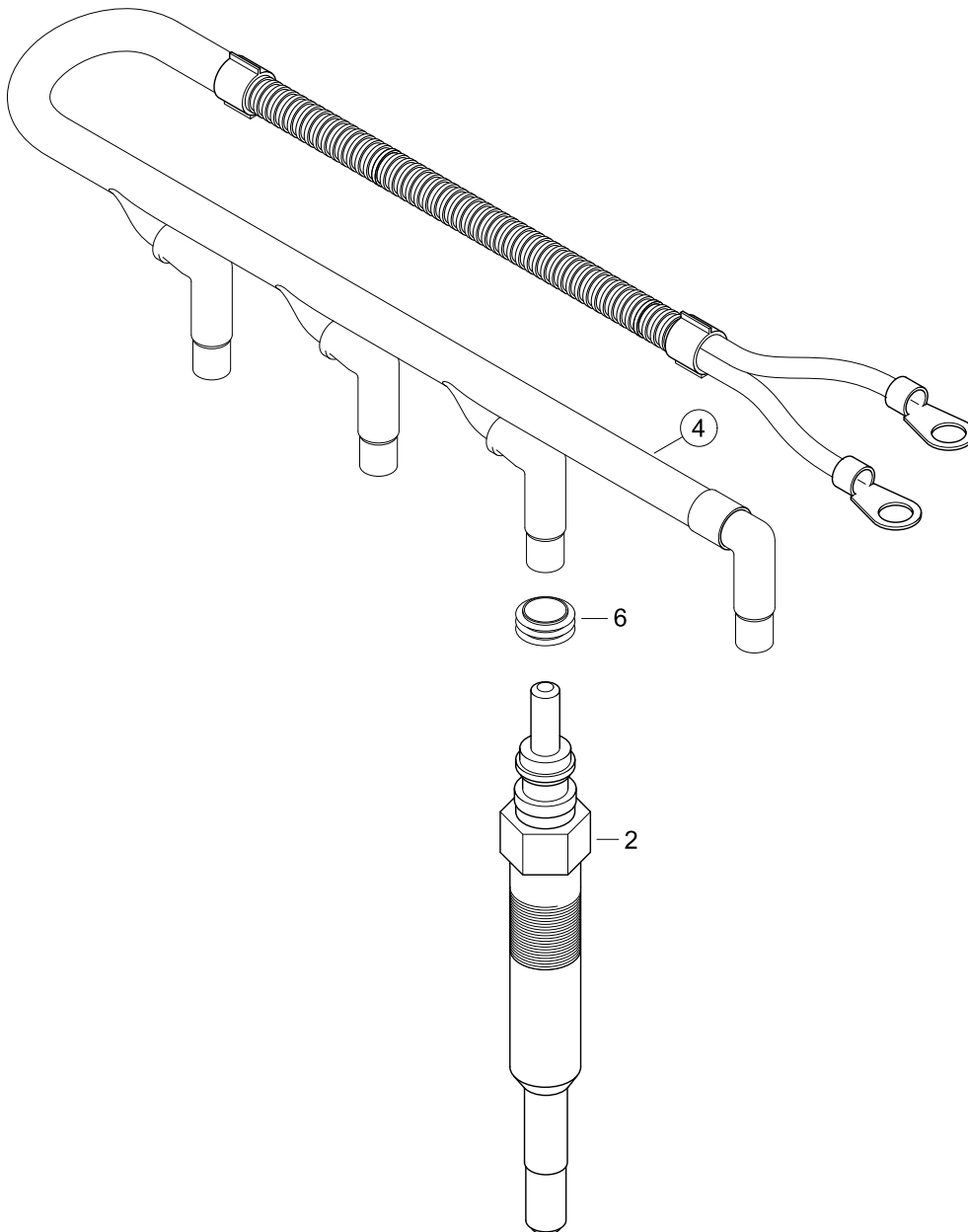


TA 0311

164 MARINE
TURBO DIESEL
+ SOLAS

GLOW PIN

03114084-0





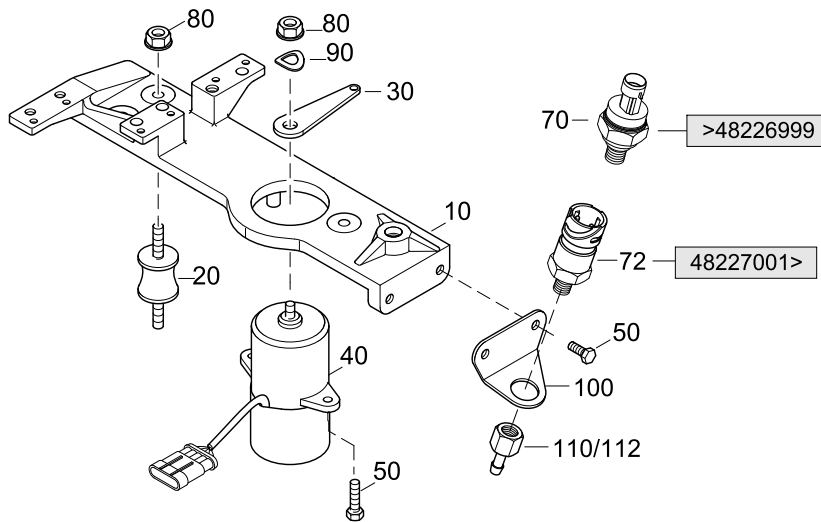
TA 0312

164 MARINE
TURBO DIESEL
+ SOLAS

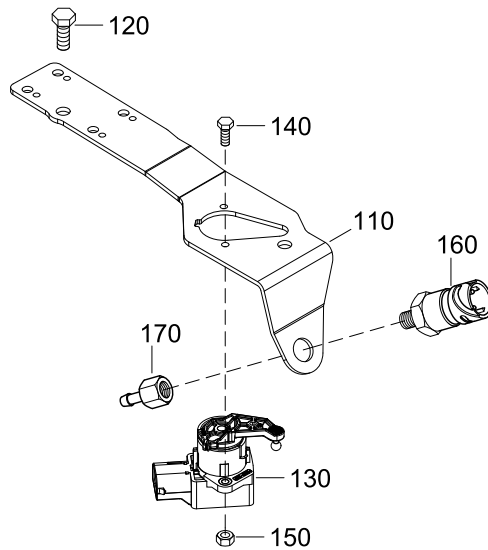
POT. ACCELE., BOOST PRESSURE SENSOR

03124094-0

TILL 482330249 -->



FROM 482330250 -->



POT. ACCELE., BOOST PRESSURE SENSOR



03124094-0

Pos.	Part.-No.	Qty	Designation	Step
10	2203771-9	1	SHIFTPLATE PAINTED	.2
20	2203744-0	3	RUBBER MOUNT	.2
30	2203777-0	1	LEVER POTENTIOMETER	.2
40	2176860-1	1	POTENTIOMETER ACCELERATOR	.2
50	3800238-0	4	HEX.HD.SCR. ISO 4017-M6x12-A2-70	.2
70	2203820-0	1	BOOST-PRESSURE-SENSOR 3,5 bar (WITH O-RING GASKET) —>48226999	.2
72	2206305-0	1	PRESSURE SENSOR 1-8 27 NPT 48227001—>	.2
80	3880049-0	4	HEX.FLANGE NUT EN 1661-M6-A2-70	.2
90	3932008-0	1	SPRING WASHER DIN 137-B6-FST-A3C	.2
100	2203824-0	1	BRACKET BOOST PRESSURE SENSOR	.2
110	2203834-0	1	ADAPTER BOOST PRESSURE SENSOR —>48226999	.2
112	2203834-1	1	ADAPTER BOOST PRESSURE SENSOR 48227001—>	.2
120	2204054-0	1	BRACKET POTENTIOMETER	.2
130	3800224-0	2	HEX.HD.SCR. ISO 4017-M8x20-A2-70	.2
140	2180847-0	1	POTENTIOMETER ACCELERATOR	.2
150	2309129-0	2	HEX. SOCKET HEAD CAP SCREW ISO 4762-M4x12-A2-70	.2
160	3870051-0	2	HEX.NUT ISO 4032-M4-A2-70	.2
170	2206305-0	1	PRESSURE SENSOR 1-8 27 NPT	.2
180	2203834-1	1	ADAPTER BOOST PRESSURE SENSOR	.2





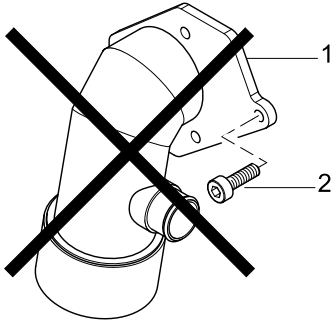
TA 0401

164 MARINE
TURBO DIESEL
+ SOLAS

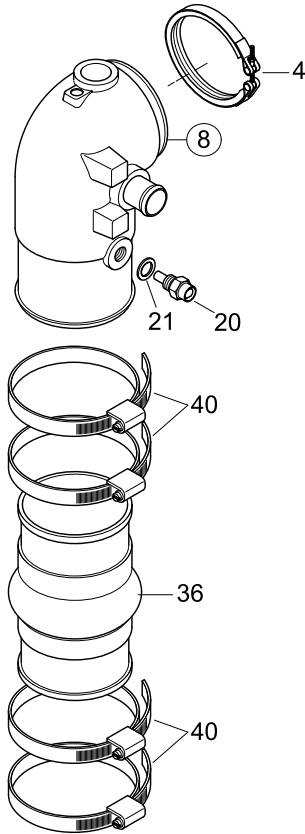
HIGH RISER, EXHAUSTPIPE

04014094-0

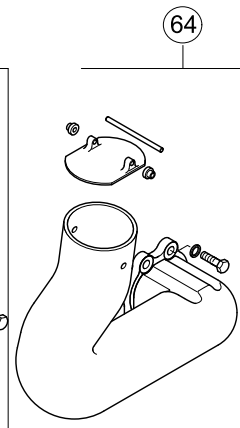
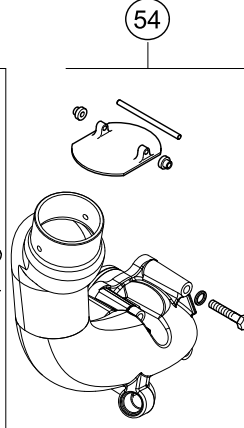
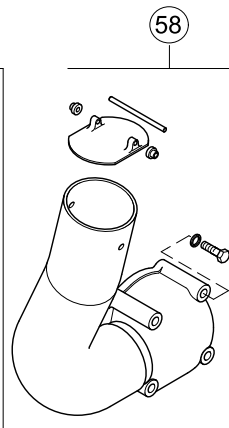
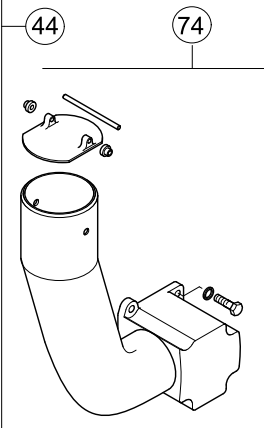
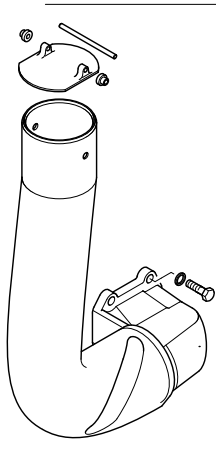
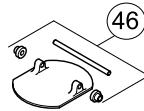
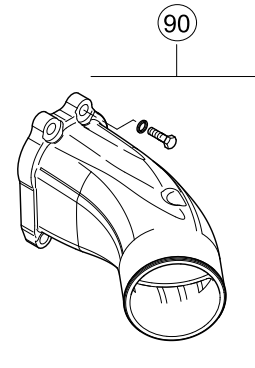
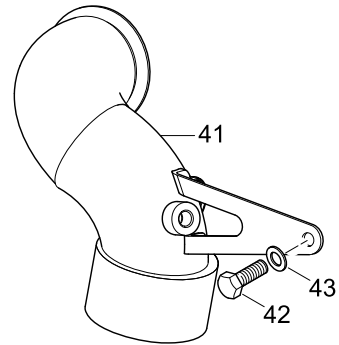
--> 48222010



48222011 -->



48222078 -->



HIGH RISER, EXHAUSTPIPE



04014094-0

Pos.	Part.-No.	Qty	Designation	Step
1	2203831-0	1	EXHAUST HIGH RISER -> NEW NUMBER Z002487-0	.2
2	2174900-0	4	HEX.SOCK.HD.CAP.SCR.-H.R. M8x20	.2
4	2173297-0	1	CLAMP	.2
8	Z002095-0	1	ELBOW ASSY. EXHAUST (PAINTED)	.2
20	2174623-3	1	COOLANT TEMPERATURE SENSOR	.2
21	9000786-0	1	SEALING RING DIN 7603-A12x16-CU	.2
36	Z002072-0	1	KIT, HOSE-EXHAUST PIPE	.2
40	2178943-0	4	HOSE CLAMP 90-110/12	..3
41	2203836-0	1	EXHAUST HIGH RISER ASSY. MHI	.2
42	3800224-0	1	HEX.HD.SCR. ISO 4017-M8x20-A2-70	.2
43	3930103-0	1	WASHER DIN 125-8.4-140HV-A2	.2
44	2178896-0	1	EXHAUST PIPE AY. (PAIN.) VOLVO SX/OMC KING COBRA	.2
46	Z002063-0	1	FLAP KIT, EXHAUST PIPE	..3
54	2178885-0	1	EXHAUST PIPE AY. (PAIN.) VOLVO DP290 R4, R6	.2
64	2178886-1	1	EXHAUST PIPE AY. (PAIN.) MERCURY	.2
74	2178925-0	1	EXHAUST PIPE AY. (PAIN.) STERNPOWER	.2
90	Z002121-0	1	EXHAUST FLANGE MERCURY-TRANSOM (PAINTED)	.2



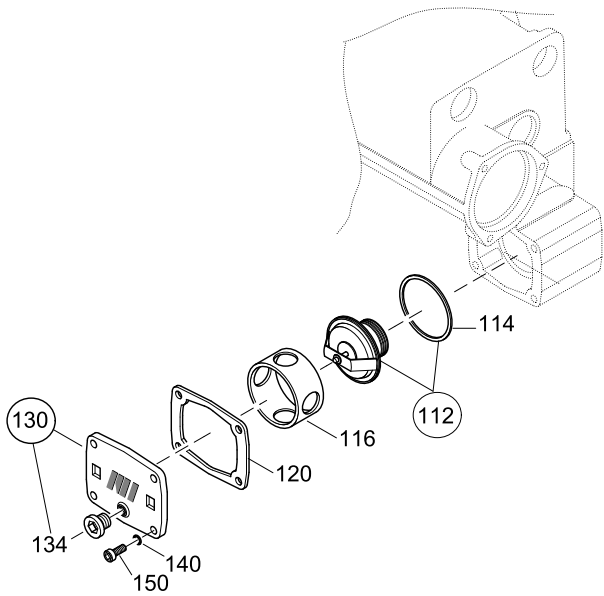
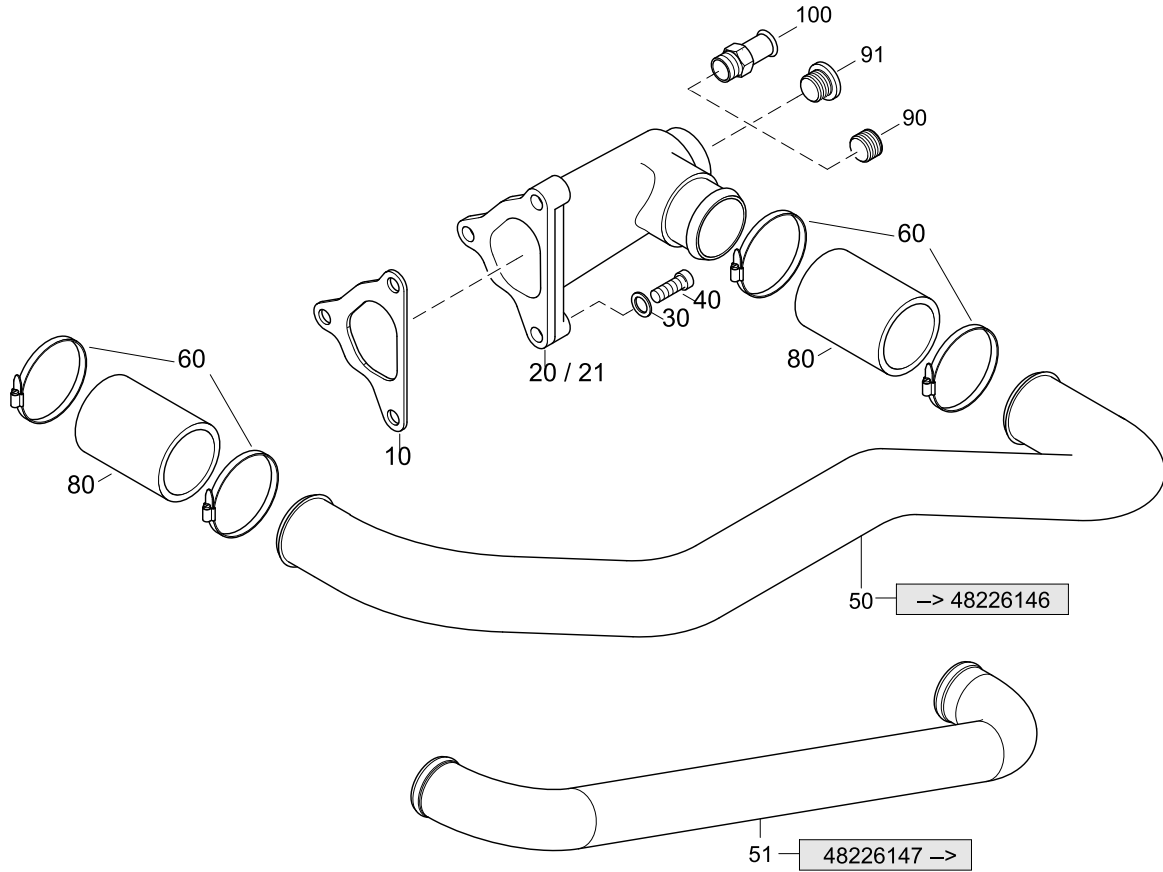


TA 0503

164 MARINE
TURBO DIESEL
+ SOLAS

WATERPIPE, THERMOSTAT

05034084-0



WATERPIPE, THERMOSTAT



05034084-0

Pos.	Part.-No.	Qty	Designation	Step
10	2177572-0	1	GASKET COOLANT MANIFOLD	.2
20	2177571-9	1	MANIF.COOLANT INLET, 1/2-14NPT PAINTED —>48218999	.2
21	2177571-7	1	COOLANT INLET ASSY. M22x1,5 (PAINTED) 48219001—>	.2
30	3932008-0	3	SPRING WASHER DIN 137-B6-FST-A3C	.2
40	3862327-0	3	HEX.SOCK. HD.CAP SCR. DIN 912-M6x25-8.8-A2C	.2
50	2203735-0	1	PIPE ENGINE-COOLANT —>48226146	.2
51	2203735-1	1	PIPE ENGINE-COOLANT 48226147—>	.2
60	2174406-0	4	HOSE CLAMP 25-40/9	.2
80	2177867-0	2	HOSE, ENGINE COOLANT	.2
90	O913564-0	1	SCREW PLUG 1/2-14 NPTF —>48218999	.2
91	9000590-0	1	HEX.SOCK.SCR.PLUG WITH RUBBER SEAL M22x1,5 48219001—>	.2
100	2178607-1	1	HOSE CONNECTOR HEATER —>48218999	.2
112	2173621-1	1	THERMOSTAT WITH SEALING RING 80°C	.2
114	2178414-0	1	SEALING RING THERMOSTAT	..3
116	2178946-0	1	RETAINER THERMOSTAT	.2
120	2178339-0	1	GASKET THERMOSTAT COVER	.2
130	2178204-9	1	COVER, THERMOSTAT HOUSING (PAINTED)	.2
134	9000586-0	1	HEX.SOCK.SCR.PLUG WITH RUBBER SEAL M12x1,5	..3
140	3932008-0	4	SPRING WASHER DIN 137-B6-FST-A3C	.2
150	3862320-0	4	HEX.SOCK. HD.CAP SCR. DIN 912-M6x20-8.8-A2C	.2



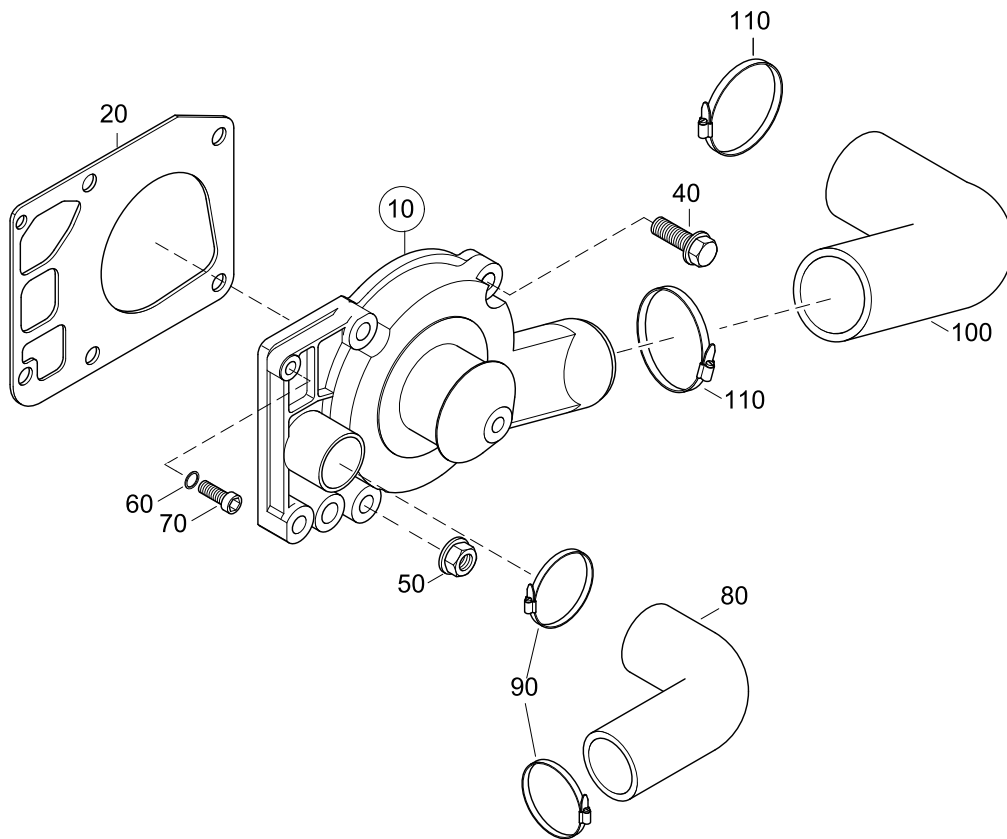


TA 0504

164 MARINE
TURBO DIESEL
+ SOLAS

WATERPUMP

05044084-0



WATERPUMP

164 MARINE
TURBO DIESEL
+ SOLAS

05044084-0

Pos.	Part.-No.	Qty	Designation	Step
10	Z002425-0	1	WATERPUMP ASSY. (PAINTED) INCL. GASKET	.2
20	2177329-2	1	GASKET WATERPUMP-HOUSING	.3
40	9000431-0	4	HEX.FLANGE BOLT EN 1665-M8x30-10.9-DAC	.2
50	9000056-1	1	HEX.FLANGE NUT DIN 6923-M8-8-A2C	.2
60	3932008-0	1	SPRING WASHER DIN 137-B6-FST-A3C	.2
70	3862327-0	1	HEX.SOCK. HD.CAP SCR. DIN 912-M6x25-8.8-A2C	.2
80	2178462-0	1	HOSE-ELBOW 32/90°x 88	.2
90	2174406-0	2	HOSE CLAMP 25-40/9	.2
100	2173812-0	1	HOSE-ELBOW	.2
110	2174407-0	2	HOSE CLAMP 40-60/9	.2



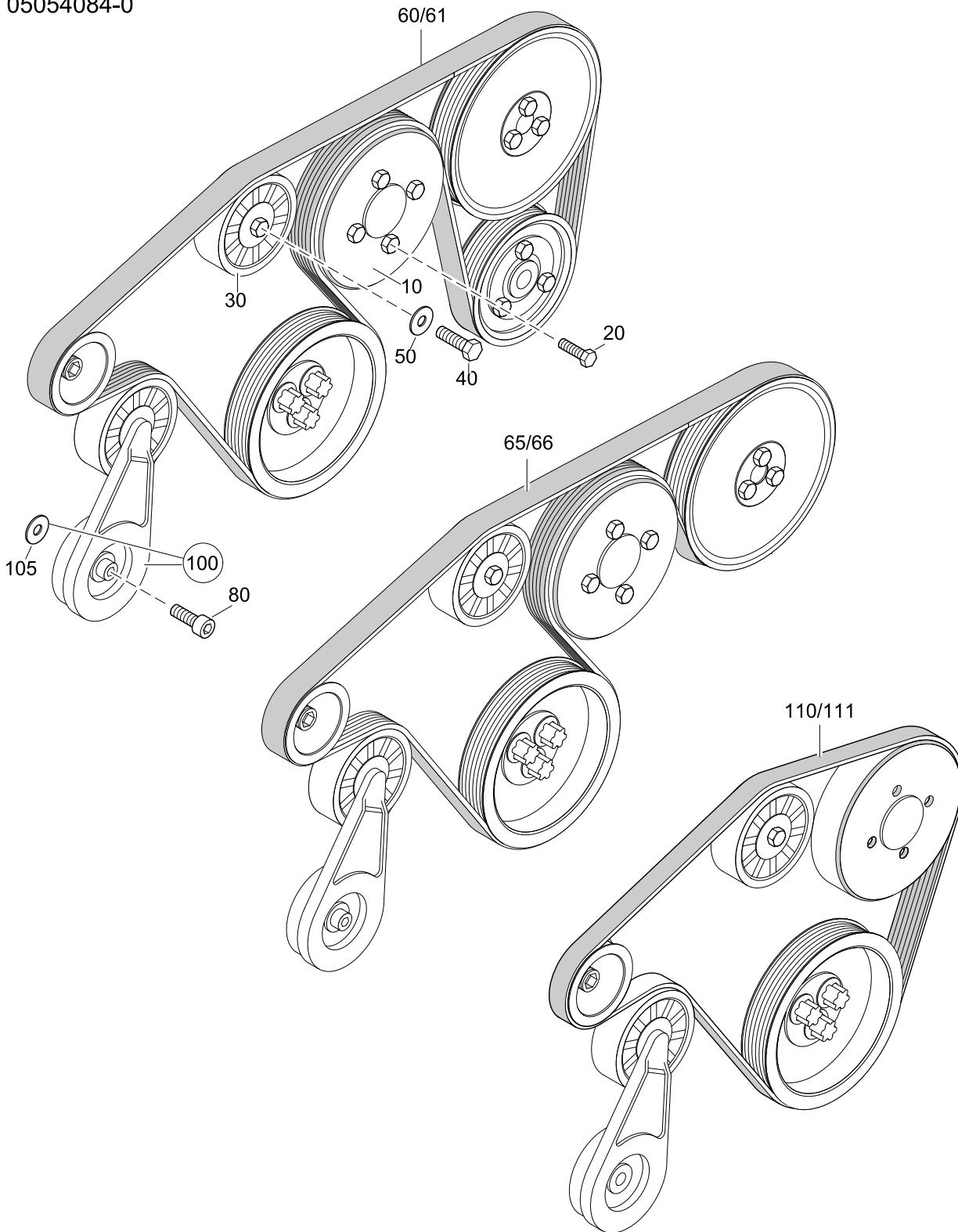


TA 0505

164 MARINE
TURBO DIESEL
+ SOLAS

DRIVE BELTS, PULLEYS, TENSIONER

05054084-0





DRIVE BELTS, PULLEYS, TENSIONER

164 MARINE
TURBO DIESEL
+ SOLAS

05054084-0

Pos.	Part.-No.	Qty	Designation	Step
10	2203562-1	1	PULLEY (KTL)	.2
20	9000287-0	4	HEX.FLANGE BOLT EN 1665-M6x12-8.8-A3C	.2
30	2203559-0	1	IDLER PULLEY ASSY.	.2
40	3802527-0	1	HEX.HD.SCR. ISO 4017-M10x30-A4	.2
50	3936107-0	1	WASHER LARGE SERIES ISO 7093-10,5-140HV-A4	.2
60	2203742-0	1	POLY-V BELT L=1855 →482330249	.2
61	2205726-0	1	POLY-V BELT L=1845 482330250→	.2
65	2203742-1	1	POLY-V BELT L=1675 →482330249	.2
66	2204061-0	1	POLY-V BELT L=1660 482330250→	.2
80	3862552-0	1	HEX.SOCK. HD.CAP SCR. ISO 4762-M10x60-8.8-A2C	.2
100	Z002421-0	1	SPARE P. TENSIONER POLY-V BELT	.2
105	9000438-0	1	SHIMRING DIN 988-10x16x0.3	..3
110	2205539-1	1	POLY-V BELT L=1005mm →482330249	.2
111	2204062-0	1	POLY-V BELT L=985 482330250→	.2



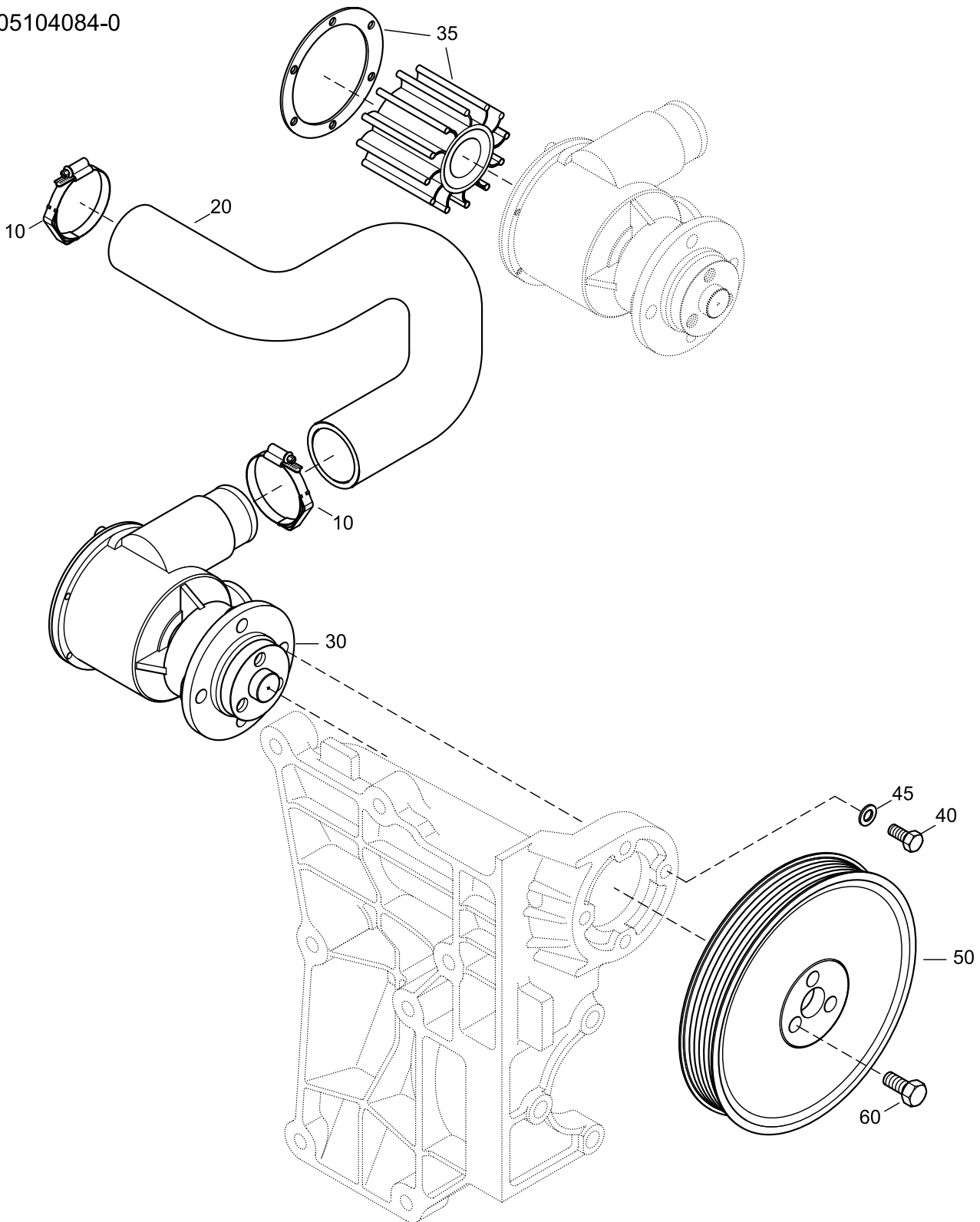


TA 0510

164 MARINE
TURBO DIESEL
+ SOLAS

RAW WATER PUMP

05104084-0





RAW WATER PUMP	164 MARINE <small>TURBO DIESEL</small> + SOLAS
-----------------------	--

05104084-0

Pos.	Part.-No.	Qty	Designation	Step
10	2179044-0	2	HOSE CLAMP WITH SPRING 25-40/9	.2
20	2203768-0	1	HOSE PUMP-TANDEM COOLER	.2
30	2203714-9	1	RAW WATER PUMP (PAINTED)	.2
35	Z011753-2	1	SERVICE KIT, RAW WATER PUMP (WITH GREASE)	.2
40	3800221-0	4	HEX.HD.SCR. ISO 4017-M6x20-A2-70	.2
45	3930070-0	4	WASHER DIN 125-6-140HV-A2	.2
50	2203746-0	1	PULLEY RAW WATER PUMP	.2
60	3860152-0	3	HEX.SOCK. HD.CAP SCR. DIN 912-M8x16-A2-70	.2



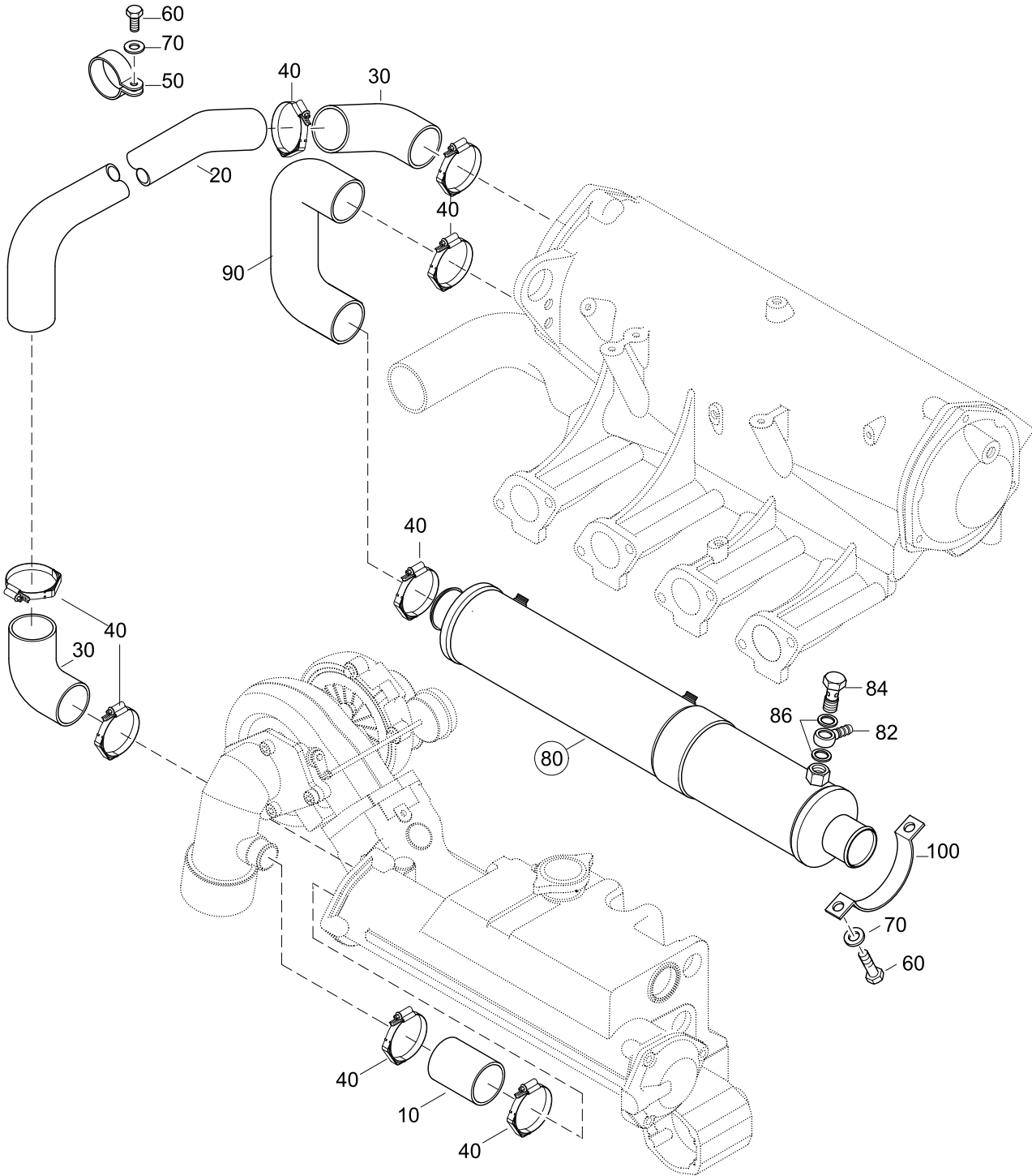


TA 0512

164 MARINE
TURBO DIESEL
+ SOLAS

RAW WATER PIPES, FUEL-OIL COOLER

05124094-0





RAW WATER PIPES, FUEL-OIL COOLER	164 MARINE TURBO DIESEL + SOLAS
---	---

05124094-0

Pos.	Part.-No.	Qty	Designation	Step
10	2177759-0	1	COOLANT HOSE 32/40x155	.2
20	2203758-0	1	PIPE ENGINE-COOLANT	.2
30	2173704-0	2	HOSE-ELBOW 32/90°x 58	.2
40	2179044-0	8	HOSE CLAMP WITH SPRING 25-40/9	.2
50	2178446-0	1	PIPE CLAMP 32/15	.2
60	3800233-0	5	HEX.HD.SCR. ISO 4017-M6x16-A2-70	.2
70	3930070-0	5	WASHER DIN 125-6-140HV-A2	.2
80	Z002097-0	1	TANDEM COOLER ASSY. (PAINTED)	.2
82	2174383-1	1	BANJO FITTING DN8 DIN 7642-A2C	.3
84	9000053-0	1	HOLLOW SCREW M14x1,5 DIN 7643-10-DAC A500	.3
86	3098015-0	2	SEALING RING DIN 7603-A14x20-CU	.3
90	2203769-0	1	MOLDED HOSE TDK-INTERCOOLER	.2
100	2203731-0	2	PIPE CLAMP 42/15	.2





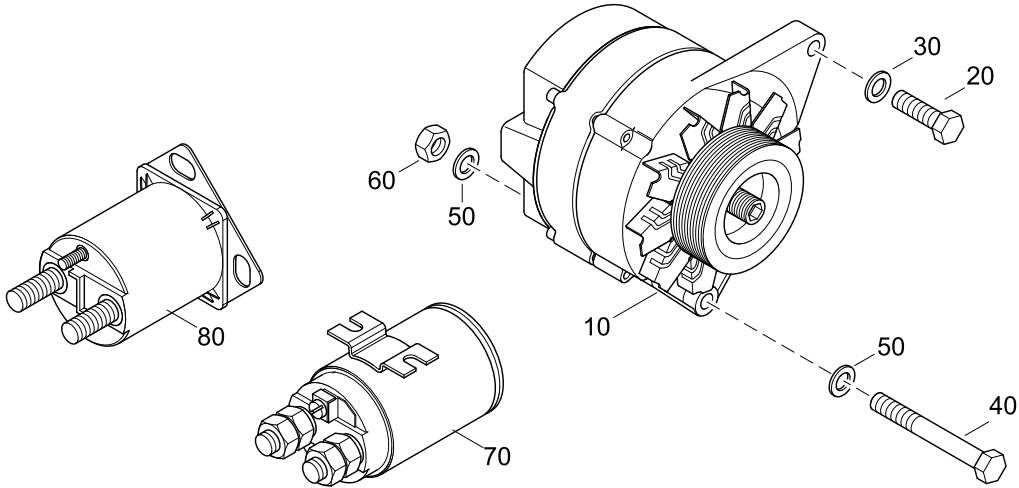
TA 0601

164 MARINE
TURBO DIESEL
+ SOLAS

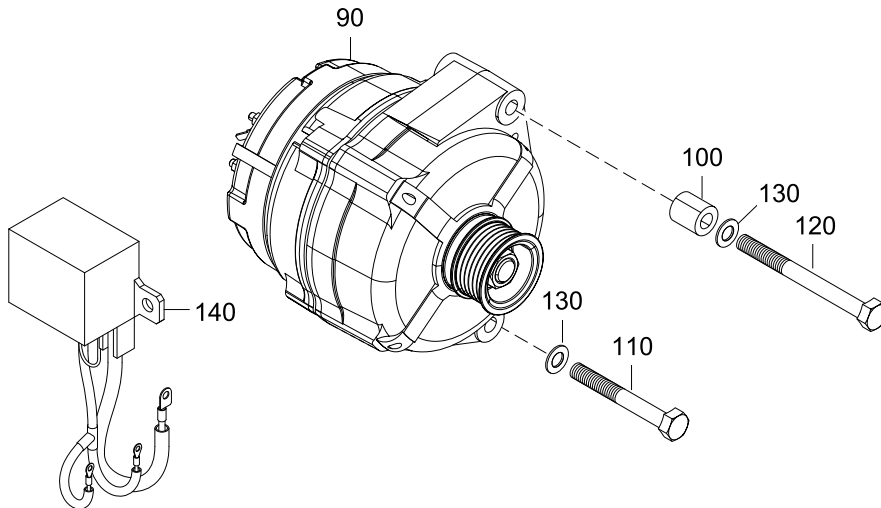
ALTERNATOR

06014084-0

TILL --> 482330249



FROM 482330250 -->



ALTERNATOR	164 MARINE <small>TURBO DIESEL</small> + SOLAS
-------------------	--

06014084-0

Pos.	Part.-No.	Qty	Designation	Step
10	2203713-9	1	ALTERNATOR 14V-90A (PAINTED)	.2
20	3802437-0	1	HEX.HD.SCR. ISO 4017-M8x35-8.8-A2C	.2
30	3930103-0	1	WASHER ISO 7089-8.4-140HV-A2	.2
40	3800575-0	1	HEX.HD.BOLT ISO 4014-M10x130-8.8-A3C	.2
50	3930075-0	2	WASHER ISO 7089 A10.5-140HV-A2	.2
60	3870030-0	1	HEX.NUT ISO 4032-M10-A2-70	.2
70	9000457-0	1	RELAY 12V-150A	.2
80	2206161-0	1	POWER SOLENOID 12V	.2
90	Z026127-0	1	ALTERNATOR ASSY. 14V-120A (PAINTED)	.2
100	2180116-0	1	SLIDING COLLAR	.2
110	3800571-0	1	HEX.HD.BOLT ISO 4014-M10x80-8.8-A3C	.2
120	3800568-0	1	HEX.HD.BOLT ISO 4014-M10x100-8.8-A3C	.2
130	3930271-0	2	WASHER ISO 7089-10-140HV-A3C	.2
140	2204057-0	1	CABLE LOOM 2-POLE	.2



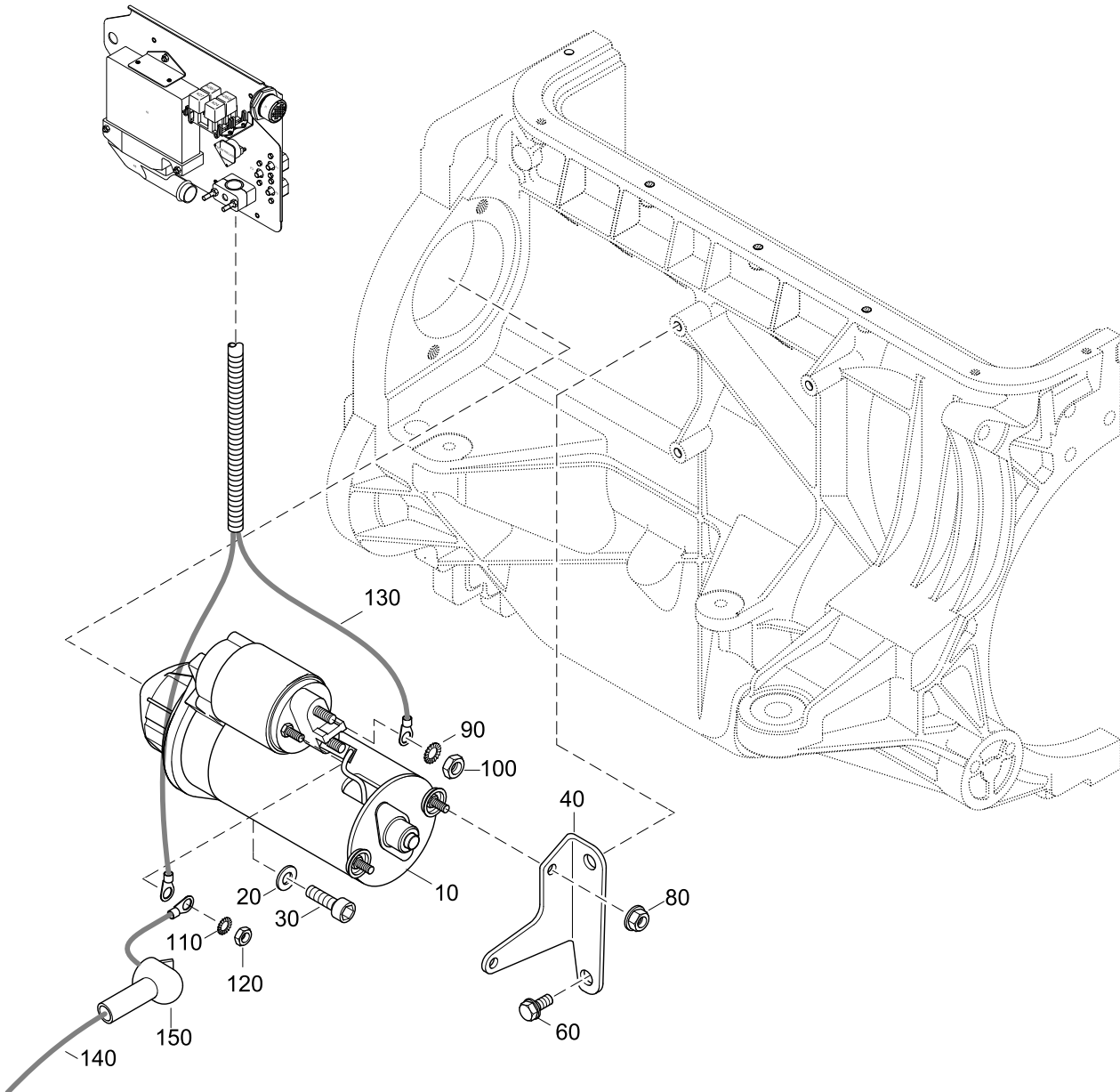


TA 0603

164 MARINE
TURBO DIESEL
+ SOLAS

STARTING

06034084-0





STARTING

164 MARINE
TURBO DIESEL
+ SOLAS

06034084-0

Pos.	Part.-No.	Qty	Designation	Step
10	2040077-8	1	STARTER 12V (PAINTED)	.2
20	3932025-0	2	SPRING WASHER DIN 137-A10-FST-A3C	.2
30	3860149-0	2	HEX.SOCK.HD.CAP SCR. DIN 912-M10x40-8.8-A3C	.2
40	2203730-0	1	BRACKET STARTER	.2
60	9000305-0	2	HEX.FLANGE BOLT EN 1665-M8x20-10.9-DAC	.2
80	3880049-0	2	HEX.FLANGE NUT DIN 6923-M6-A2-70	.2
90	9000013-0	2	TOOTHED LOCKWASHER EXTERNAL DIN 6797-A8.4-1.4310	.2
100	3870045-0	1	HEX.NUT ISO 4032-M8-A2-70	.2
110	9000040-0	1	TOOTHED LOCKWASHER EXTERN. DIN 6797-A5.3-1.4310	.2
120	3870050-0	1	HEX.NUT DIN 934-M5-A2-70	.2
130	Z002167-0	1	HARNES STARTER (SPARE)	.2
140	2206213-0	1	BATTERY CABLE RED	.2
150	O910111-0	1	RUBBER PROTECTION CAP	.2



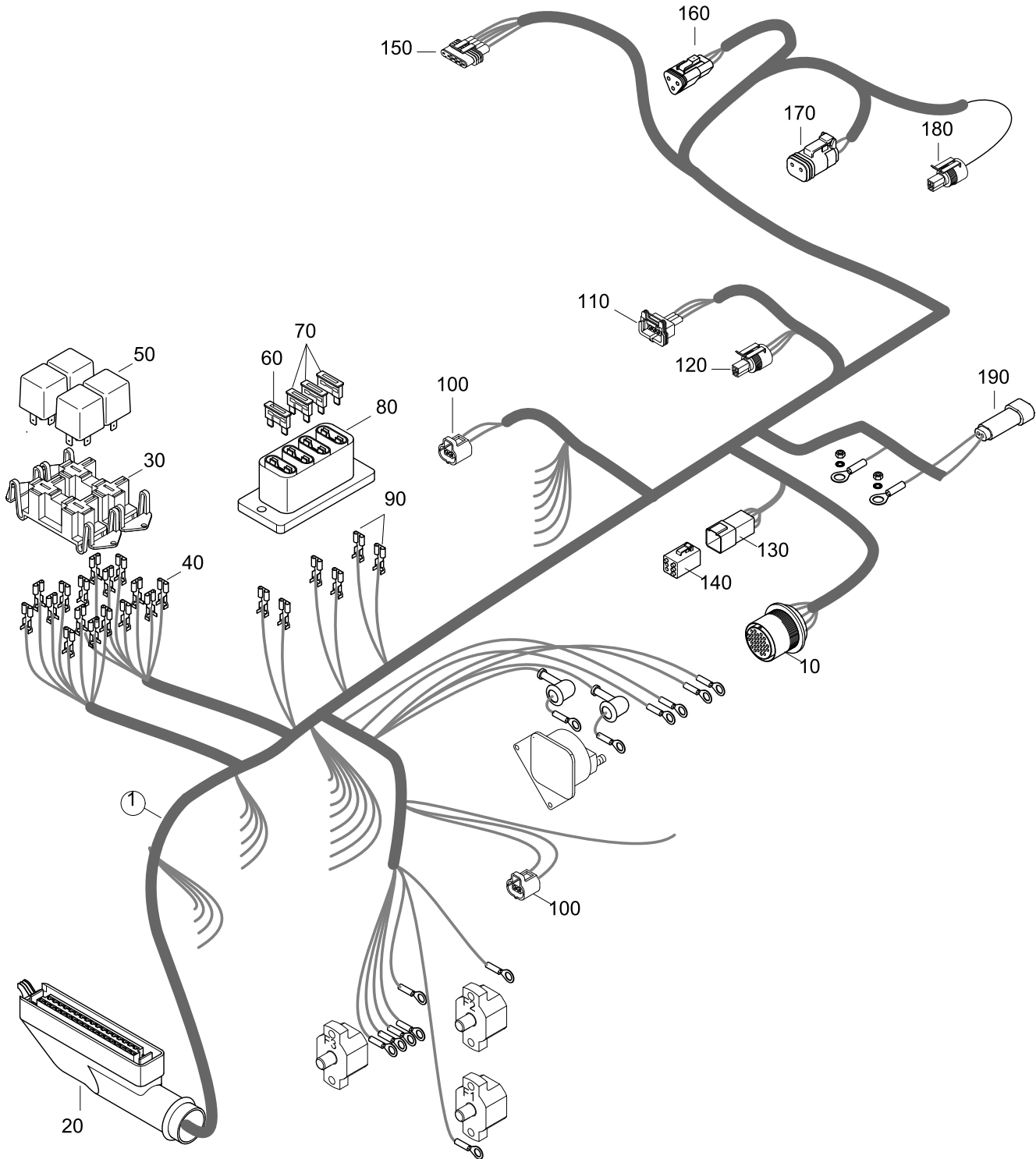


TA 0605

164 MARINE
TURBO DIESEL
+ **SOLAS**

ENGINE HARNESS
--> 48221107

06054094-0



ENGINE HARNESS
--> 48221107

164 MARINE
TURBO DIESEL
+ SOLAS

06054094-0

Pos.	Part.-No.	Qty	Designation	Step
1	2206207-H	1	ENGINE HARNESS	.2
10	Z002410-0	1	CABLE-PLUG PAIR COMPL. 23-POLE	..3
20	Z002411-0	1	RECEPTACLE COMPL. ECU	..3
30	O334191-0	2	RELAY BRACKET	..3
40	3499650-0	19	RECEPTACLE 6,3-2,5	..3
50	9000183-0	3	RELAY 12V 40A	..3
60	12156	1	FUSE 5A, LIGHTBRAUN	..3
70	11345	3	FUSE 10A, RED	..3
80	2206152-0	1	FUSE CARRIER 4 WAY	..3
90	9000125-0	6	BLADE TERMINAL 6,3x2,5 / 1,5-2,5	..3
100	Z002046-1	2	CONNECTOR COOLANT TEMP. SENSOR	..3
110	Z002412-0	1	PLUG COMPL. REVOLUTION SENSOR	..3
120	Z002413-0	1	CONNECTOR OIL PRESSURE SENSOR	..3
130	Z002415-0	1	PLUG COMPL. DIAGNOSTIC 6 WAY	..3
140	2178729-3	1	DIAGNOSTIC PLUG 6-WAY	..3
150	Z002414-0	1	CONNECTOR POTENTI. ACCELERATOR	..3
160	Z002416-0	1	PLUG POT. CONTROL ROD POSITION 3-POLE	..3
170	Z002417-0	1	PLUG COMPL. CONTROL SOLENOID 2-POLE	..3
180	Z002418-1	1	PLUG BOOST PRESSURE SENSOR 3 WAY	..3
190	Z002419-0	1	PLUG COMPL. GEAR SWITCH 2 WAY	..3



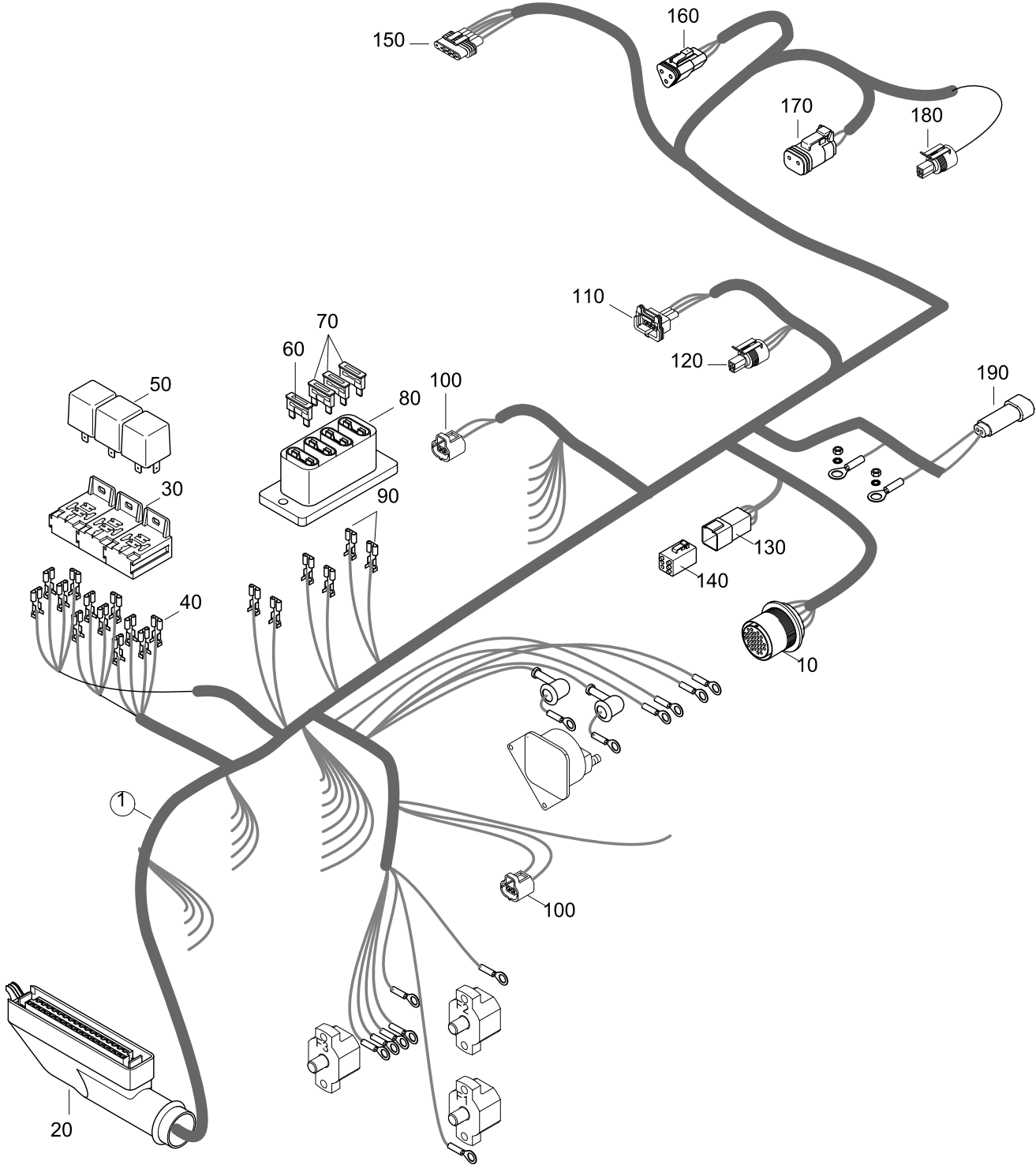


TA 0605

164 MARINE
TURBO DIESEL
+ **SOLAS**

ENGINE HARNESS
48221108 --> 48226999

06054094-1





ENGINE HARNESS
48221108 --> 48226999

164 MARINE
TURBO DIESEL
+ SOLAS

06054094-1

Pos.	Part.-No.	Qty	Designation	Step
1	2206207-3	1	ENGINE HARNESS ASSY. 12V - HP	.2
10	Z002410-0	1	CABLE-PLUG PAIR COMPL. 23-POLE	..3
20	Z002411-0	1	RECEPTACLE COMPL. ECU	..3
30	9000421-0	3	RELAY SOCKET	..3
40	3499650-0	19	RECEPTACLE 6,3-2,5	..3
50	9000183-0	3	RELAY 12V 40A	..3
60	12156	1	FUSE 5A, LIGHTBRAUN	..3
70	11345	3	FUSE 10A, RED	..3
80	2206152-0	1	FUSE CARRIER 4 WAY	..3
90	9000125-0	6	BLADE TERMINAL 6,3x2,5 / 1,5-2,5	..3
100	Z002046-1	2	CONNECTOR COOLANT TEMP. SENSOR	..3
110	Z002412-0	1	PLUG COMPL. REVOLUTION SENSOR	..3
120	Z002413-0	1	CONNECTOR OIL PRESSURE SENSOR	..3
130	Z002415-0	1	PLUG COMPL. DIAGNOSTIC 6 WAY	..3
140	2178729-3	1	DIAGNOSTIC PLUG 6-WAY	..3
150	Z002414-0	1	CONNECTOR POTENTI. ACCELERATOR	..3
160	Z002416-0	1	PLUG POT. CONTROL ROD POSITION 3-POLE	..3
170	Z002417-0	1	PLUG COMPL. CONTROL SOLENOID 2-POLE	..3
180	Z002418-1	1	PLUG BOOST PRESSURE SENSOR 3 WAY	..3
190	Z002419-0	1	PLUG COMPL. GEAR SWITCH 2 WAY	..3



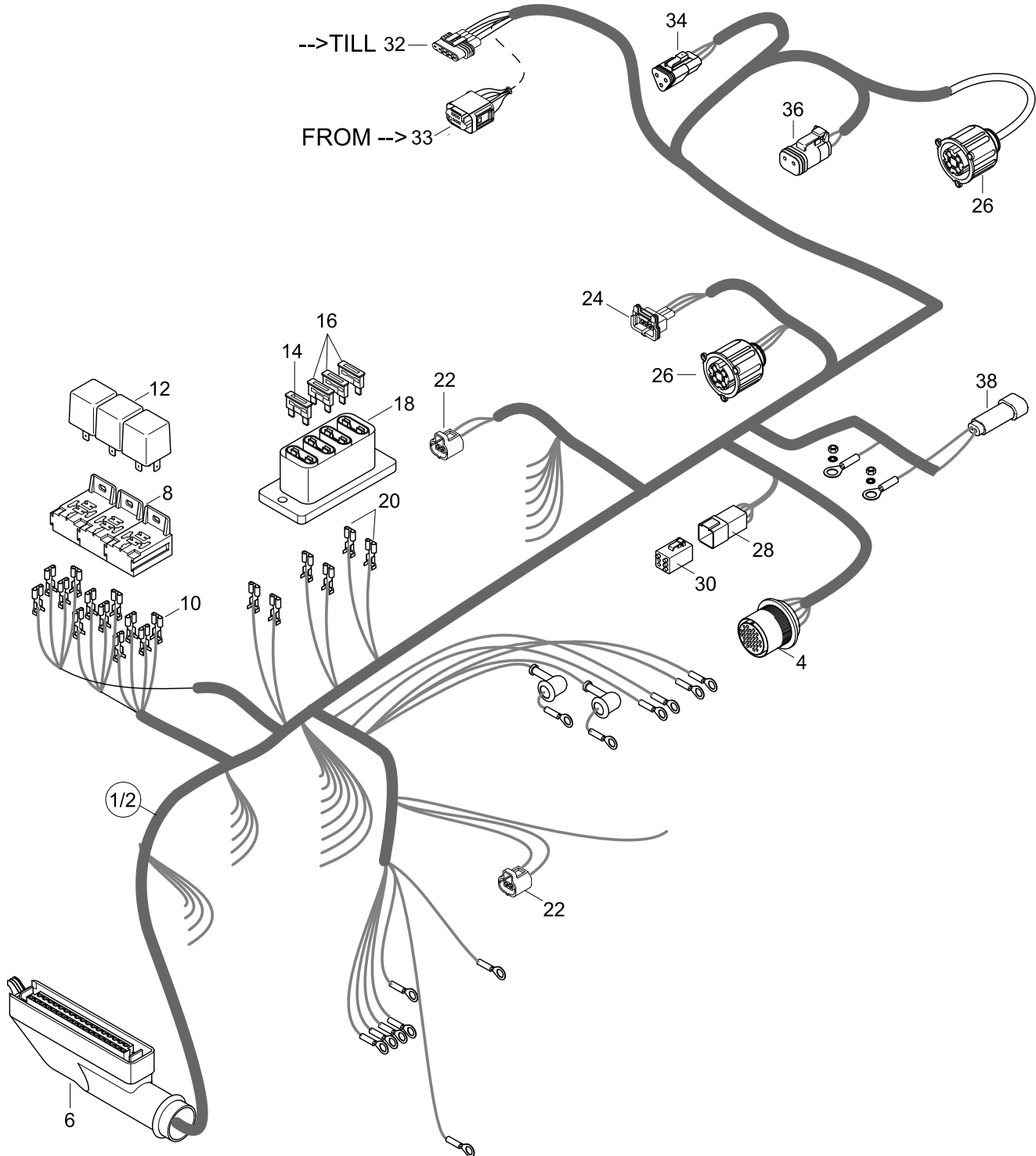


TA 0605

164 MARINE
TURBO DIESEL
+ **SOLAS**

ENGINE HARNESS
48227001 -->

06054084-2



ENGINE HARNESS 48227001 -->	164 MARINE TURBO DIESEL + SOLAS
---	---

06054084-2

Pos.	Part.-No.	Qty	Designation	Step
1	Z002143-0	1	ENGINE HARNESS ASSY. 12V 482270001 —> 482330249	.2
2	Z024016-0	1	ENGINE HARNESS ASSY. 12V 482330250—>	.2
4	Z002410-0	1	CABLE-PLUG PAIR COMPL. 23-POLE	..3
6	Z002411-0	1	CABLE PLUG COMPL. 35-POLE	..3
8	9000421-0	3	RELAY SOCKET	..3
10	3499650-0	19	RECEPTACLE 6,3-2,5	..3
12	9000183-0	3	RELAY 12V 40A	..3
14	12156	1	FUSE 5A, LIGHTBRAUN	..3
16	11345	3	FUSE 10A, RED	..3
18	2206152-0	1	FUSE CARRIER 4 WAY	..3
20	9000125-0	6	BLADE TERMINAL 6,3x2,5 / 1,5-2,5	..3
22	Z002046-1	2	CABLE PLUG COMPL. 2-POLE	..3
24	Z002412-0	1	PLUG COMPLETE 3-POLE	..3
26	Z002139-0	2	PLUG COMPLETE 3-POLE	..3
28	Z002415-0	1	PLUG COMPLETE 6-POLE	..3
30	2178729-3	1	DIAGNOSTIC PLUG 6-WAY	..3
32	Z002414-0	1	PLUG COMPLETE 5-POLE 482270001—>482330249	..3
33	Z002414-2	1	PLUG COMPLETE 6-POLE 482330250—>	..3
34	Z002416-0	1	PLUG COMPLETE 3-POLE	..3
36	Z002417-0	1	PLUG COMPLETE 2-POLE	..3
38	Z002419-0	1	PLUG COMPL. GEAR SWITCH 2 WAY	..3

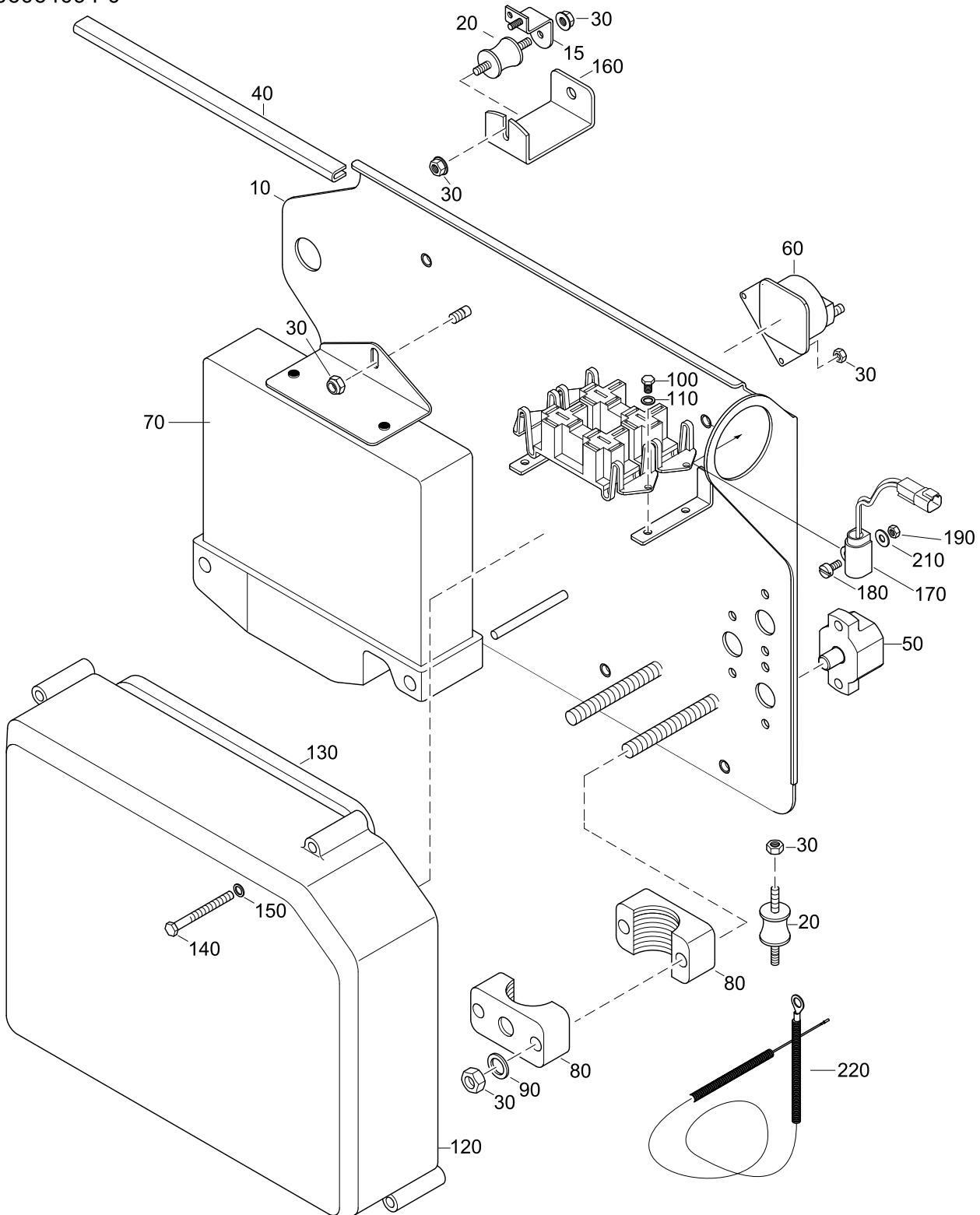


TA 0606

164 MARINE
TURBO DIESEL
+ SOLAS

SECURETYSYSTEM, FUSES, ECU, E-BOX
--> 48221107

06064094-0



SECURETYSYSTEM, FUSES, ECU, E-BOX
 --> 48221107



06064094-0

Pos.	Part.-No.	Qty	Designation	Step
10	2203723-0	1	BASEPLATE ENGINE ECU	.2
15	2203723-B	2	BRACKET BASEPLATE	..3
20	2203744-0	4	RUBBER MOUNT	.2
30	3880049-0	13	HEX.FLANGE NUT DIN 6923-M6-A2-70	.2
40	2173329-0	0.2	EDGE PROTECTOR	.2
50	O913774-0	3	AUTOMATIC CIRCUIT BREAKER 50A	.2
60	9000187-0	1	SOLENOID STARTER	.2
70	2176821-H	1	ECU 164 120kW - 4000rpm	.2
80	2203753-0	2	CLAMP, FASTEN ENGINE-HARNESS	.2
90	9000012-0	2	WASHER LARGE SERIES DIN 9021-6.4-140HV-A2	.2
100	2309121-1	4	CROSS REC.RAIS.CH.HD.SCR. DIN 7985-M4x10-4.8-H-A2C	.2
110	3930072-0	4	WASHER LARGE SERIES DIN 9021-4.3-A2	.2
120	2203720-0	1	COVERING, ENGINE ELECTRIC	.2
130	2171410-1	1	SEAL, COVERING ENGINE ELECTRIC	.2
140	9000003-0	5	HEX.SOCK. HD.CAP SCR. DIN 912-M5x55-A2-70	.2
150	3930069-0	5	WASHER ISO 7089-5-200HV-A2	.2
160	2203724-0	2	SUPPORT BASE PLATE	.2
170	2178971-G	1	INVERSION-SWITCHASSY	.2
180	3800304-0	1	HEX.HD.SCR. ISO 4017-M5x12-A2-70	.2
190	3870050-0	1	HEX.NUT DIN 934-M5-A2-70	.2
210	3930069-0	1	WASHER ISO 7089-5-200HV-A2	.2
220	2178975-0	1	CABLE INVERSION-SWITCH SOLAS	.2



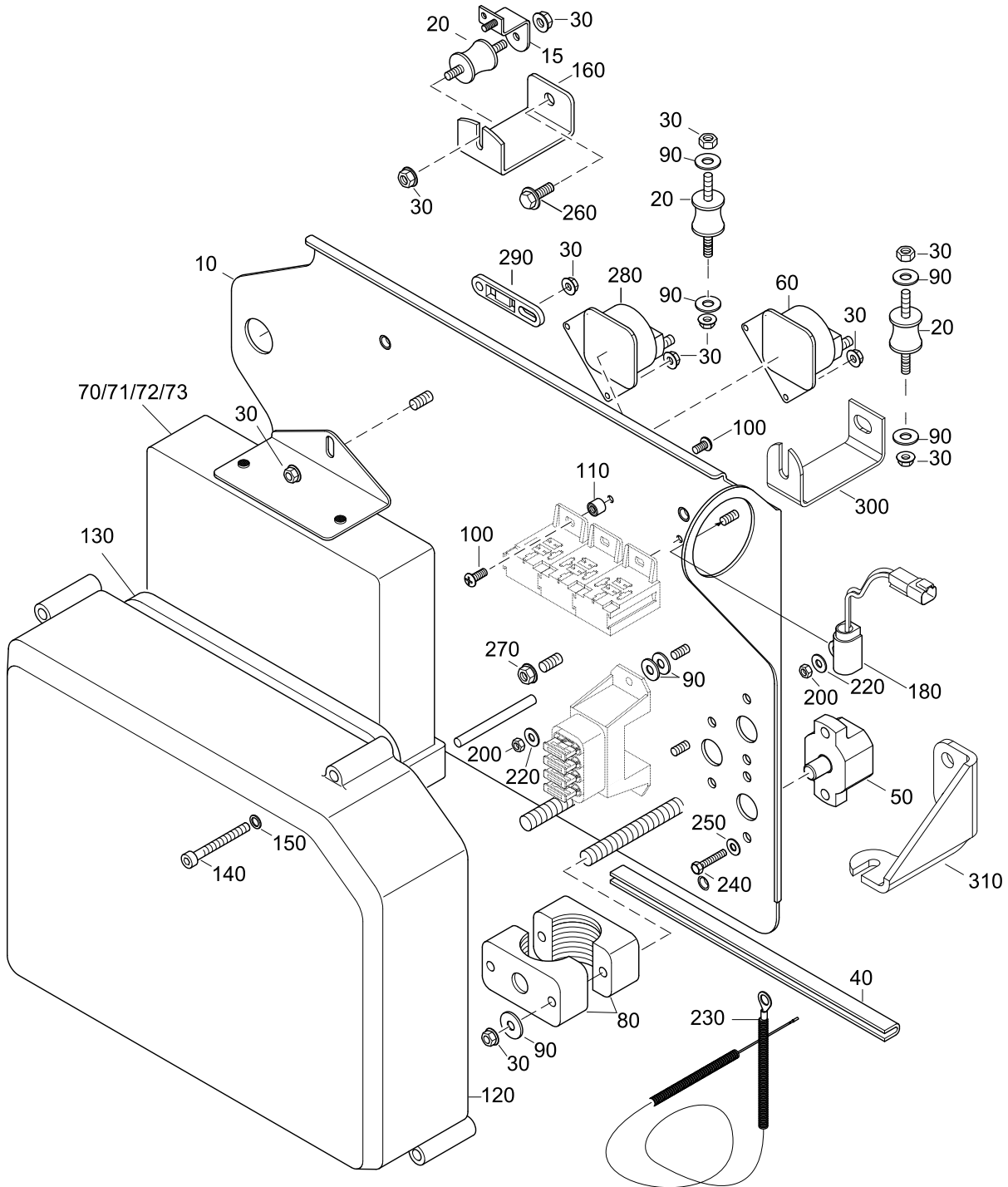


TA 0606

164 MARINE
TURBO DIESEL
+ SOLAS

SECURETSYSTEM, FUSES, ECU, E-BOX
48221108 -->

06064094-1





**SECURETYSYSTEM, FUSES, ECU, E-BOX
48221108 -->**

164 MARINE
TURBO DIESEL
+ SOLAS

06064094-1

Pos.	Part.-No.	Qty	Designation	Step
10	2203723-1	1	BASE PLATE -->482330249	.2
11	2204051-0	1	BASE PLATE 482330250-->	.2
15	2203723-B	1	BRACKET BASEPLATE	..3
20	2203744-0	4	RUBBER MOUNT	.2
30	3880049-0	13	HEX.FLANGE NUT EN 1661-M6-A2-70	.2
40	2173329-0	0.2	EDGE PROTECTOR	.2
50	O913774-0	3	AUTOMATIC CIRCUIT BREAKER 50A	.2
60	9000187-0	1	SOLENOID STARTER	.2
70	2176821-H	1	ECU 164 120kW - 4000rpm -->48226999	.2
71	2176844-4	1	ECU 164 120kW - 4000rpm 48227001-->482320112	.2
72	2176844-D	1	ECU 164 120kW - 4000rpm (NO EPA) 482320113-->482330249	.2
73	2176844-G	1	ECU 164 120kW - 4000rpm 482330250-->	.2
80	2203753-0	2	CLAMP, FASTEN ENGINE-HARNESS	.2
90	9000012-0	10	WASHER LARGE SERIES ISO 7093-6.4-140HV-A2	.2
100	9000215-1	4	CROSS RECESS PAN HD.SCR. ISO 7045-M5x6-A2-50-H	.2
110	2179004-0	2	SILENT BLOCK M5	.2
120	2203720-0	1	COVERING, ENGINE ELECTRIC	.2
130	2171410-1	1	SEAL, COVERING ENGINE ELECTRIC	.2
140	9000003-0	5	HEX.SOCK. HD.CAP SCR. ISO 4762-M5x55-A2-70	.2
150	3930069-0	5	WASHER ISO 7089-5-200HV-A2	.2
160	2203724-0	2	SUPPORT BASE PLATE	.2
180	2178971-G	1	INVERSION-SWITCH ASSY	.2
200	3870050-0	3	HEX.NUT ISO 4032-M5-A2-70	.2
220	3930069-0	3	WASHER ISO 7089-5-200HV-A2	.2
230	2178975-0	1	CABLE INVERSION-SWITCH SOLAS	.2
240	9000424-0	6	HEX.HD.SCR. ISO 4017-8/32UNCx20-A2-70	.2
250	3930072-0	6	WASHER LARGE SERIES ISO 7093-4.3-A2	.2
260	9000305-0	2	HEX.FLANGE BOLT EN 1665-M8x20-10.9-DAC	.2
270	3880049-0	1	HEX.FLANGE NUT EN 1661-M6-A2-70	.2
280	2206161-0	1	POWER SOLENOID 12V	.2
290	2178870-0	1	FIXTURE, CABLE TIE	.2



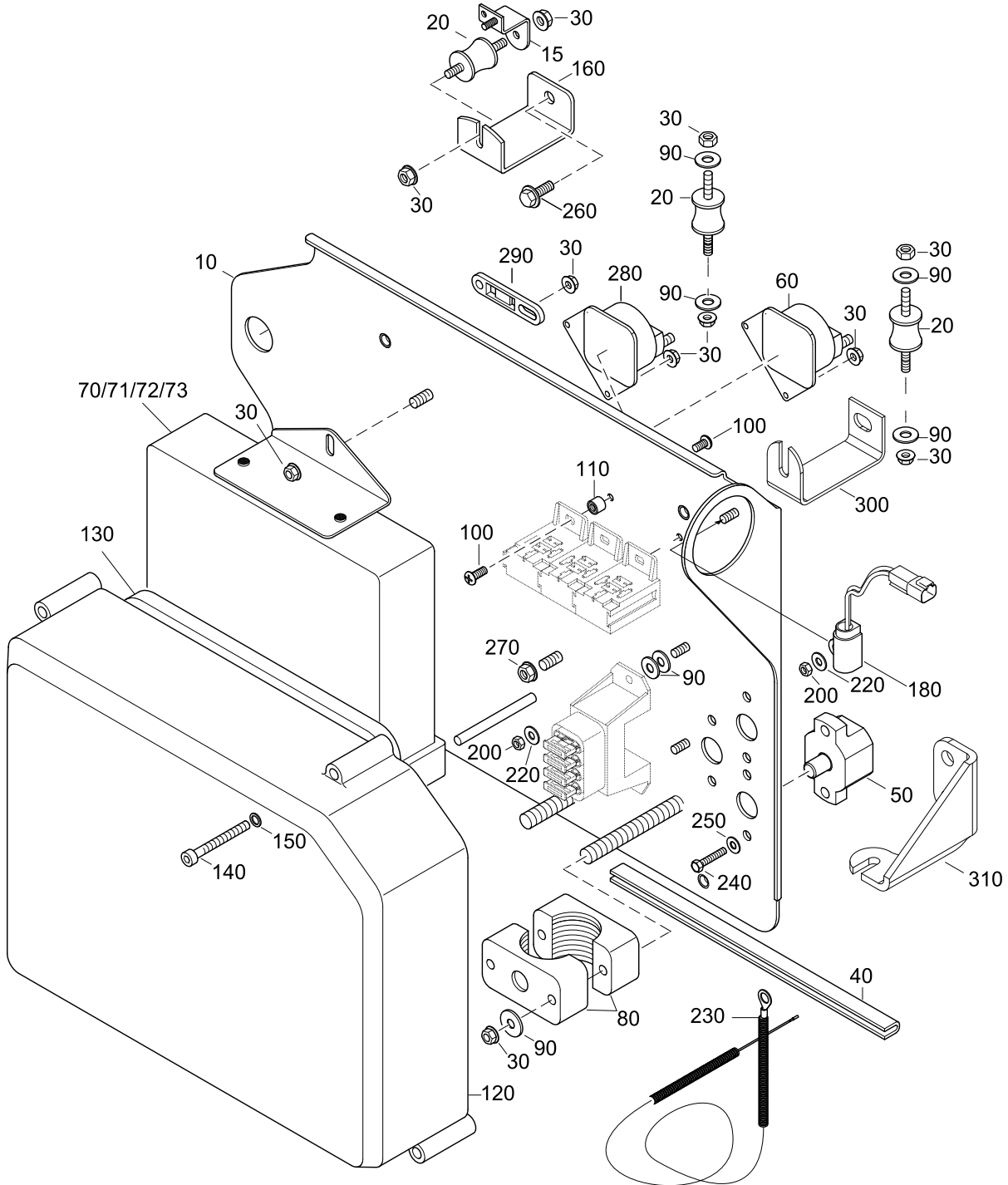


TA 0606

164 MARINE
TURBO DIESEL
+ SOLAS

SECURETYSYSTEM, FUSES, ECU, E-BOX
48221108 -->

06064094-1



SECURETYSYSTEM, FUSES, ECU, E-BOX
48221108 -->

164 MARINE
TURBO DIESEL
+ SOLAS

06064094-1

Pos.	Part.-No.	Qty	Designation	Step
300	2204060-0	1	SUPPORT BASE PLATE 482330250—>	.2
310	2204052-0	1	BRACKET, E-BOX 482330250—>	.2



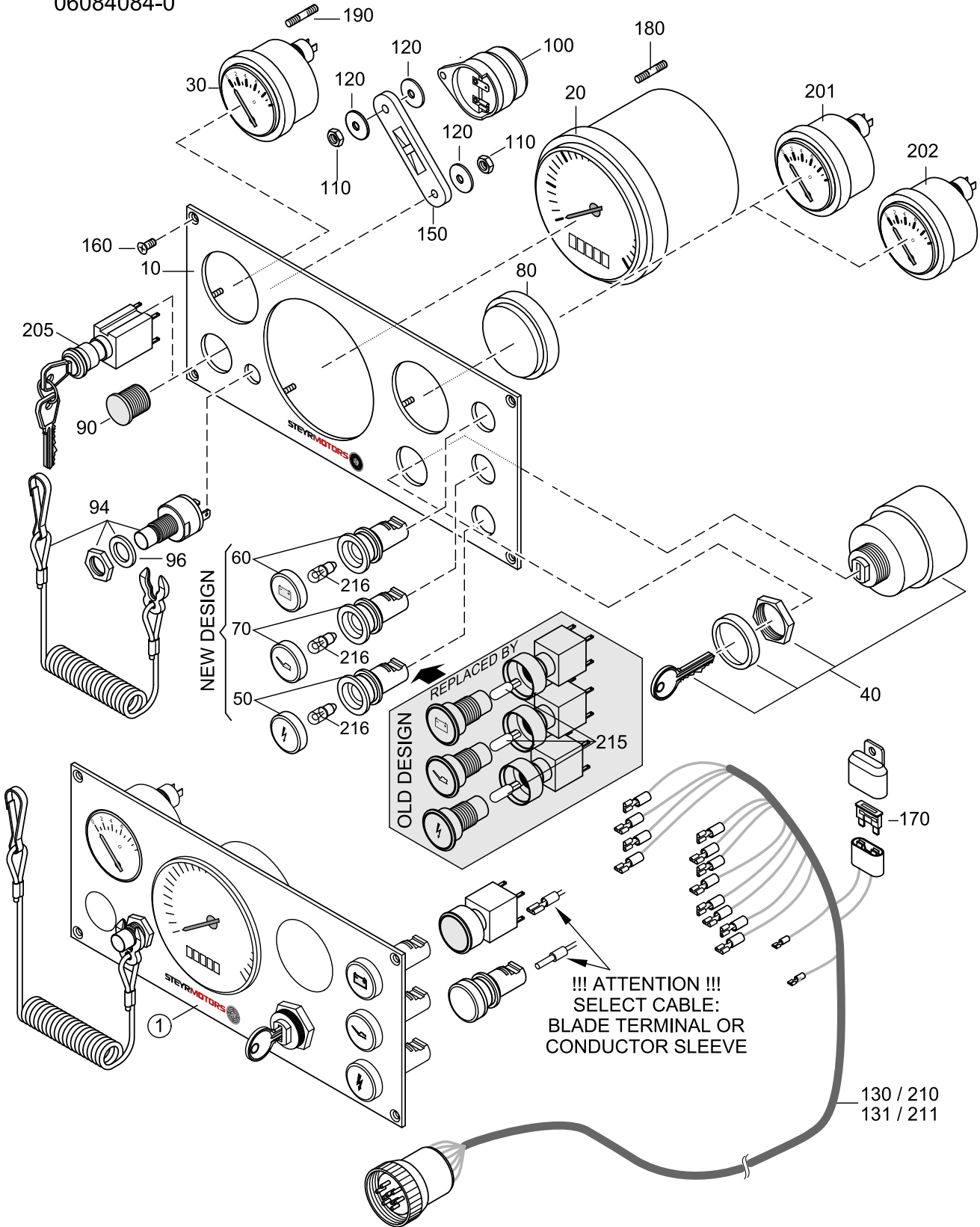


TA 0608

164 MARINE
TURBO DIESEL
+ **SOLAS**

INSTRUMENTPANEL (STANDARD)
TILL -->2010

06084084-0



INSTRUMENTPANEL (STANDARD) TILL -->2010	164 MARINE <small>TURBO DIESEL</small> + SOLAS
---	--

06084084-0

Pos.	Part.-No.	Qty	Designation	Step
1	Z002635-0	1	SPARE PANEL ASSY. (ALTERN. ISKRA)	.2
10	2178831-3	1	INSTRUMENT PANEL	..3
20	2178756-3	1	REVOLU. & OPERA. HOUR COUNTER	..3
30	2178229-2	1	COOLANT TEMPERATURE GAUGE	..3
40	2178761-4	1	GLOW-START SWITCH ASSY.(SPARE)	..3
50	2179290-0	1	WARNING-LIGHT CHECK ENGI. ASSY	..3
60	2179291-0	1	WARNING-LIGHT BATTERY CHARGE ASSY. 12V	..3
70	2179292-0	1	WARNING-LIGHT ENGINE-OIL ASSY.	..3
80	2178759-2	1	BLIND COVER	..3
90	2179320-0	1	BLIND PLUG, BLACK	..3
94	Z002073-0	1	EMERGENCY CUTOFF SWITCH KIT	..3
96	2176170-0	1	O-RING 15 x 2	..3
100	2178760-1	1	HORN AUDIBLE WARNING	..3
110	3870051-0	2	HEX.NUT ISO 4032-M4-A2-70	..3
120	3930072-0	2	WASHER LARGE SERIES DIN 9021-4.3-A2	..3
130	2206290-1	1	CABLE ASSY. INSTRUMENT 7m (BLADE TERMINAL)	..3
131	Z002669-0	1	CABLE ASSY. INSTRUMENT 7m (CONDUCTOR SLEEVE) SPARE PART	..3
160	9000192-0	4	CR.REC.COUNT.SUNK HD.TPG.SCR. ISO 7050-ST3.5x16	..3
170	11345	1	FUSE 10A, RED	..3
190	2206167-1	1	STUD	..3
201	2178227-2	1	OIL PRESSURE GAUGE 10 BAR (ACCESSORY)	.2
202	2178231-1	1	VOLTMETER 12V (ACCESSORY)	.2
205	2178761-2	1	KEY-SWITCH CONSTANT REVOLUTION (ACCESSORY)	.2
210	2206290-4	1	CABLE ASSY. INSTRUMENT 1,5m (BLADE TERMINAL)	.2
211	Z002670-0	1	CABLE ASSY. INSTRUMENT 1.5m (CONDUCTOR SLEEVE) SPARE PART	.2
215	2178242-4	3	GLASS SOCKET LAMP 12V 2W x 4,6D (OLD DESIGN)	.2
216	2179162-0	3	MINIATUR LAMP 12V/2W 10x28 (NEW DESIGN)	.2



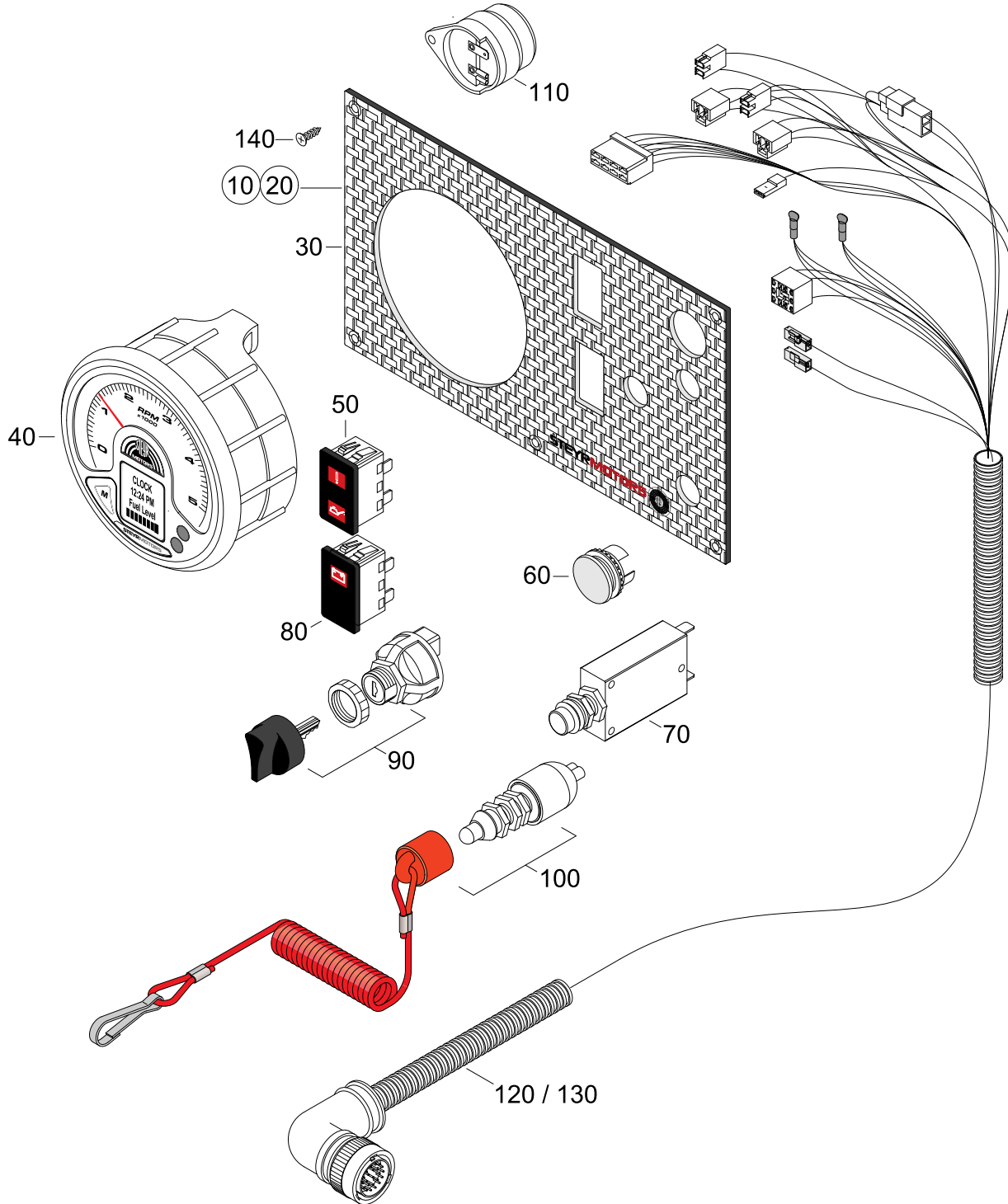


TA 0607

164 MARINE
TURBO DIESEL
+ SOLAS

**INSTRUMENTPANEL (STANDARD)
FROM 2010-->**

06072184-1





INSTRUMENTPANEL (STANDARD) FROM 2010-->	164 MARINE TURBO DIESEL + SOLAS
---	---

06072184-1

Pos.	Part.-No.	Qty	Designation	Step
10	2179963-0	1	INSTR. PANEL ASSY. (LED) 12V 7m	.2
20	2179965-0	1	INSTR.PANEL ASSY. (LED) 12V 1,5m	.2
30	2179981-0	1	FRONT PLATE, INSTRUMENT PANEL - STANDARD	..3
40	2179971-0	1	REVOLUTIONCOUNTER	..3
50	Z002196-0	1	WARNING LED, CHECK ENGINE & OIL PRESSURE	..3
60	2179320-0	1	BLIND PLUG, BLACK	..3
70	Z002180-0	1	THERMO PROTECTION SWITCH ASSY.	..3
80	Z002197-0	1	WARNING LED, BATTERY CHARGE	..3
90	2179975-0	1	GLOW-START SWITCH	..3
100	2179978-0	1	EMERGENCY CUTOFF SWITCH	..3
110	2178760-1	1	HORN AUDIBLE WARNING	..3
120	2180073-0	1	CABLE ASSY. INSTRUMENT 7m	..3
130	2180075-0	1	CABLE ASSY. INSTRUMENT 1,5m	..3
140	9000817-0	6	CR.REC.COUNT.SUNKHD.TPG.SCR. 3.5x16	..3



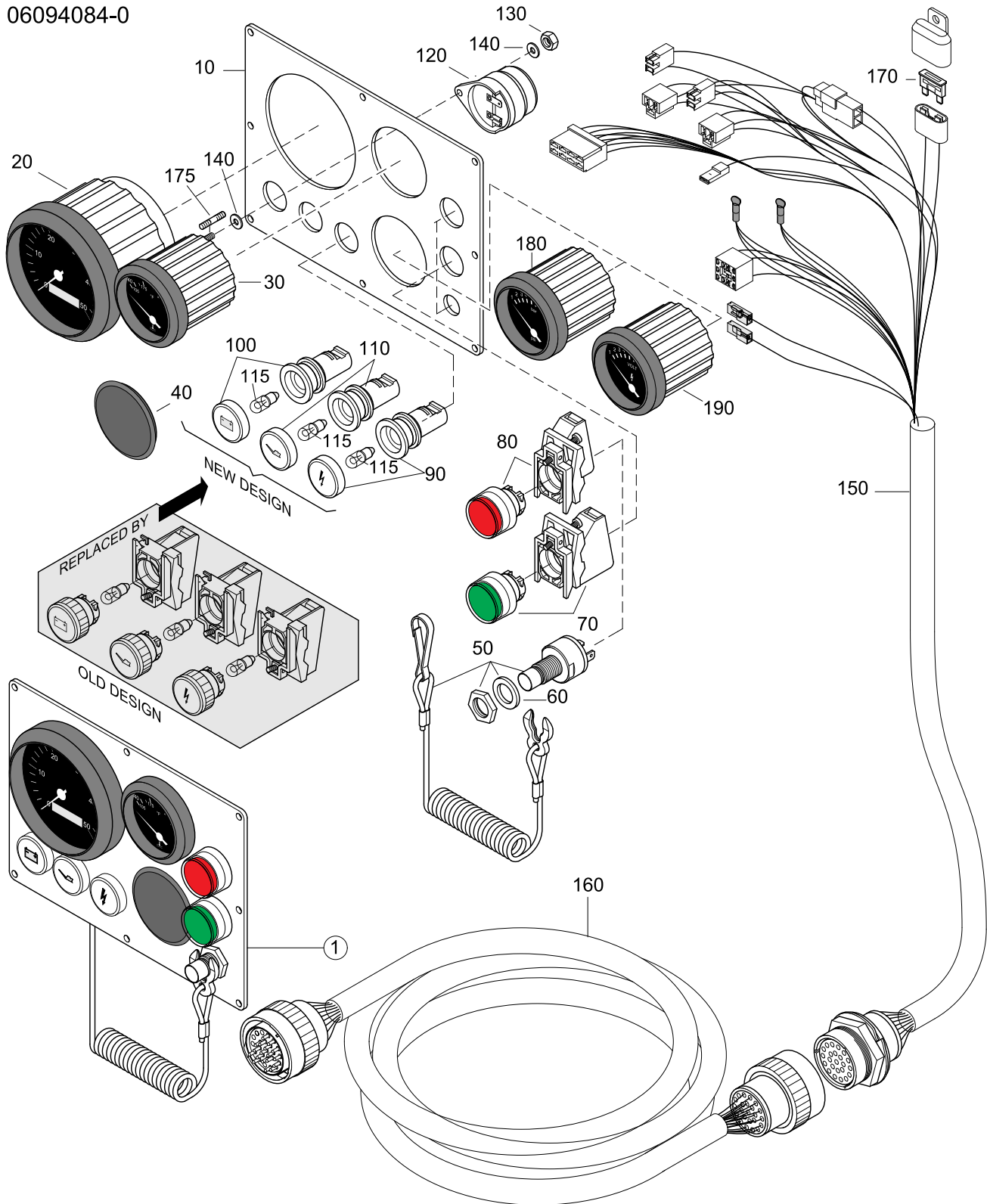


TA 0609

164 MARINE
TURBO DIESEL
+ SOLAS

INSTRUMENTPANEL SOLAS (STANDARD)
TILL -->2010

06094084-0





INSTRUMENTPANEL SOLAS (STANDARD) TILL -->2010	164 MARINE <small>TURBO DIESEL</small> + SOLAS
---	--

06094084-0

Pos.	Part.-No.	Qty	Designation	Step
1	Z002122-0	1	SPARE PANEL ASSY. SOLAS (ALTERN. ISKRA)	.2
10	2178831-4	1	INSTRUMENT PANEL SOLAS	.3
20	2178756-3	1	REVOLU. & OPERA. HOUR COUNTER	.3
30	2178229-2	1	COOLANT TEMPERATURE GAUGE	.3
40	2178759-2	1	BLIND COVER	.3
50	Z002073-0	1	EMERGENCY CUTOFF SWITCH KIT	.3
60	2176170-0	1	O-RING 15 x 2	.3
70	2179294-0	1	SWITCH ASSY. START GREEN	.3
80	2179293-5	1	IGNITION SWITCH RED ASSY.	.3
90	2179290-0	1	WARNING-LIGHT CHECK ENGI. ASSY	.3
100	2179291-0	1	WARNING-LIGHT BATTERY CHARGE ASSY. 12V	.3
110	2179292-0	1	WARNING-LIGHT ENGINE-OIL ASSY.	.3
115	2179262-0	3	INVERTER/CHARGER 2500W/12VDC 130A/220V/50Hz	.3
120	2178760-1	1	HORN AUDIBLE WARNING	.3
130	3870051-0	2	HEX.NUT ISO 4032-M4-A2-70	.3
140	3930072-0	2	WASHER LARGE SERIES DIN 9021-4.3-A2	.3
150	Z002671-0	1	CABLE ASSY. INSTR. 1.5m SOLAS (SPARE PART)	.3
160	2206291-1	1	INTERMEDIATE CABLE 5m SAME 23-WAY CON.	.3
170	11345	1	FUSE 10A, RED	.3
175	2206167-1	1	STUD	.3
180	2178227-2	1	OIL PRESSURE GAUGE 10 BAR (ACCESSORY)	.2
190	2178231-1	1	VOLTMETER 12V (ACCESSORY)	.2



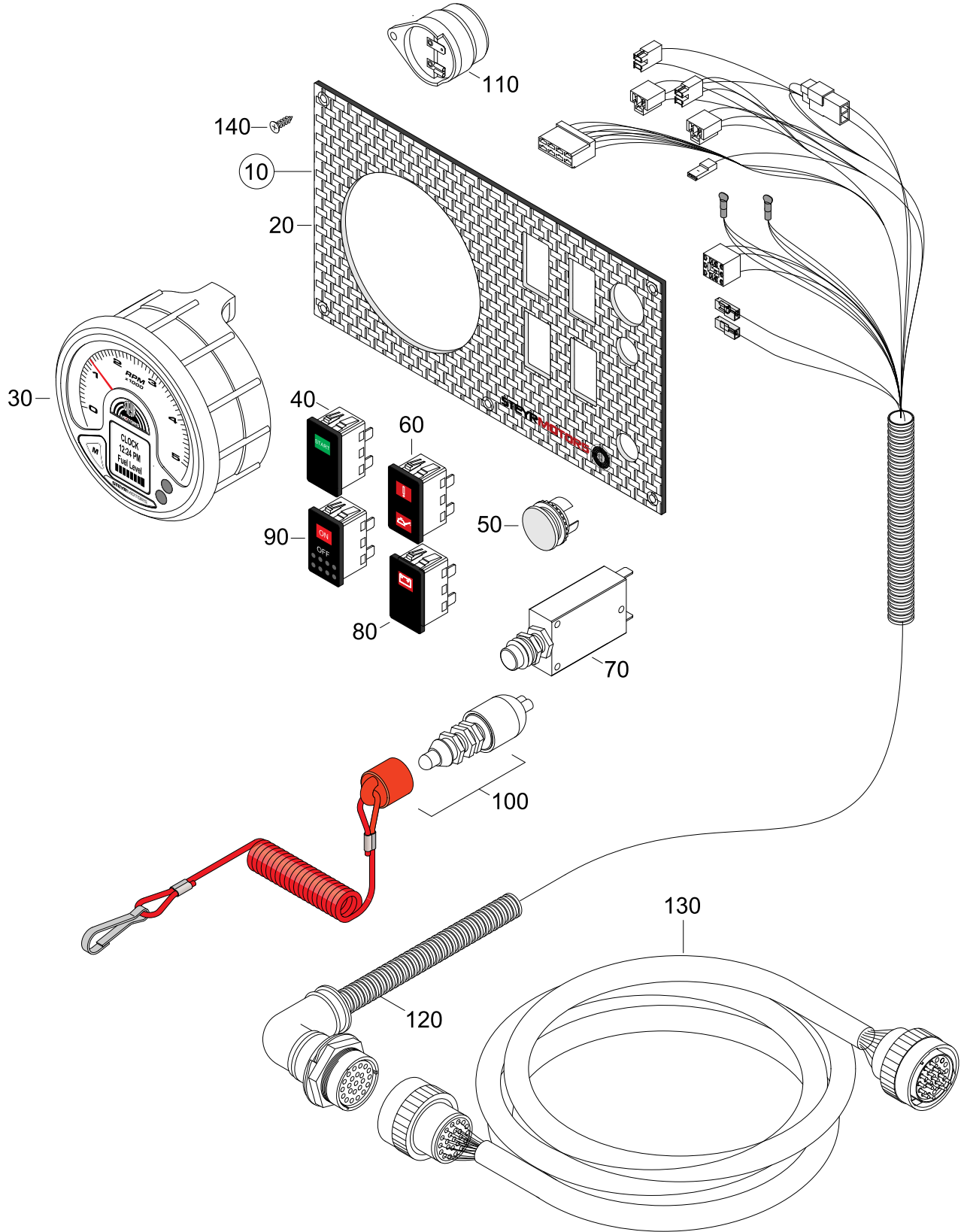


TA 0609

164 MARINE
TURBO DIESEL
+ SOLAS

**INSTRUMENTPANEL SOLAS (STANDARD)
FROM 2010-->**

06092184-1



INSTRUMENTPANEL SOLAS (STANDARD) FROM 2010-->	164 MARINE <small>TURBO DIESEL</small> + SOLAS
---	--

06092184-1

Pos.	Part.-No.	Qty	Designation	Step
10	2179964-0	1	INSTRUMENT PANEL ASSY. (LED) 12V SOLAS	.2
20	2179982-0	1	FRONT PLATE, INSTRUMENT PANEL - SOLAS	..3
30	2179971-0	1	REVOLUTIONCOUNTER	..3
40	Z002198-0	1	START SWITCH, GREEN	..3
50	2179320-0	1	BLIND PLUG, BLACK	..3
60	Z002196-0	1	WARNING LED, CHECK ENGINE & OIL PRESSURE	..3
70	Z002180-0	1	THERMO PROTECTION SWITCH ASSY.	..3
80	Z002197-0	1	WARNING LED, BATTERY CHARGE	..3
90	Z002199-0	1	IGNITION SWITCH	..3
100	2179978-0	1	EMERGENCY CUTOFF SWITCH	..3
110	2178760-1	1	HORN AUDIBLE WARNING	..3
120	2180074-0	1	CABLE ASSY. INSTRUMENT	..3
130	2206291-1	1	INTERMEDIATE CABLE 5m	..3
140	9000817-0	6	CR.REC.COUNT.SUNK HD.TPG.SCR. 3.5x16	..3



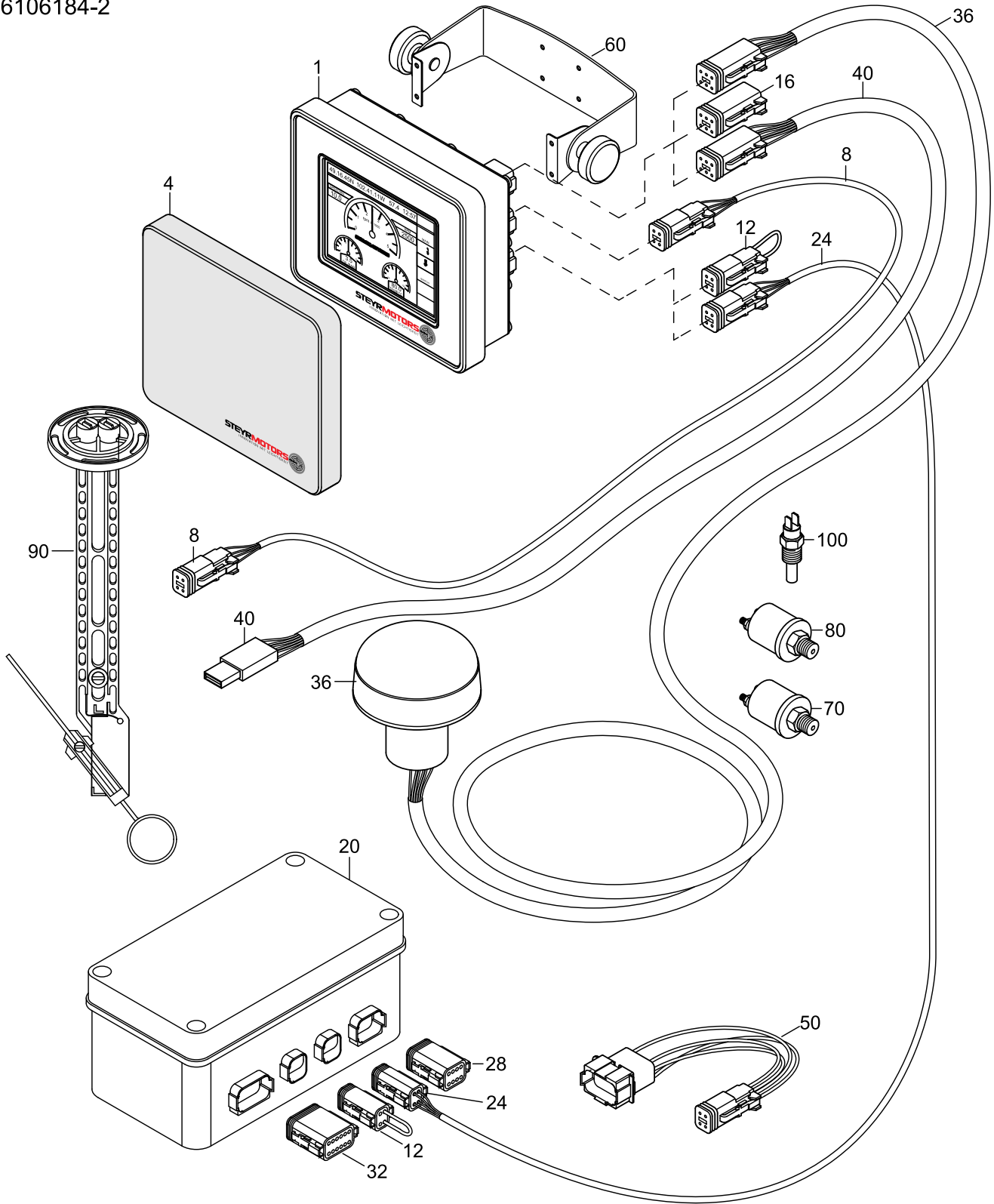


TA 0610

164 MARINE
TURBO DIESEL
+ SOLAS

**DISPLAY
(ACCESSORY)**

06106184-2



DISPLAY (ACCESSORY)	164 MARINE TURBO DIESEL + SOLAS
--------------------------------	---

06106184-2

Pos.	Part.-No.	Qty	Designation	Step
1	Z002132-0	1	STEYR CONTROL CENTER (SPARE PART)	.2
4	2179637-0	1	PROTECTIVE COVERING - SCC	..3
8	2206313-0	1	CONNECTING CABLE SCC->PANEL (4-POLE)	..3
12	2206314-0	1	CONNECTOR CAN-TERMINATOR (4-POLE)	..3
16	2179638-0	1	DUMMY PLUG 6-POLE	..3
20	2179156-2	1	I/O BOX	.2
24	2206315-0	1	CONNECTING CABLE I/O BOX -> SCC (4-POLE)	..3
28	2179639-0	1	DUMMY PLUG 8-POLE	..3
32	2179640-0	1	DUMMY PLUG 12-POLE	..3
36	2179641-0	1	GPS-SENSOR ASSY	.2
40	2179607-0	1	SCC CONFIGURATIONS CABLE 1,8m USB 2.0	.2
50	2179636-0	1	ADAPTER CABLE SPORTLINE TO SCC (8-POLE TO 4-POLE)	.2
60	Z002177-0	1	KIT MOUNTING BRACHETS F. SCC	.2
70	Z002640-0	1	OIL PRESSURE SENSOR 2-POLE (ACCESSORY)	.2
80	2179519-0	1	OIL PRESSURE SENSOR ZF-GEARBOX	.2
90	2179331-0	1	FUEL TANK SENSOR	.2
100	2179520-0	1	TEMPERATURE SENSOR, GEARBOX OIL	.2



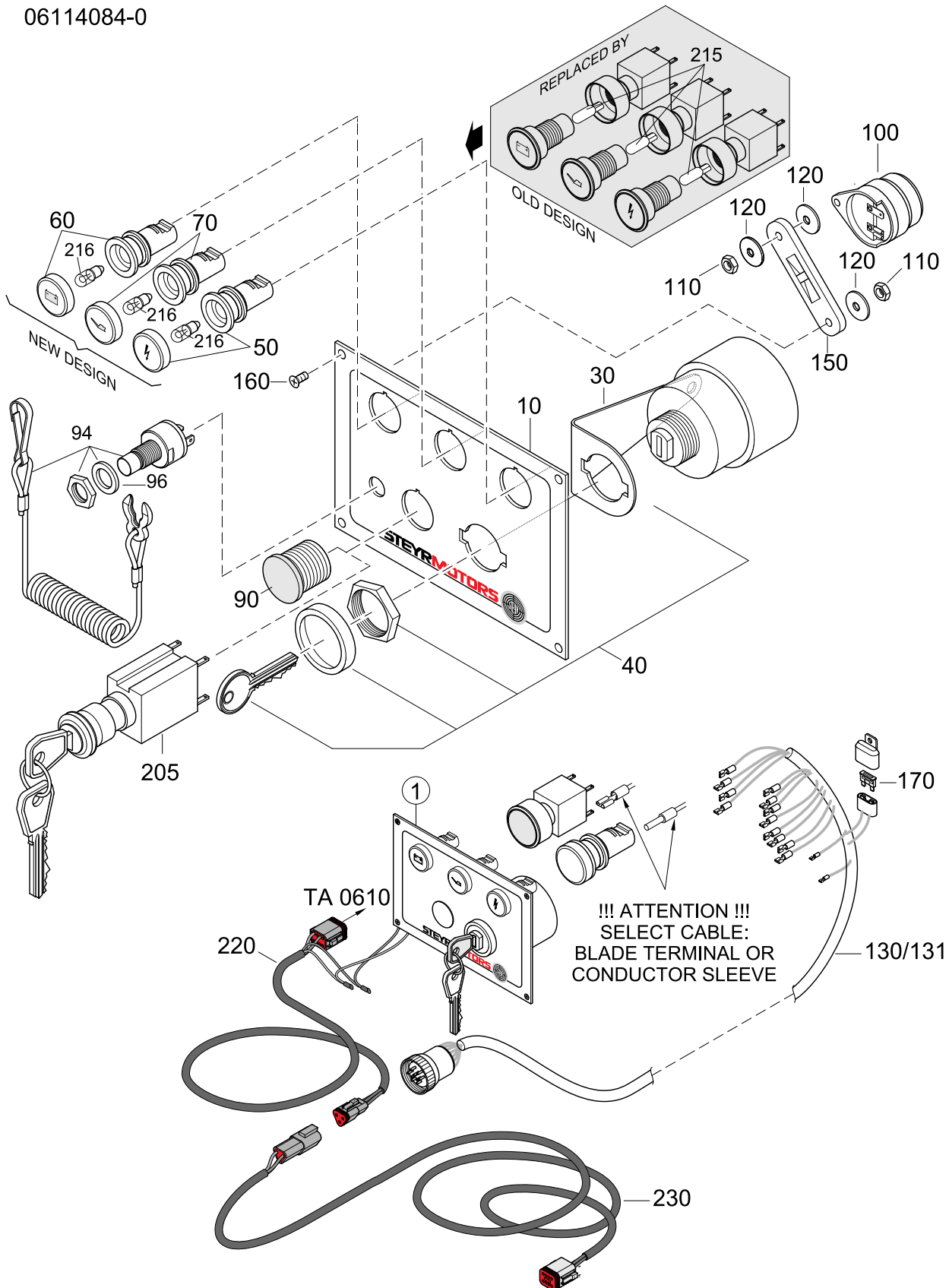


TA 0611

164 MARINE
TURBO DIESEL
+ SOLAS

**SWITCH PANEL FOR DISPLAY
TILL -->2010**

06114084-0



**SWITCH PANEL FOR DISPLAY
TILL -->2010**

164 MARINE
TURBO DIESEL
+ SOLAS

06114084-0

Pos.	Part.-No.	Qty	Designation	Step
1	Z002123-0	1	SWITCH PANEL ASSY. (ALTERN. ISKRA)	.2
10	2179134-1	1	INSTRUMENT PANEL	..3
30	2179173-0	1	SHACKLE STRAIN RELIEF, PANEL (NEW DESIGN)	..3
40	2178761-4	1	GLOW-START SWITCH ASSY. (SPARE)	..3
50	2179290-0	1	WARNING-LIGHT CHECK ENGI. ASSY	..3
60	2179291-0	1	WARNING-LIGHT BATTERY CHARGE ASSY. 12V	..3
70	2179292-0	1	WARNING-LIGHT ENGINE-OIL ASSY.	..3
90	2179320-0	1	BLIND PLUG, BLACK	..3
94	Z002073-0	1	EMERGENCY CUTOFF SWITCH KIT	..3
96	2176170-0	1	O-RING 15 x 2	..3
100	2178760-1	1	HORN AUDIBLE WARNING	..3
110	3870051-0	4	HEX.NUT ISO 4032-M4-A2-70	..3
120	3930072-0	6	WASHER LARGE SERIES DIN 9021-4.3-A2	..3
130	2206290-1	1	CABLE ASSY. INSTRUMENT 7m (BLADE TERMINAL)	..3
131	Z002669-0	1	CABLE ASSY. INSTRUMENT 7m (CONDUCTOR SLEEVE) SPARE PART	..3
150	2178870-1	1	FIXTURE, CABLE TIE (OLD DESIGN)	..3
160	9000192-0	4	CR.REC.COUNT.SUNK HD.TPG.SCR. ISO 7050-ST3.5x16	..3
170	11345	1	FUSE 10A, RED	..3
205	2178761-2	1	KEY-SWITCH CONSTANT REVOLUTION (ACCESSORY)	..3
215	2178242-4	3	GLASS SOCKET LAMP 12V 2W x 4,6D (OLD DESIGN)	..3
216	2179162-0	3	MINIATUR LAMP 12V/2W 10x28 (NEW DESIGN)	..3
220	Z002131-0	1	CONNECTING CABLE-CANBUS (SPARE) WITH CONNECTOR	.2
230	2179150-1	1	INTERMEDIATE CABLE - CANBUS WITH CONNECTOR	.2



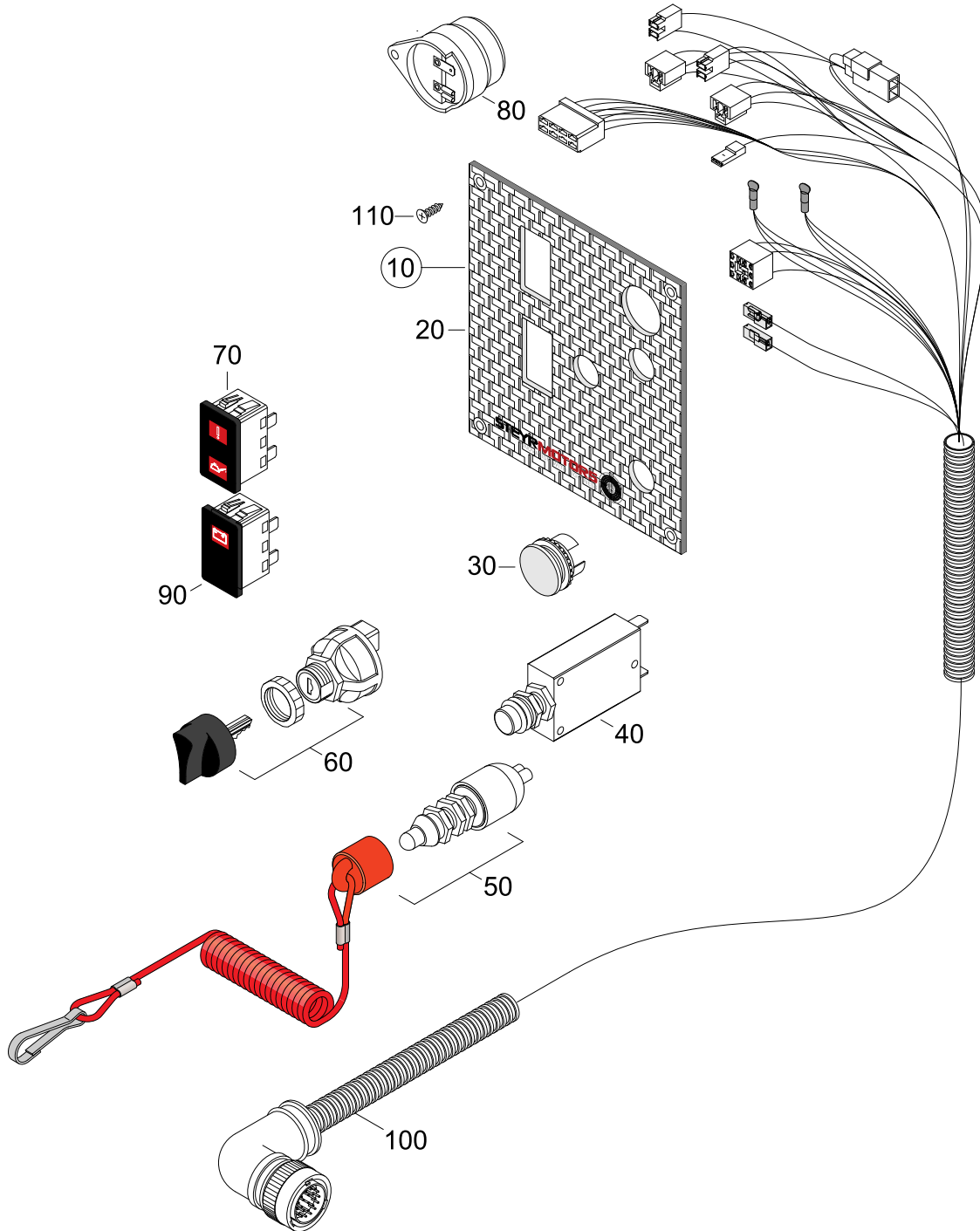


TA 0611

164 MARINE
TURBO DIESEL
+ SOLAS

**SWITCH PANEL FOR DISPLAY
FROM 2010-->**

06112184-1





**SWITCH PANEL FOR DISPLAY
FROM 2010-->**



06112184-1

Pos.	Part.-No.	Qty	Designation	Step
10	2179966-0	1	SWITCH PANEL ASSY. (LED) (FOR SCC-DISPLAY)	.2
20	2179983-0	1	FRONT PLATE, SWITCH PANEL	.3
30	2179320-0	1	BLIND PLUG, BLACK	.3
40	Z002180-0	1	THERMO PROTECTION SWITCH ASSY.	.3
50	2179978-0	1	EMERGENCY CUTOFF SWITCH	.3
60	2179975-0	1	GLOW-START SWITCH	.3
70	Z002196-0	1	WARNING LED, CHECK ENGINE & OIL PRESSURE	.3
80	2178760-1	1	HORN AUDIBLE WARNING	.3
90	Z002197-0	1	WARNING LED, BATTERY CHARGE	.3
100	2180076-0	1	CABLE ASSY. SWITCH PANEL	.3
110	9000817-0	4	CR.REC.COUNT.SUNK HD.TPG.SCR. 3.5x16	.3



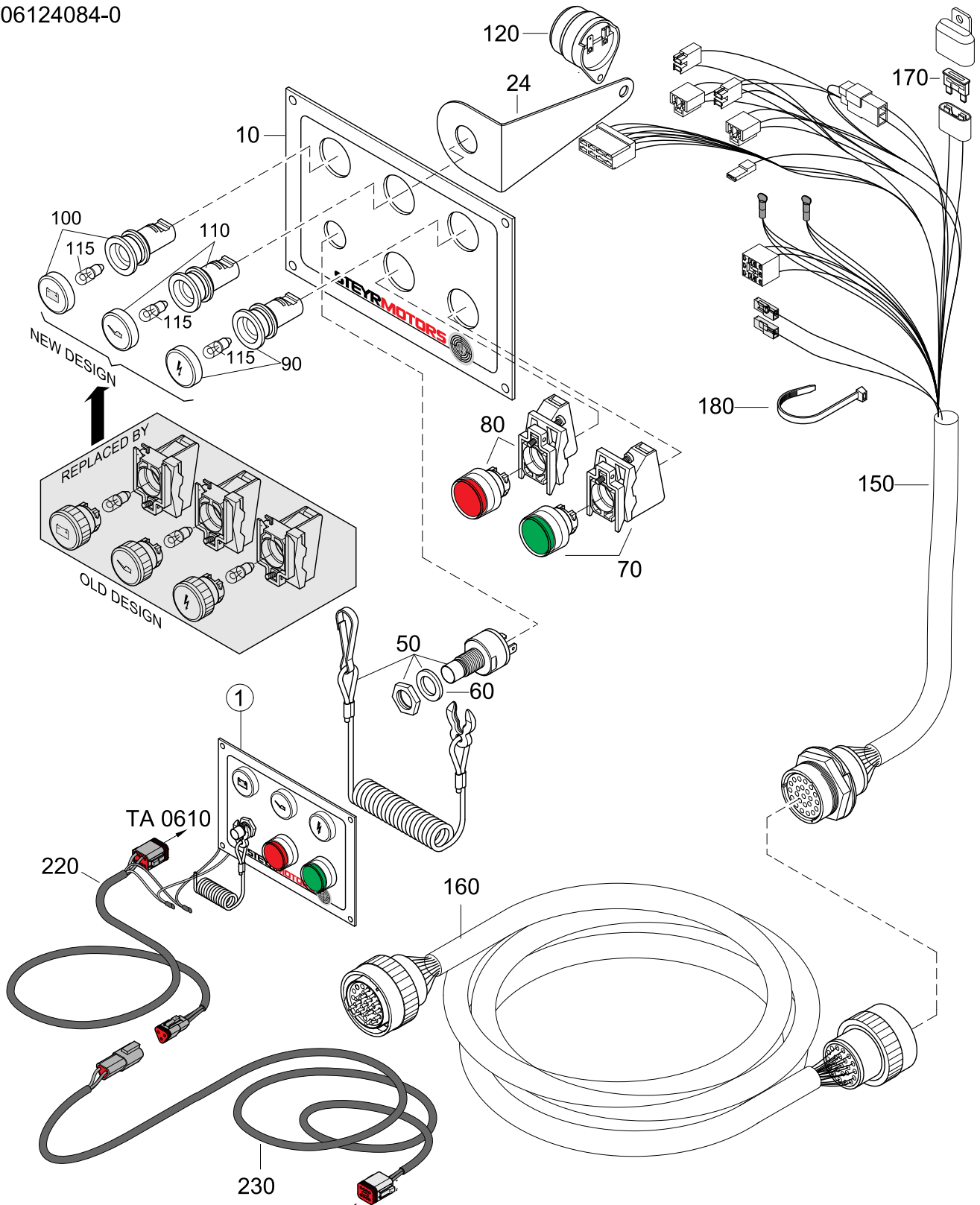


TA 0612

164 MARINE
TURBO DIESEL
+ SOLAS

**PUSH BUTTON PANEL SOLAS FOR DISPLAY
TILL -->2010**

06124084-0





PUSH BUTTON PANEL SOLAS FOR DISPLAY TILL -->2010	164 MARINE <small>TURBO DIESEL</small> + SOLAS
--	--

06124084-0

Pos.	Part.-No.	Qty	Designation	Step
1	Z002124-0	1	PUSH BUTTON PANEL ASSY. SOLAS (ALTERN. ISKRA)	.2
10	2179135-1	1	BASE PLATE INSTRUMENT PANEL SOLAS	..3
24	2179173-1	1	SHACKLE STRAIN RELIEF, PANEL	..3
50	Z002073-0	1	EMERGENCY CUTOFF SWITCH KIT	..3
60	2176170-0	1	O-RING 15 x 2	..3
70	2179294-0	1	SWITCH ASSY. START GREEN	..3
80	2179293-0	1	IGNITION SWITCH RED ASSY.	..3
90	2179290-0	1	WARNING-LIGHT CHECK ENGI. ASSY	..3
100	2179291-0	1	WARNING-LIGHT BATTERY CHARGE ASSY. 12V	..3
110	2179292-0	1	WARNING-LIGHT ENGINE-OIL ASSY.	..3
115	2179162-0	3	MINIATUR LAMP 12V/2W 10x28	..3
120	2178760-1	1	HORN AUDIBLE WARNING	..3
130	3870051-0	2	HEX.NUT ISO 4032-M4-A2-70	..3
140	3930072-0	2	WASHER LARGE SERIES DIN 9021-4.3-A2	..3
150	Z002671-0	1	CABLE ASSY. INSTR. 1.5m SOLAS (SPARE PART)	..3
160	2206291-1	1	INTERMEDIATE CABLE 5m SAME 23-WAY CON.	..3
170	11345	1	FUSE 10A, RED	..3
180	3171035-0	6	TIE STRAP N 05199-B4,8x180	..3
220	Z002131-0	1	CONNECTING CABLE-CANBUS(SPARE) WITH CONNECTOR	.2
230	2179150-1	1	INTERMEDIATE CABLE - CANBUS WITH CONNECTOR	.2



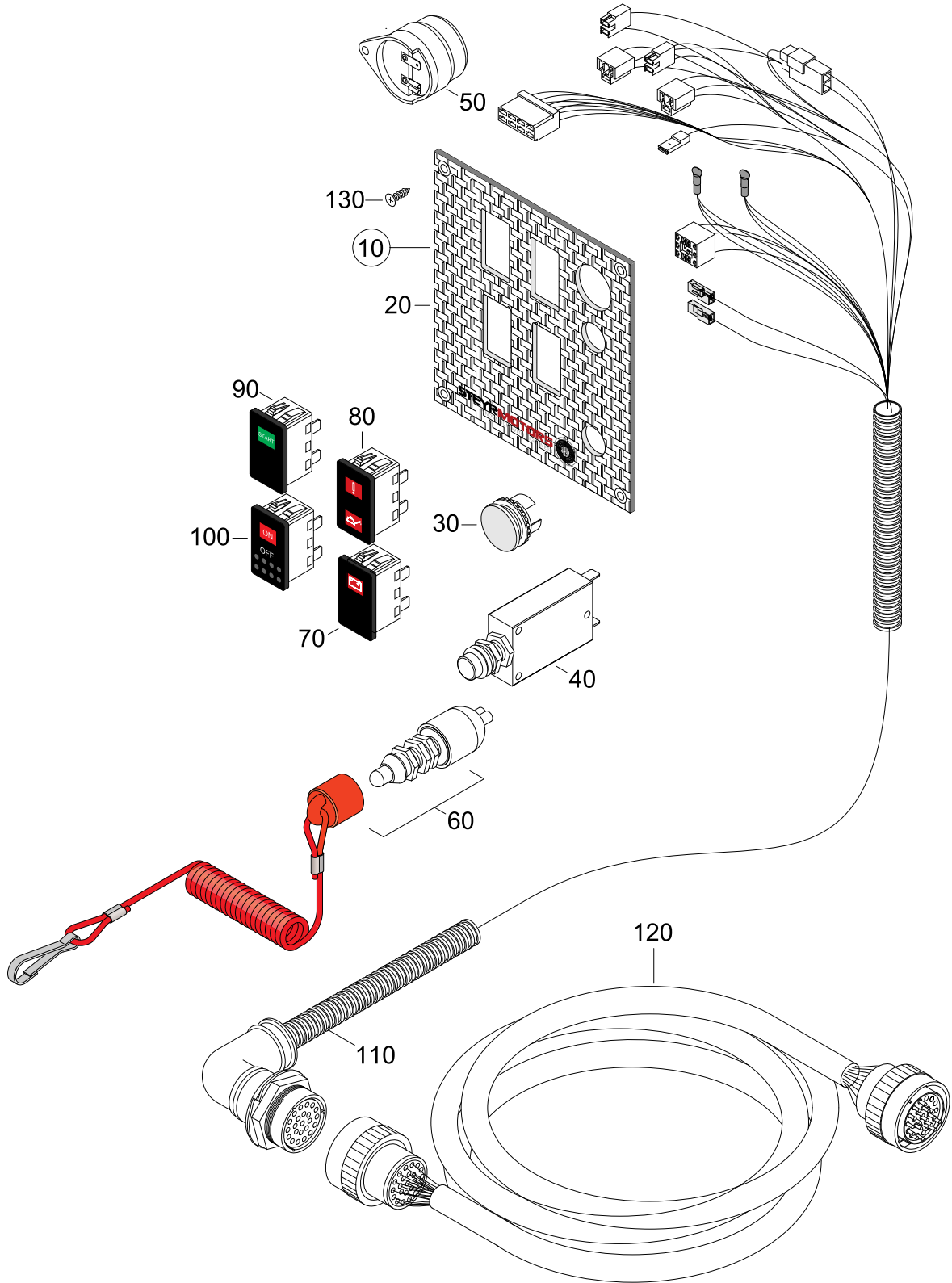


TA 0612

164 MARINE
TURBO DIESEL
+ SOLAS

**PUSH BUTTON PANEL SOLAS FOR DISPLAY
FROM 2010-->**

06122184-1





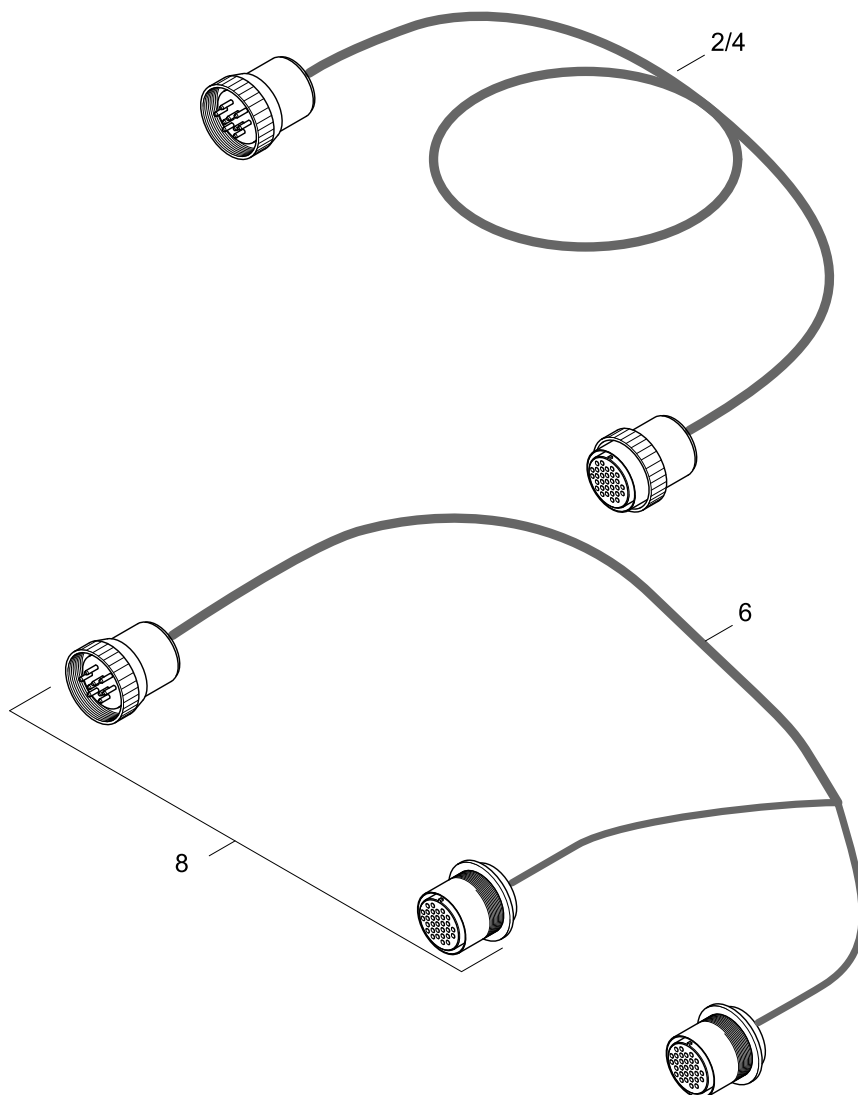
TA 0613

164 MARINE
TURBO DIESEL
+ SOLAS

**EXTENSION CABLE INSTRUMENTS
(ACCESSORY)**

06136184-0

NOTE: NOT COMPATIBLE WITH "SOLAS" INSTRUMENT PANEL





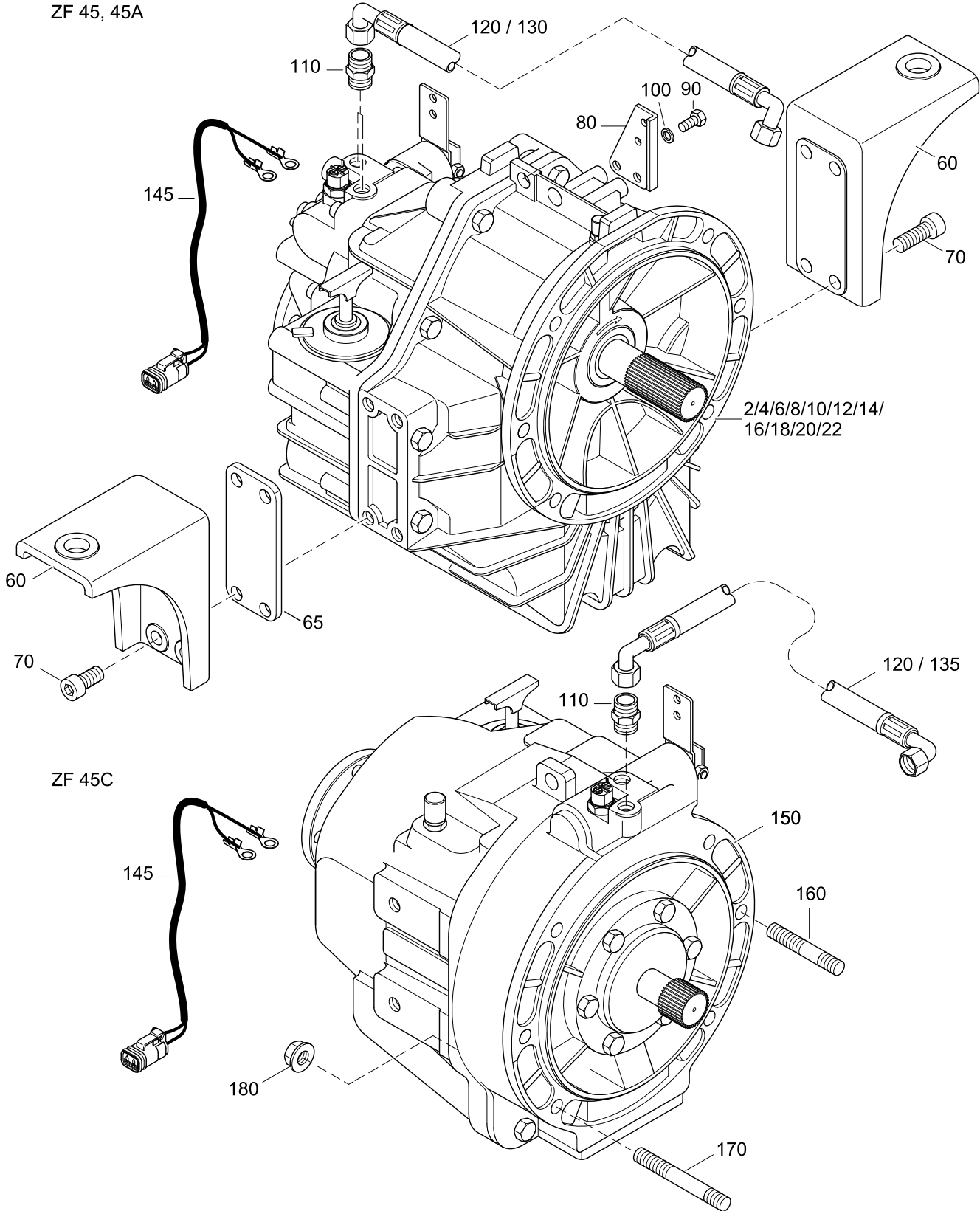
TA 0700

164 MARINE
TURBO DIESEL
+ SOLAS

TRANSMISS., MOUNTING BRACKETS, PIPES

07004084-0

ZF 45, 45A





TRANSMISS., MOUNTING BRACKETS, PIPES

164 MARINE
TURBO DIESEL
+ SOLAS

07004084-0

Pos.	Part.-No.	Qty	Designation	Step
2	2178931-5	1	GEARBOX ASSY. ZF 45 A I=2.03 (PAINTED)	.2
4	2178931-6	1	GEARBOX ASSY. ZF 45 A I=1.51 (PAINTED)	.2
6	2178931-7	1	GEARBOX ASSY. ZF 45 A I=1.26 (PAINTED)	.2
8	2178931-8	1	GEARBOX ASSY. ZF 45 A I=2.43 (PAINTED)	.2
10	2178931-F	1	GEARBOX ASSY. ZF 45 A I=2.03 (PAINTED) WITH TROLLING VALVE	.2
12	2178931-G	1	GEARBOX ASSY. ZF 45 A I=1.51 (PAINTED) WITH TROLLING VALVE	.2
14	2178931-J	1	GEARBOX ASSY. ZF 45 A I=1.26 (PAINTED) WITH TROLLING VALVE	.2
16	2178931-I	1	GEARBOX ASSY. ZF 45 A I=2.43 (PAINTED) WITH TROLLING VALVE	.2
18	2178964-5	1	GEARBOX ASSY. ZF 45 I=2.51 (PAINTED)	.2
20	2178964-6	1	GEARBOX ASSY. ZF 45 I=3.74 (PAINTED)	.2
22	2178964-7	1	GEARBOX ASSY. ZF 45 I=3.03 (PAINTED)	.2
60	2178710-V	2	BRACKET GEAR-BOX DOWN ANGLE	.2
65	2203761-0	4	SPACER BRACKET GEAR BOX	.2
70	9000334-0	8	HEX.SOCK.HD.CAP SCR. DIN912-M12x55-8.8-A3C	.2
80	2178711-9	1	BRACKET SHIFT CABLE PAINTED	.2
90	3800224-0	2	HEX.HD.SCR. ISO 4017-M8x20-A2-70	.2
100	3930103-0	2	WASHER DIN 125-8.4-140HV-A2	.2
110	Z011655-0	2	THREADED SOCKET 3/8NPT-M18x1,5	.2
120	2178731-0	1	OIL HOSE L=690mm	.2
130	2178732-0	1	OIL HOSE L=825mm	.2
135	2178732-1	1	OIL HOSE L=505mm C-GEAR BOX	.2
145	2178745-1	1	HARNESS GEAR-SWITCH	.2
150	2178931-9	1	GEARBOX ASSY. ZF 45 C I=1 (PAINTED)	.2
160	9000704-0	2	STUD DIN 835-M10x90-8.8-A3C	.2
170	9000705-0	4	STUD DIN 835-M10x130-8.8-A3C	.2
180	9000042-1	6	HEX.FLANGE NUT DIN 6923-M10-8-A3C	.2



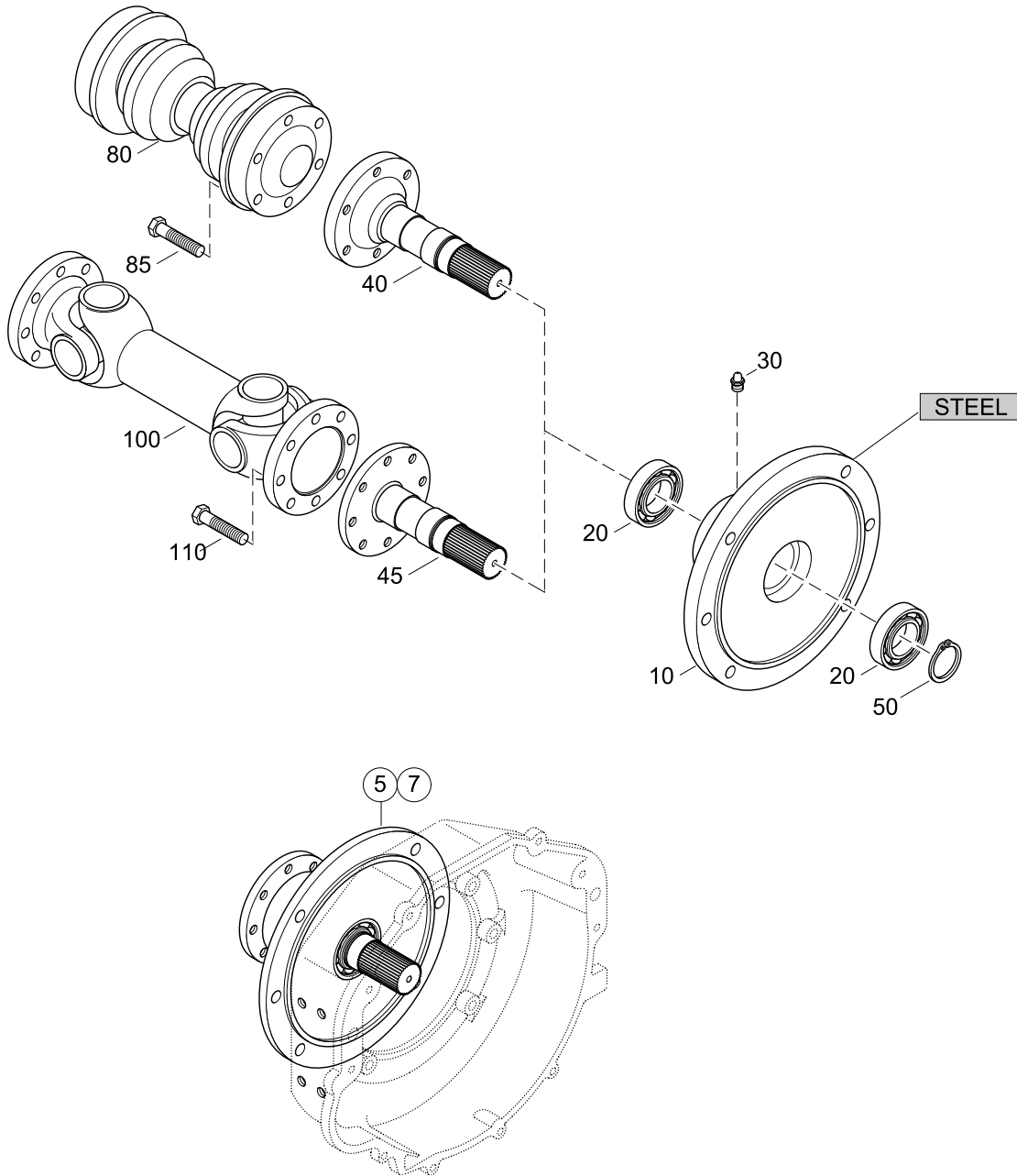


TA 0701

164 MARINE
TURBO DIESEL
+ SOLAS

TRANSMISSION-SHAFT, PTO-SHAFT (STEEL)

07016084-0



STEEL HOUSING



TRANSMISSION-SHAFT, PTO-SHAFT (STEEL)	164 MARINE <small>TURBO DIESEL</small> + SOLAS
--	--

07016084-0

Pos.	Part.-No.	Qty	Designation	Step
5	2178812-1	1	AD. SHAFT ASSY PROPU.(6 HOLES) PAINTED	.2
7	2178812-2	1	AD. SHAFT ASSY PROP. (8 HOLES) PAINTED	.2
10	2178815-0	1	ADAPTER HSG ENGINE-PROPULSION (STEEL)	..3
20	3311181-0	2	DEEP GROOVE BALL BEARING DIN 625-RS1	..3
30	3963112-0	1	LUBRICATING NIPPLE, CONE DIN 71412-AM8x1-A3F	..3
40	2178814-0	1	ADAPTER SHAFT ENGINE-PROPULSION (6-HOLES)	..3
45	2178814-1	1	ADAPTER SHAFT ENGINE-PROPULSION (8-HOLES)	..3
50	3933251-0	1	RETAINING RING SHAFT DIN 471-35x1,5	..3
80	2178836-1	1	PROPELLER SHAFT SHORT L=210 +/-24mm	.2
85	9000198-0	6	HEX.HD.BOLT ISO 4014-M12x65-8.8-A3C	.2
100	2178836-0	1	SLIDING SHAFT LONG L=354mm +70	.2
110	3802515-0	8	HEX.HD.SCR. ISO 4017-M10x20-8.8-A3C	.2



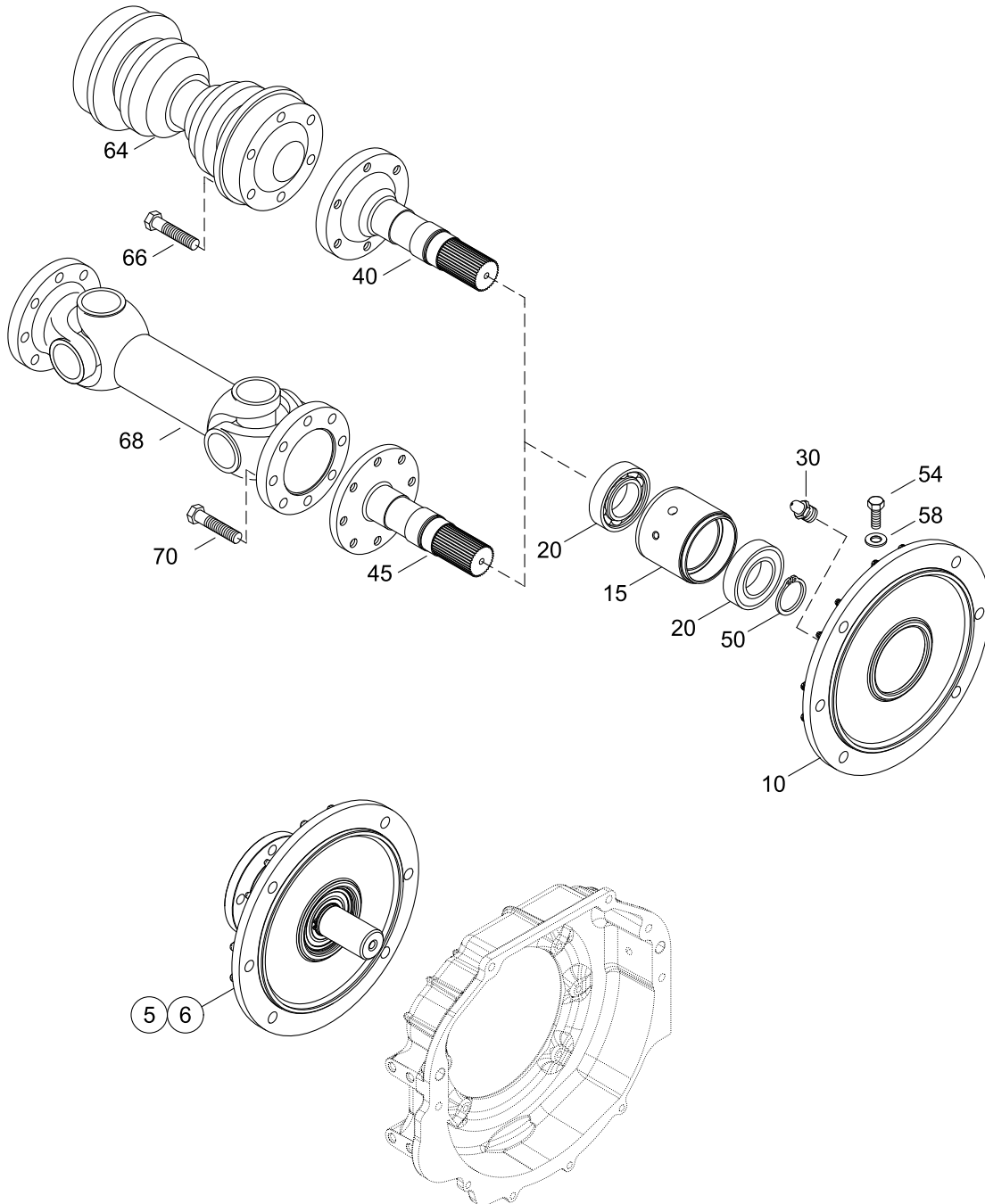


TA 0701

164 MARINE
TURBO DIESEL
+ SOLAS

TRANSMISSION-SHAFT, PTO-SHAFT (ALU)

07016184-0



ALU - HOUSING



TRANSMISSION-SHAFT, PTO-SHAFT (ALU)	164 MARINE TURBO DIESEL + SOLAS
--	---

07016184-0

Pos.	Part.-No.	Qty	Designation	Step
5	Z002098-0	1	ADAPTER SHAFT ASSY. - 6-HOLES (PAINTED)	.2
6	Z002099-0	1	ADAPTER SHAFT ASSY. - 8-HOLES (PAINTED)	.2
10	2178815-1	1	ADAPTER HOUSING JET (ALU CASTING)	..3
15	2179328-0	1	BEARING RETAINER	..3
20	3311181-0	2	DEEP GROOVE BALL BEARING DIN 625-RS1	..3
30	3963112-0	1	LUBRICATING NIPPLE, CONE DIN 71412-AM8x1-A3F	..3
40	2178814-0	1	ADAPTER SHAFT ENGINE-PROPULSION (6-HOLES)	..3
45	2178814-1	1	ADAPTER SHAFT ENGINE-PROPULSION (8-HOLES)	..3
50	3933251-0	1	RETAINING RING SHAFT DIN 471-35x1,5	..3
54	3802442-0	2	HEX.HD.SCR. ISO 4017-M8x40-8.8-A2C	..3
58	O125134-0	2	WASHER LARGE	..3
64	2178836-1	1	PROPELLER SHAFT SHORT L=210 +/-24mm	.2
66	9000198-0	6	HEX.HD.BOLT ISO 4014-M12x65-8.8-A3C	.2
68	2178836-0	1	SLIDING SHAFT LONG L=354mm +70	.2
70	3802515-0	8	HEX.HD.SCR. ISO 4017-M10x20-8.8-A3C	.2



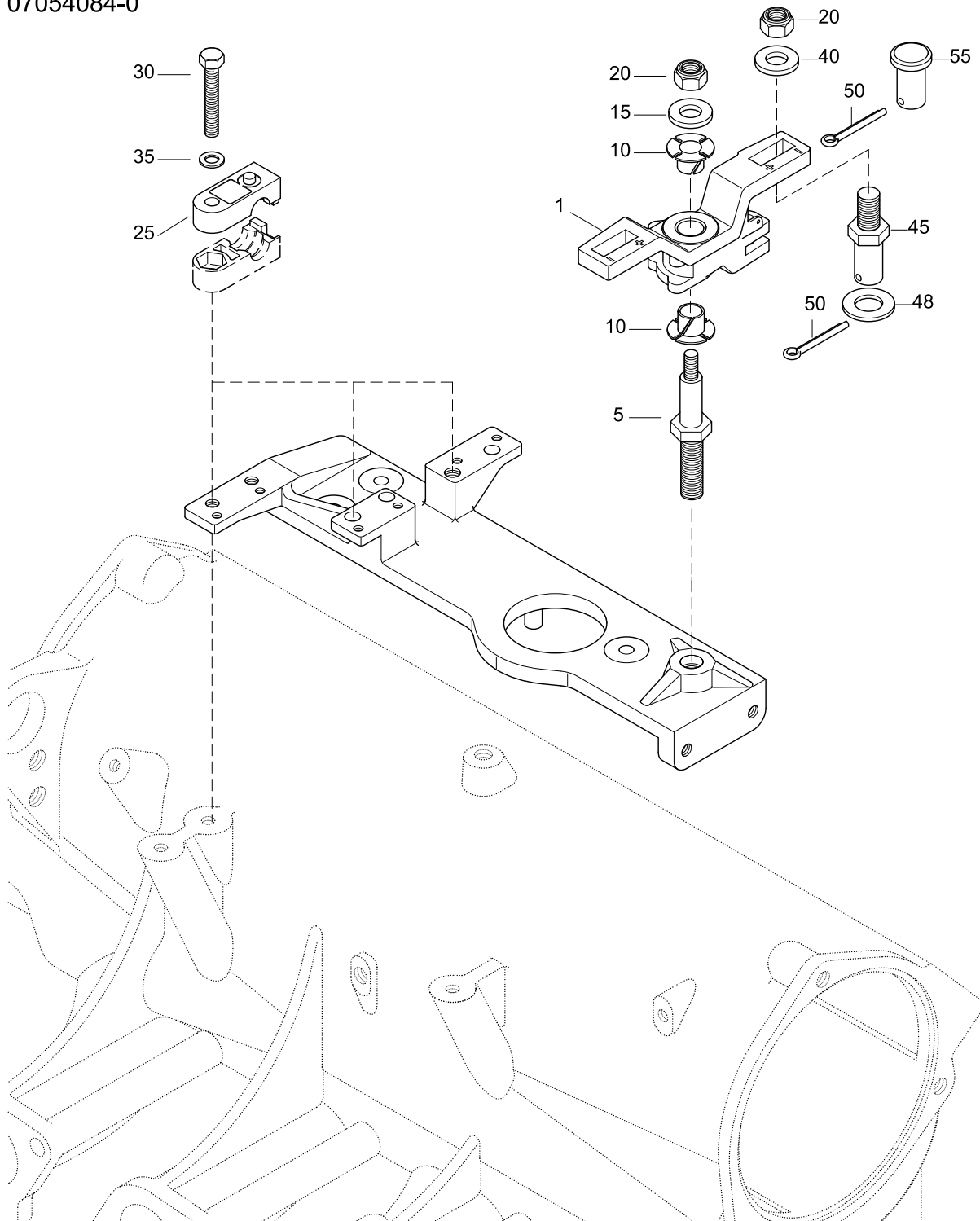


TA 0705

164 MARINE
TURBO DIESEL
+ SOLAS

TRANSMISSION GEAR SHIFT, CONTROLS

07054084-0





TRANSMISSION GEAR SHIFT, CONTROLS

164 MARINE
TURBO DIESEL
+ SOLAS

07054084-0

Pos.	Part.-No.	Qty	Designation	Step
1	O915911-0	1	CONTROLLEVER	.2
5	O914626-0	1	STUDCONTROLLEVER	.2
10	O311015-0	2	BUSHING	.2
15	O328738-0	1	PLAIN WASHER 1/4	.2
20	O121731-0	2	NUT, LOCK 1/4-28 SST	.2
25	O913795-0	4	CLAMP BOWDEN WIRE	.2
30	3800222-0	2	HEX.HD.SCR. ISO 4017-M6x35-A2-70	.2
35	3930070-0	2	WASHER DIN 125-6-140HV-A2	.2
40	O328703-0	1	PLAIN WASHER 1/4x5/8 SST	.2
45	O914727-0	1	STUD BOLT	.2
48	O304051-0	1	WASHER, SHIFT CABLE	.2
50	O305650-0	2	COTTER PIN	.2
55	O913791-0	1	BOLT	.2



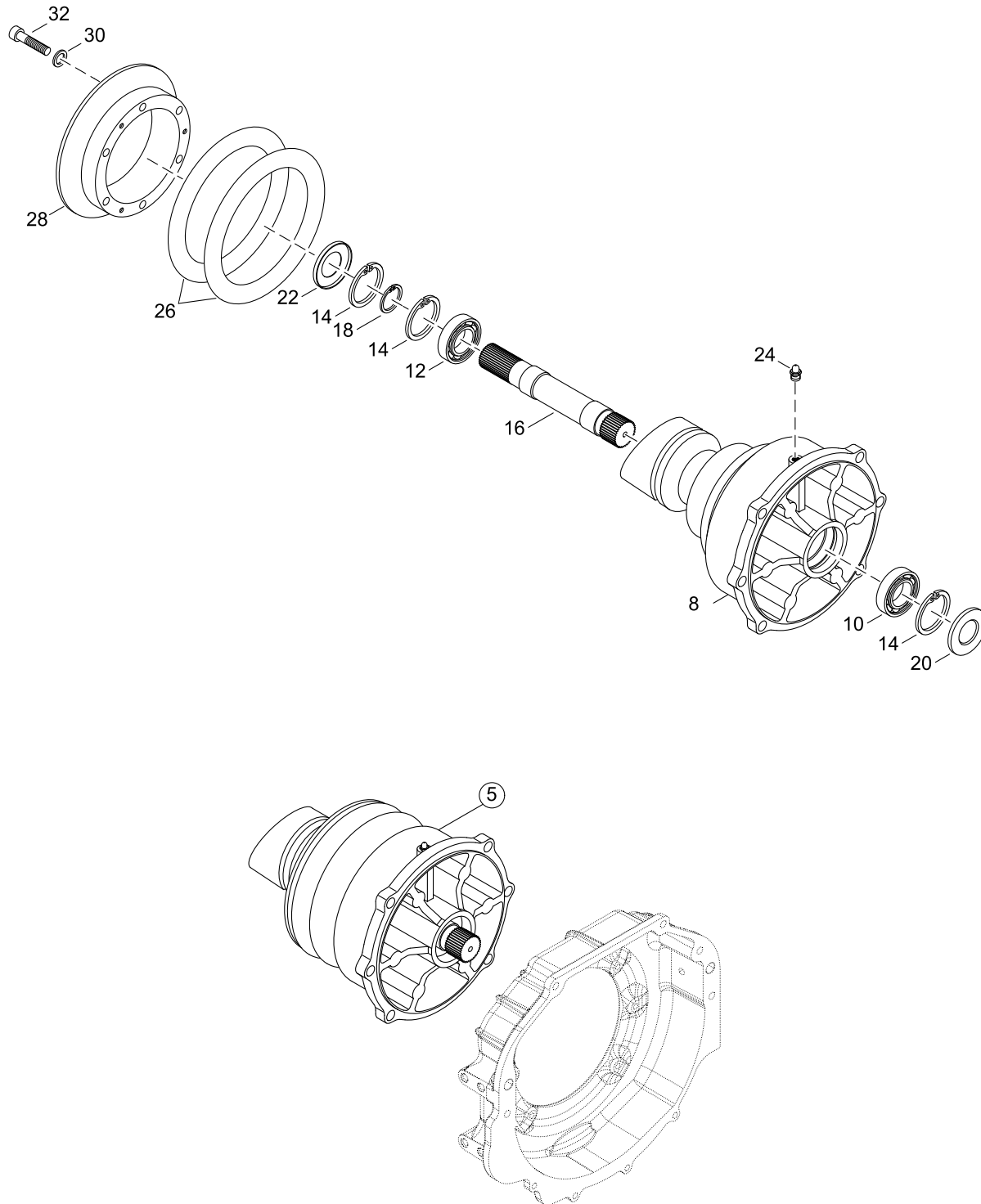


TA 0720

164 MARINE
TURBO DIESEL
+ **SOLAS**

**DRIVE ADAPTOR VOLVO STERNDRIVE
(ACCESSORY)**

07206084-0



**DRIVE ADAPTOR VOLVO STERNDRIVE
(ACCESSORY)**

164 MARINE
TURBO DIESEL
+ **SOLAS**

07206084-0

Pos.	Part.-No.	Qty	Designation	Step
5	2178819-0	1	ADAPTER VOLVO STERNDRIVE (PAINTED)	.2
8	2178817-0	1	ADAPTERHSG. VOLVO STERNDRIVE	..3
10	9000152-0	1	DEEP GROOVE BALL BEARING DIN 625-6007	..3
12	3311018-0	1	DEEP GROOVE BALL BEARING DIN 625-6206 RS1	..3
14	3934310-0	3	INTERIOR CIRCLIP DIN 472-62x2	..3
16	2178818-0	1	ADAPTER SHAFT VOLVO STERN DRIVE	..3
18	3933200-0	1	EXTERIOR CIRCLIP DIN 471-30x1.5	..3
20	9000153-0	1	RADIAL SEALING RING DIN 3760-35x62x7-AS	..3
22	9000153-1	1	RADIAL SEALING RING DIN 3760-35x62x7-A	..3
24	3963124-0	1	LUBRICATING NIPPLE, CONE DIN 71412-AM10x1-A3F	..3
26	2178821-0	2	O-RING 155 X 22	..3
28	2178820-0	1	FLANGE VOLVO STERN-DRIVE	..3
30	3930075-0	6	WASHER DIN 125 A10.5-140HV-A2	..3
32	9000185-1	6	HEX.SOCK. HD.CAP SCR. DIN 912-M10x100-A2-70	..3



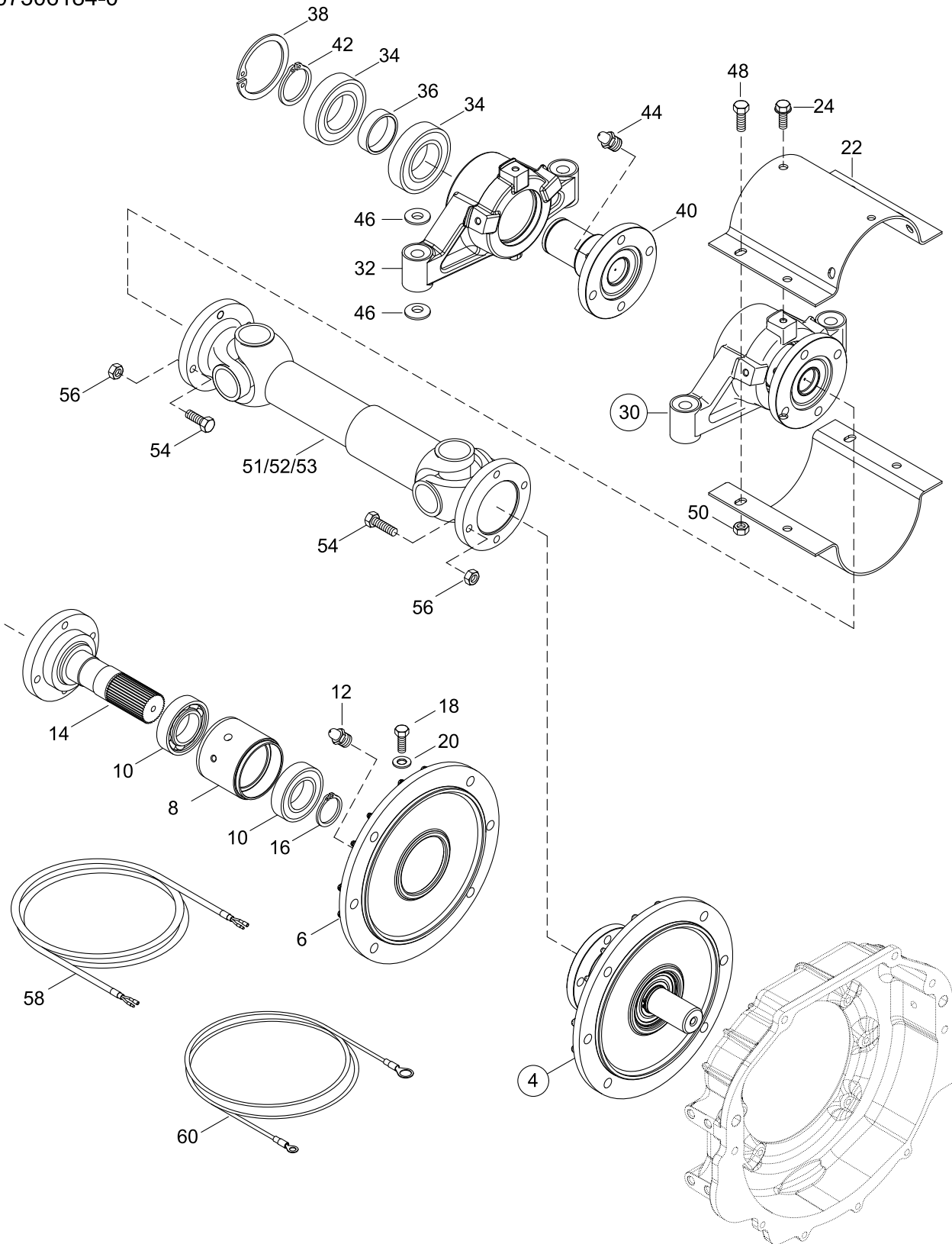


TA 0730

164 MARINE
TURBO DIESEL
+ **SOLAS**

**DRIVE SHAFT EXT. MERCURY STERNDRIVE
(ACCESSORY)**

07306184-0





**DRIVE SHAFT EXT. MERCURY STERNDRIVE
(ACCESSORY)**

164 MARINE
TURBO DIESEL
+ SOLAS

07306184-0

Pos.	Part.-No.	Qty	Designation	Step
4	Z002116-0	1	ADAPTER SHAFT ASSY. - MERCURY W.LENGTH BALANCE (PAINTED)	.2
6	Z002117-0	1	ADAPTER HOUSING - PAINTED (ALUCASTING)	..3
8	2179328-0	1	BEARING RETAINER	..3
10	3311181-0	2	DEEP GROOVE BALL BEARING DIN 625-RS1	..3
12	3963112-0	1	LUBRICATING NIPPLE, CONE DIN 71412-AM8x1-A3F	..3
14	2178814-2	1	ADAPTER SHAFT (MERCURY)	..3
16	3933251-0	1	RETAINING RING SHAFT DIN 471-35x1,5	..3
18	3802442-0	2	HEX.HD.SCR. ISO 4017-M8x40-8.8-A2C	..3
20	O125134-0	2	WASHER LARGE	..3
22	2179273-0	4	COVER PLATE	.2
24	9000305-0	6	HEX.FLANGE BOLT EN 1665-M8x20-10.9-DAC	.2
30	Z002118-0	1	BEARING BLOCK DRIVE SH. MERC. ASSY. (PAINTED)	.2
32	Z002119-0	1	BEARING BLOCK DRIVE SH. MERC. (PAINTED)	..3
34	9000486-0	2	DEEP GROOVE BALL BEARING DIN 625-6209 2RS1	..3
36	2179271-0	1	DISTANCE PLATE	..3
38	9000403-0	1	RETAINING RING BORE DIN 472-85x3	..3
40	Z002120-0	1	SHAFT-FLANGE DRIVE SHAFT MERC.	..3
42	3933350-0	1	RETAINING RING SHAFT DIN 471-45x1.75-BLANK	..3
44	3963112-0	1	LUBRICATING NIPPLE, CONE DIN 71412-AM8x1-A3F	..3
46	2179274-0	4	WASHER SPHERIC	.2
48	3802515-0	8	HEX.HD.SCR. ISO 4017-M10x20-8.8-A3C	.2
50	9000052-0	8	HEX.FLANGE NUT,PREVG.TOR. DIN 6927-M10-8-DAC A500	.2
51	Z002079-0	1	DRIVE SHAFT L=432mm & SCREWS	.2
52	Z002080-0	1	DRIVE SHAFT L=1000mm & SCREWS	.2
53	Z002081-0	1	DRIVE SHAFT L=1500mm & SCREWS	.2
54	9000066-0	8	HEX.HD.BOLT ISO 4017-M10x35-12.9	..3
56	9000052-0	8	HEX.FLANGE NUT,PREVG.TOR. DIN 6927-M10-8-DAC A500	..3
58	2179352-0	1	EXTENSION CABLE - TRIMSSENSOR 1,5m	.2
60	2179353-0	1	GROUND WIRE FLYW.HSG-TRANSOM 1,8m	.2





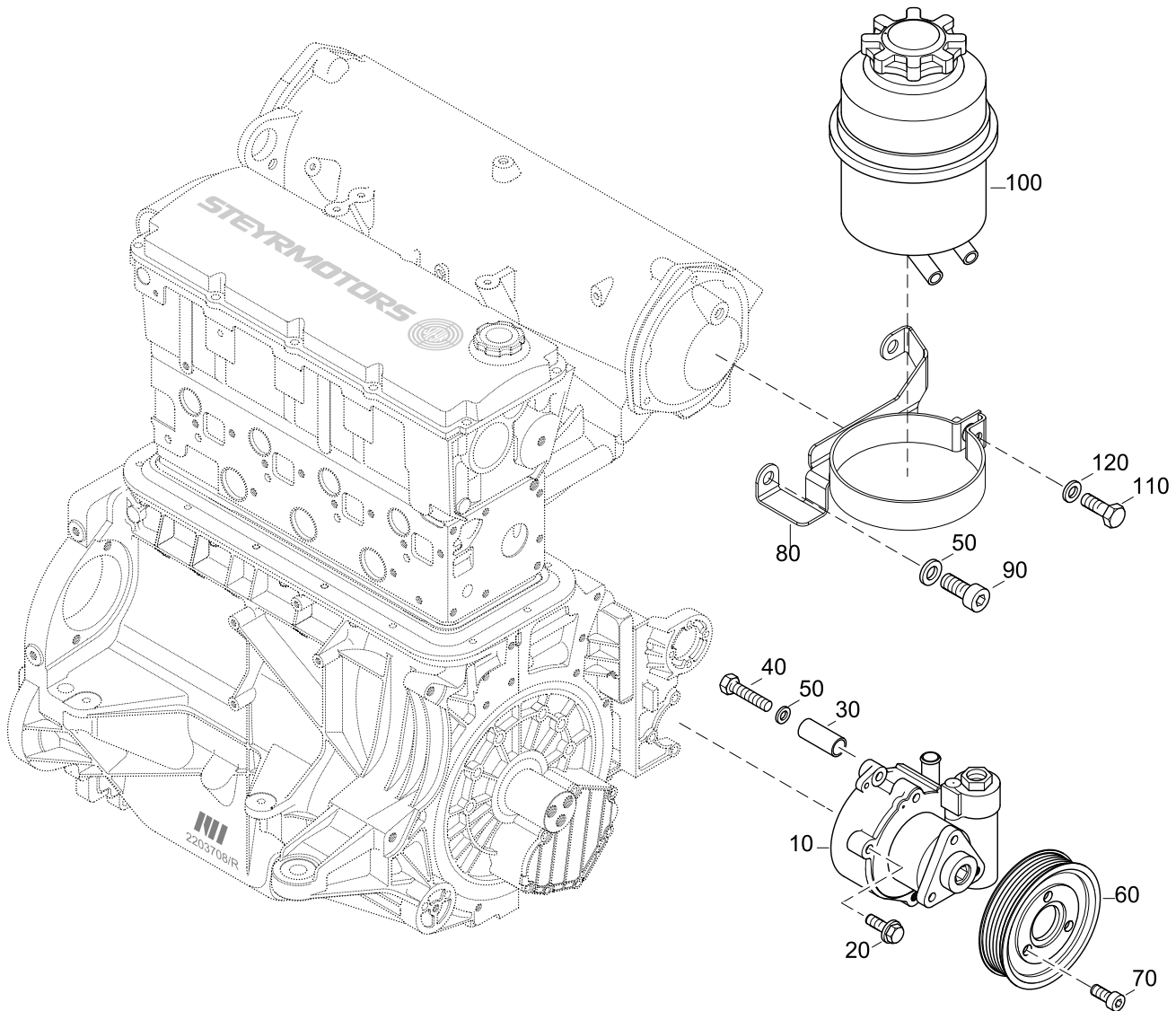
TA 1408



164 MARINE
TURBO DIESEL
+ SOLAS

HYDRAULIC PUMP

14084084-0





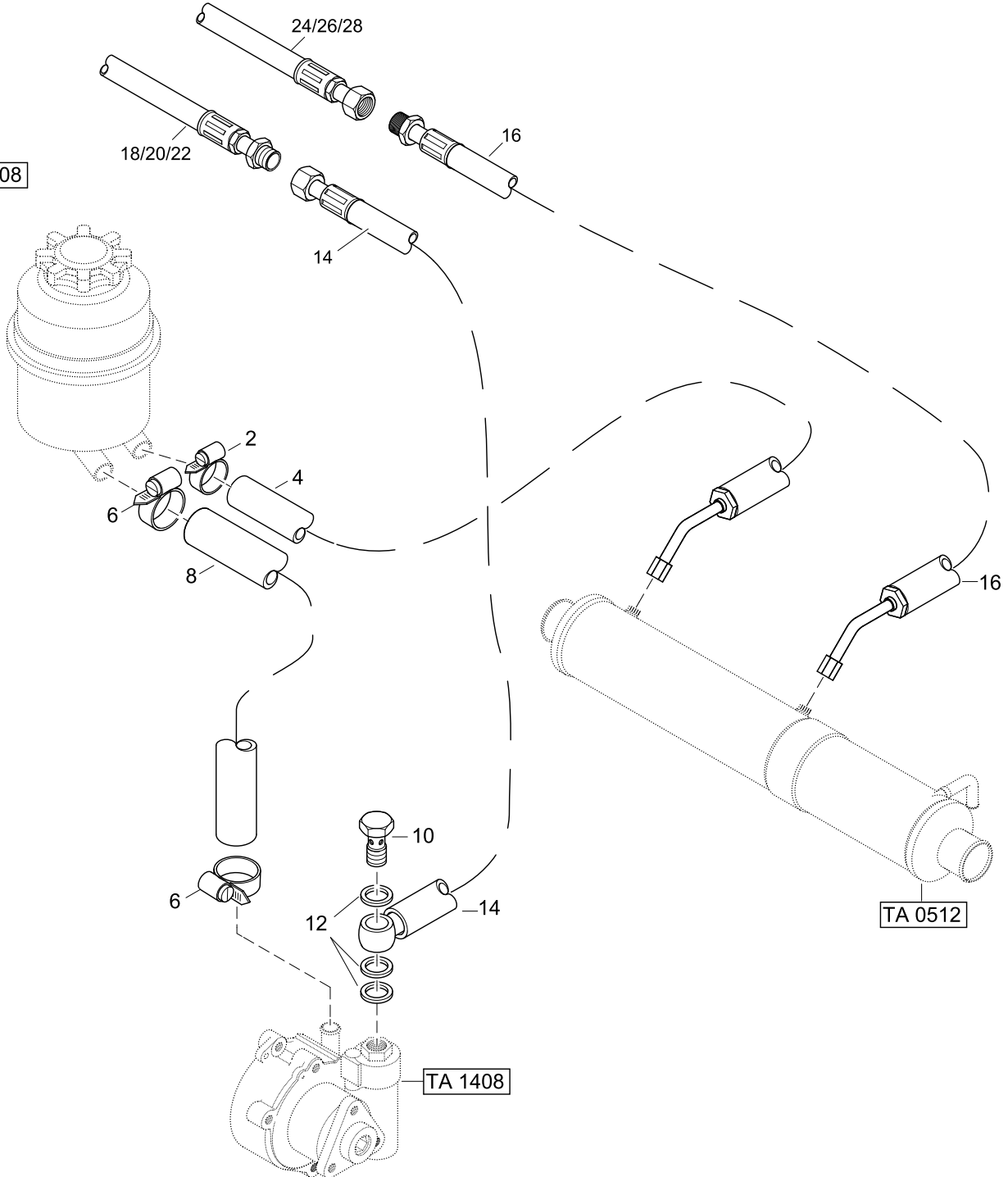
TA 1409

164 MARINE
TURBO DIESEL
+ SOLAS

HYDRAULIC PIPES

14094084-0

TA 1408



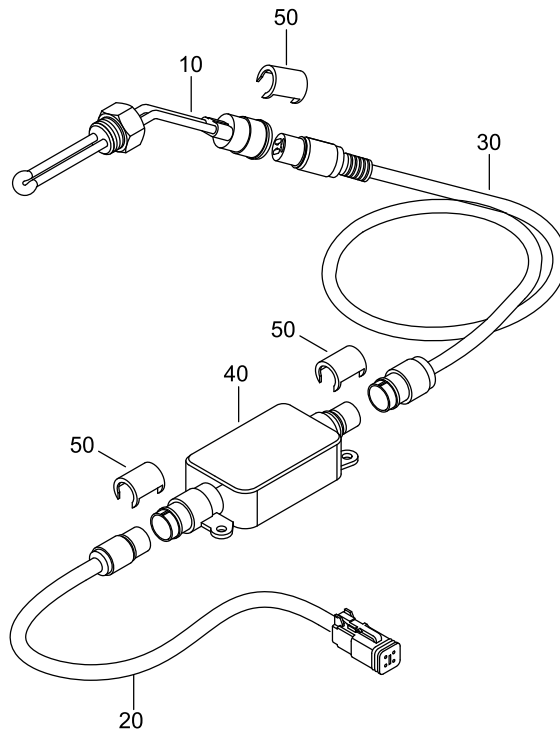
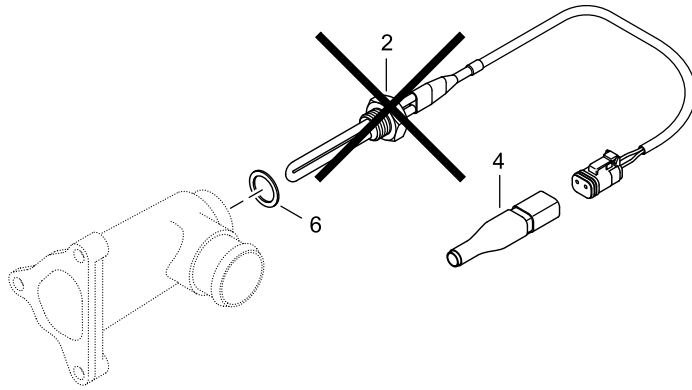


TA 2207

164 MARINE
TURBO DIESEL
+ SOLAS

**ENGINE PREHEATING
(ACCESSORY)**

22076184-0



ENGINE PREHEATING (ACCESSORY)	164 MARINE TURBO DIESEL + SOLAS
--	---

22076184-0

Pos.	Part.-No.	Qty	Designation	Step
2	Z002202-0	1	KIT BLOCK HEATING DEVICE 42V - 300W (RETROFITTING KIT)	.2
4	2178982-5	1	THERMO SWITCH, PREHEATING DEVICE	.2
6	3098026-0	1	SEALING RING DIN 7603-A22x27-CU	.2
10	2180393-0	1	BLOCK HEATING DEVICE 42V - 300W	.2
20	2180396-0	1	CABLE ENGINE PREHEATING DEVICE 0,5m	.2
30	2206318-0	1	CABLE ENGINE PREHEATING DEVICE, 2m	.2
40	2180395-0	1	THERMO SWITCH	.2
50	2180695-0	3	SAFETY LOCK	.2





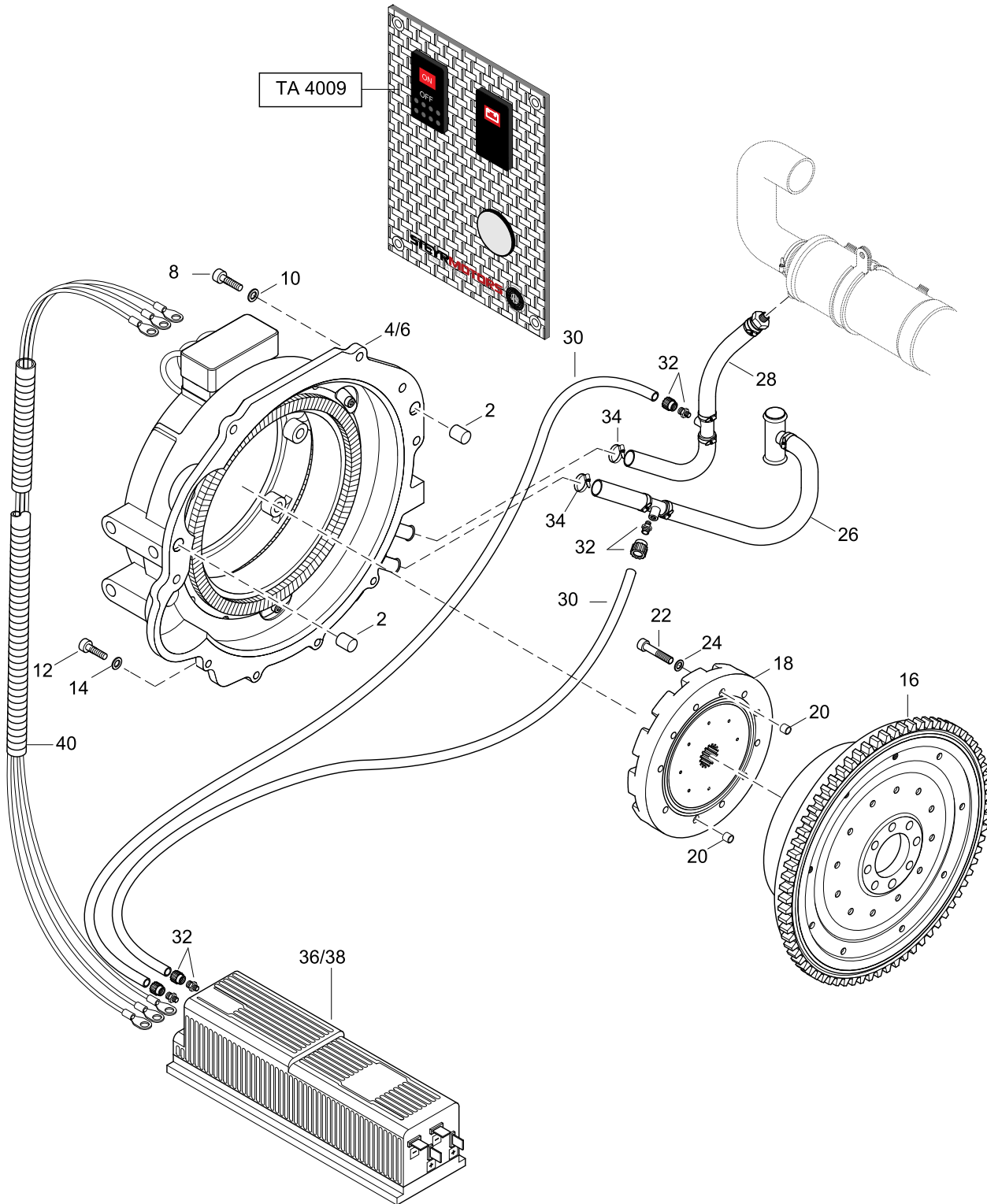
TA 4000



164 MARINE
TURBO DIESEL
+ **SOLAS**

**INTEGR. FLYWHEELGENERATOR (IFG)
(ACCESSORY)**

40004084-0





**INTEGR. FLYWHEELGENERATOR (IFG)
(ACCESSORY)**

164 MARINE
TURBO DIESEL
+ SOLAS

40004084-0

Pos.	Part.-No.	Qty	Designation	Step
2	9000490-0	2	PARALLEL PIN 16m6x22-ST	.2
4	Z002104-0	1	S.P.FLYWHEEL HSG. IFG 24V ASSY (PAINTED)	.2
6	Z002105-0	1	S.P.FLYWHEEL HSG. IFG 12V ASSY (PAINTED)	.2
8	3862545-0	5	HEX.SOCK. HD.CAP SCR. DIN 912-M10x35-A2-70	.2
10	3930075-0	5	WASHER DIN 125 A10.5-140HV-A2	.2
12	3862433-0	4	HEX.SOCK. HD.CAP SCR. DIN 912-M8x30-A2-70	.2
14	3930103-0	4	WASHER DIN 125-8.4-140HV-A2	.2
16	Z002430-0	1	S.P.FLYWHEEL 4 CYL. „IFG“ ASSY (BALANCED)	.2
18	Z002106-0	1	S.P. COUPLER „IFG“	.2
20	2203543-0	2	FITTING SLEEVE DM11 (TO M8)	.2
22	9000473-0	12	HEX.SOCK. HD.CAP SCR. DIN 912-M8x100-12.9-DAC A500	.2
24	3930103-0	12	WASHER DIN 125-8.4-140HV-A2	.2
26	Z002107-0	1	COOLING WATER HOSE ASSY. „IFG“ (RETURN)	.2
28	Z002108-0	1	COOLING WATER HOSE ASSY. „IFG“ (SUPPLY)	.2
30	2179298-0	2	HOSE 8x1.25 L=2000mm	.2
32	2179297-0	4	FAST SCREW CONNECTION	.2
34	2178655-0	8	SCHLAUCHSCHELLE 12-20/9	.2
36	Z002110-0	1	ELECTR.CONTROL SYSTEM IFG 24V	.2
38	Z002111-0	1	ELECTR.CONTROL SYSTEM IFG 12V	.2
40	Z002112-0	1	KIT CONNECTING CABLE IFG	.2



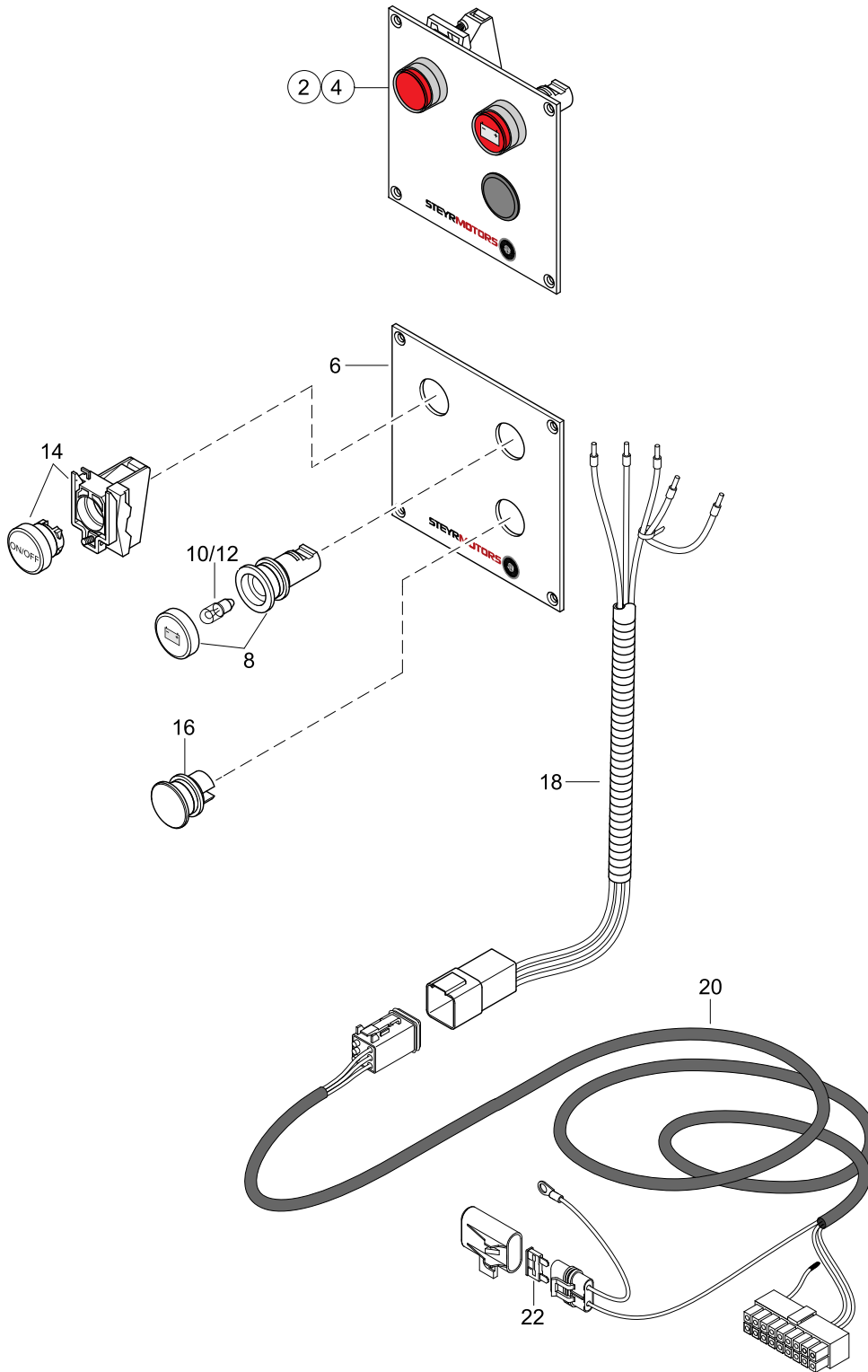


TA 4009

164 MARINE
TURBO DIESEL
+ SOLAS

**PUSH BUTTON PANEL „IFG“
TILL -->2010**

40096184-0



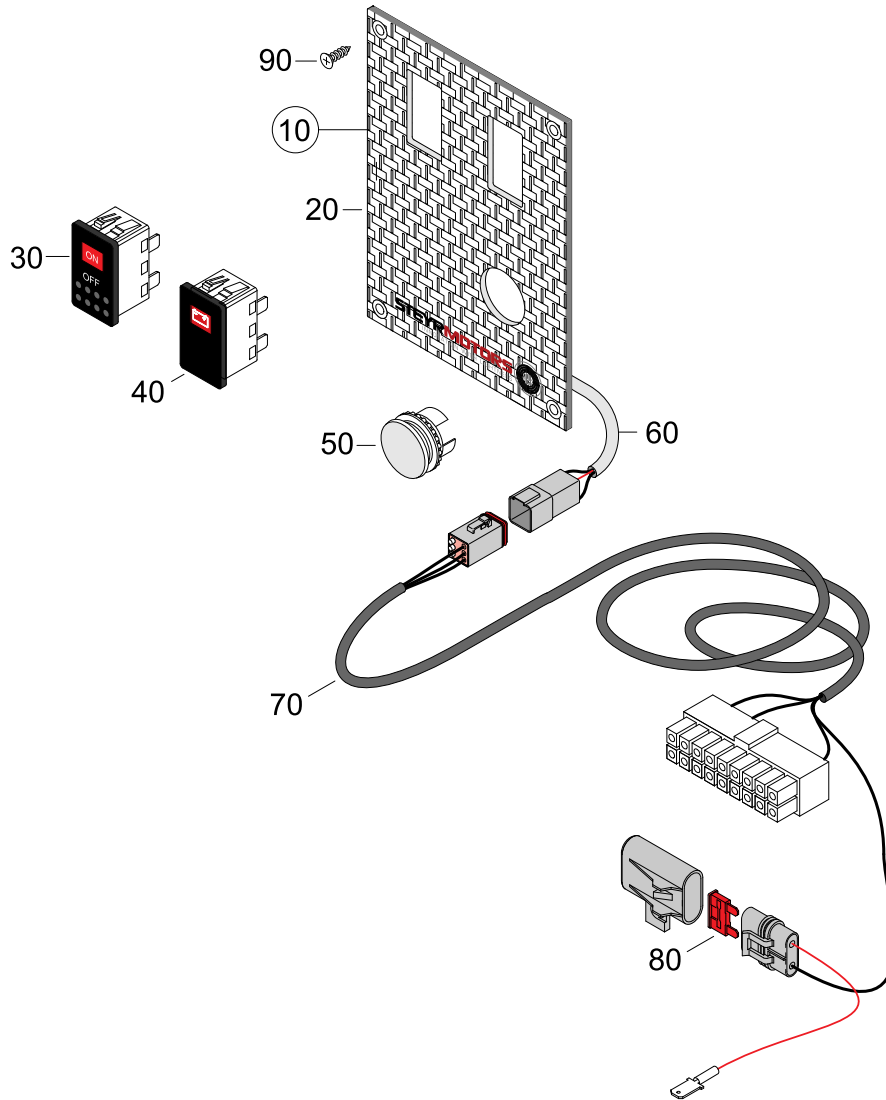


TA 4009

164 MARINE
TURBO DIESEL
+ SOLAS

PUSH BUTTON PANEL „IFG“
FROM 2010-->

40096184-1



PUSH BUTTON PANEL „IFG“ FROM 2010-->	164 MARINE <small>TURBO DIESEL</small> + SOLAS
--	--

40096184-1

Pos.	Part.-No.	Qty	Designation	Step
10	2179968-0	1	PUSH BUTTON PANEL IFG (LED)	.2
20	2180092-0	1	INSTRUMENT PANEL IFG	.3
30	Z002199-0	1	IGNITION SWITCH	.3
40	Z002197-0	1	WARNING LED, BATTERY CHARGE	.3
50	2179320-0	1	BLIND PLUG, BLACK	.3
60	2206298-0	1	WIRING HARNESS ASSY. IFG-PANEL	.3
70	2206299-0	1	CONNE. CABLE AY. 8m IFG-PANEL	.3
80	11345	1	FUSE 10A, RED	.3
90	9000817-0	4	CR.REC.COUNT.SUNKHD.TPG.SCR. 3.5x16	.3



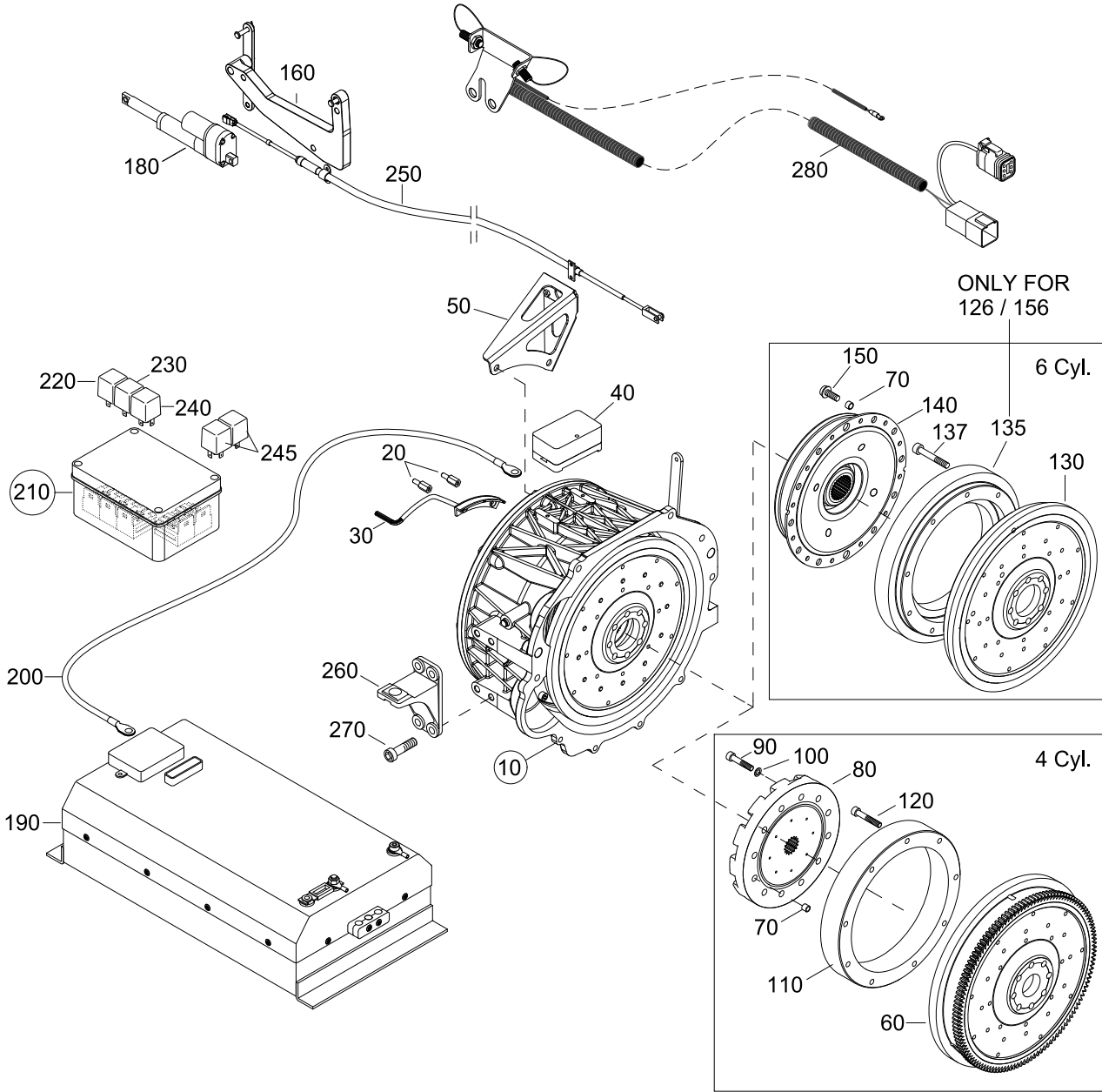


TA 4100

164 MARINE
TURBO DIESEL
+ SOLAS

HYBRID

41006184-0



HYBRID	164 MARINE TURBO DIESEL + SOLAS
---------------	---

41006184-0

Pos.	Part.-No.	Qty	Designation	Step
10	Z002171-0	1	ELECTRIC MOTOR ASSY.	.2
20	2179623-1	2	DISTANCE BOLT	..3
30	Z002173-0	1	HALL SENSOR ASSY.	..3
40	2179758-0	1	CONNECTION PLATE	..3
50	2180122-0	1	GEAR SHIFT BRACKET	..3
60	2203870-0	1	FLYWHEEL ASSY. RW	.2
70	2203543-0	2	FITTING SLEEVE	.2
80	Z002106-0	1	S.P. COUPLER	.2
90	9000520-0	12	HEX.SOCK.HD.CAP SCR. ISO 4762-M8x50-10.9-DAC	.2
100	3930103-0	12	WASHER DIN 125-8.4-140HV-A2	.2
110	2180415-0	1	FLYWHEEL MASS	.2
120	3862462-0	9	HEX.SOCK.HD.CAP SCR. DIN 912-M8x60-8.8-A2C	.2
130	2177734-N	1	FLYWHEEL ASSY. RW	.2
135	2180522-0	1	FLYWHEEL MASS	.2
137	3862452-0	9	HEX.SOCK.HD.CAP SCR. DIN 912-M8x50-8.8-A2C	.2
140	Z026060-0	1	S.P. COUPLER	.2
150	9000685-0	12	LOCKING SCREW-M8x16-10.9	.2
160	2179739-1	1	CONTROL BRACKET ASSY.	.2
180	Z002174-0	1	CONTROL MOTOR, CLUTCH	.2
190	Z002195-0	1	ELECTR.CONTROL SYSTEM	.2
200	Z021009-0	3	CONNECTING CABLE	.2
210	Z002175-0	1	RELAIS BOX ASSY.	.2
220	2179961-0	1	PROGRAMMED RELAIS, A12	..3
230	2179960-0	1	PROGRAMMED RELAIS, A11	..3
240	2179959-0	1	PROGRAMMED RELAIS, A10	..3
245	9000183-0	2	RELAY 12V 40A	..3
250	Z002178-0	1	GEAR SHIFT CABLE ASSY.	.2
260	2178722-1	2	BRACKET FLYWHEEL HOUSING	.2
270	9000081-0	8	HEX.SOCK.HD.CAP SCR. DIN 912-M12x35-8.8-A3C	.2
280	Z026154-0	1	POSITION SENSORS ASSY. (SPARE PART)	.2





TA 6012

164 MARINE
TURBO DIESEL
+ SOLAS

**HEATING UNIT, CIRCULATION PUMP
(ACCESSORY)**

60124084-0

